

TECHNICAL SERVICE BULLETIN

Date: 06/28/95

merit industries, inc.

- Problem:** JCM Black Stallion bill acceptor not accepting bills.
- Games affected:** All games with JCM Black Stallion bill acceptors.
- Symptoms:** Not taking bills, lights flashing.
- Cause:** Bad program EPROM.
- Solution:** Update EPROM in Black Stallion bill acceptor. Available from JCM at 1-800-683-7248, your local distributor or Merit Customer Service at 1-800-445-9353.

Refer to Figure 1 for all instructions.

1. Remove the face plate screws and the face plate
2. Remove the screws holding the lid and remove the lid.
3. Remove the existing EPROM.
1. Install the new EPROM being careful to align the notch on the EPROM with the notch on the board.

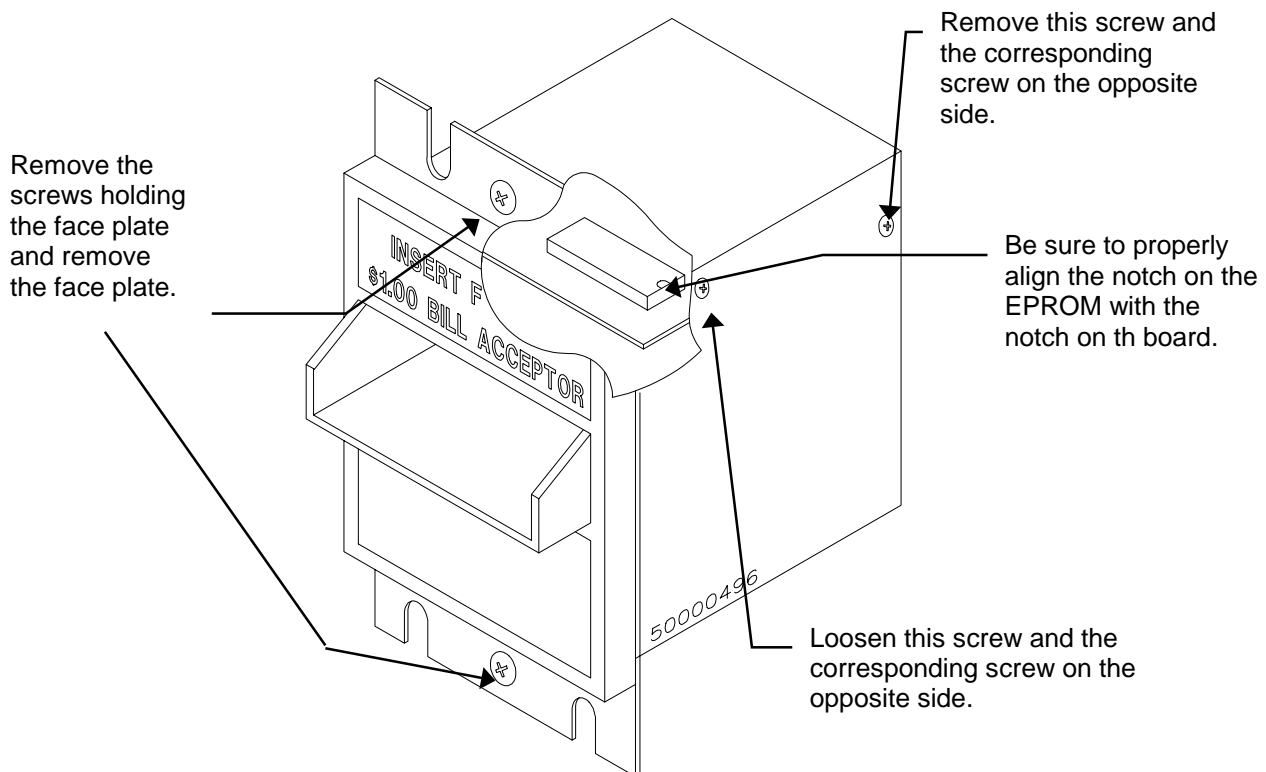


Figure 1 - Location of EPROM in JCM Black Stallion Bill Acceptor