

ATTENTION:

OBSERVE PRECAUTIONS FOR HANDLING ELECTROSTATIC DEVICES

Removal/Installation of Touchscreen - Blue MAXX/MAXX Classic Countertop

Touchscreen Removal

1. Turn off and unplug the game.
2. Unlock and remove the coin box or coin box/bill acceptor assembly.
3. Unlock and remove the lid by first disconnecting the fan power connector, then the clear drainage tubing (from lid end) and ground strap. Also remove the monitor control board attached with velcro to the inside of the game. Then press up on the spring-loaded levers (located on each side of the lid), push the levers forward, and lift and remove the lid. Also remove the front bezel. See Figures 1 and 2.
4. Remove the two nuts and washers securing the touchscreen controller to the game and remove the controller from the mounting screws. Then disconnect the touchscreen controller cable from the back of the controller and disconnect the Molex connector (orange and gray wires) running from the touchscreen controller cable to the main power harness.
5. Remove the black poly tape from around the edges of the old touchscreen. Remember how the tape was placed in order to tape the new touchscreen.
6. Use dental floss to carefully cut the foam tape holding the touchscreen to the picture tube until you are able to completely remove the touchscreen.
7. Remove any remaining adhesive residue with denatured alcohol, then wipe the surface of the picture tube with the supplied alcohol wipe.

Touchscreen Installation

1. Clean the reverse side of the replacement touchscreen with the supplied alcohol wipe.
2. If there is no tape already on the screen, cut pieces of the supplied 1/2" double-sided foam tape long enough to cover each edge of the screen without overlapping. After the tape is in place on the screen, peel off the backing.
3. Replace the new touchscreen over the picture tube (with the cable on the right if you are facing the game), making sure the screen is properly and evenly aligned over the picture tube. Then clean the front of the screen with the supplied alcohol wipe.
4. Remembering the manner in which the tape was placed around the touchscreen you removed, place and cut a length of the supplied black poly tape evenly over an entire edge of the touchscreen and repeat until all 4 edges are covered.
5. Place and cut a longer length of black poly tape around all 4 edges of the screen.
6. Route the new touchscreen controller cable under the picture tube and away from the flyback transformer. Then reconnect the cable in the back of the controller and secure the controller on the mounting screws in the game with the existing hardware. Also connect the Molex connector (orange and gray wires) to the main power harness.

NOTE: Use the supplied roll of 3/8" foam tape (the thicker of the two 3/8" rolls) if you need to replace the gasket on the inside of the front bezel. Be sure to remove all of the existing foam tape and adhesive first.

ATTENTION:

OBSERVE PRECAUTIONS FOR HANDLING ELECTROSTATIC DEVICES

**Removal/Installation of Touchscreen -
Blue MAXX/MAXX Classic Countertop**

7. After replacing the front bezel, install the lid on the chassis, connecting the fan power connector, monitor control board, ground strap, and plastic drain tube. Then pull the lid towards you until the spring-loaded levers lock into place. See Figures 1 and 2 for locations.
8. Close and lock the lid.
9. Plug in and turn on the game.
10. When the game is finished booting, calibrate the touchscreen.
11. Replace and lock the coin box or coin box/bill acceptor assembly.

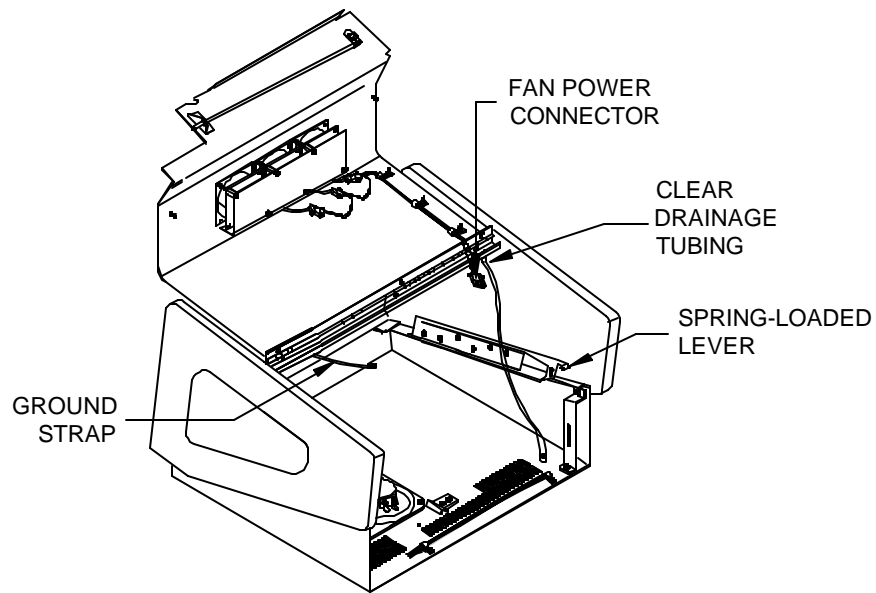


FIGURE 1 - BLUE MAXX/MAXX CLASSIC - HOOD ASSEMBLY

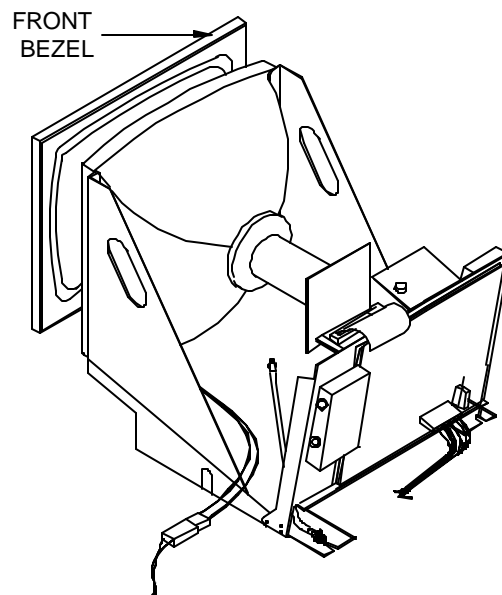


FIGURE 2 - BLUE MAXX/MAXX CLASSIC - MONITOR ASSEMBLY