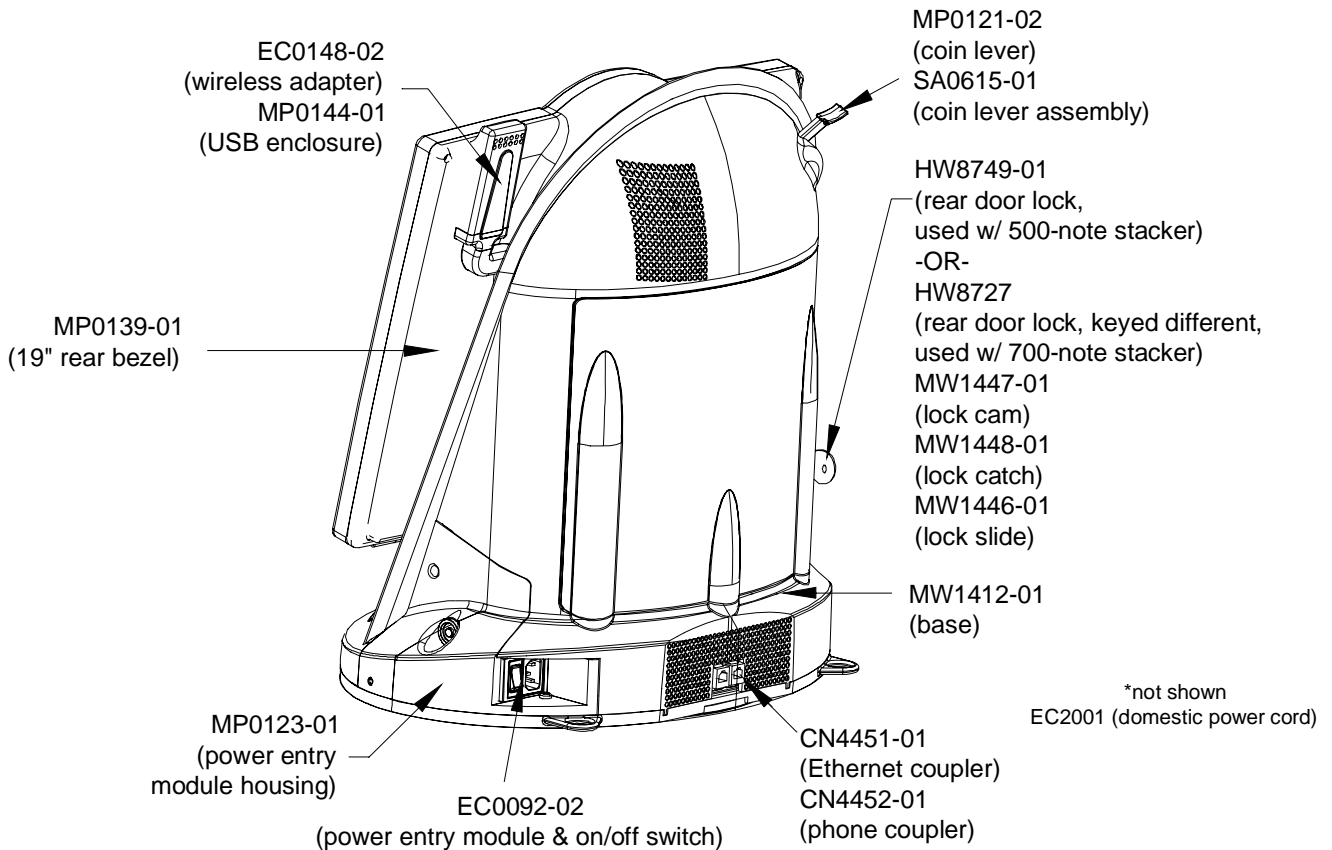
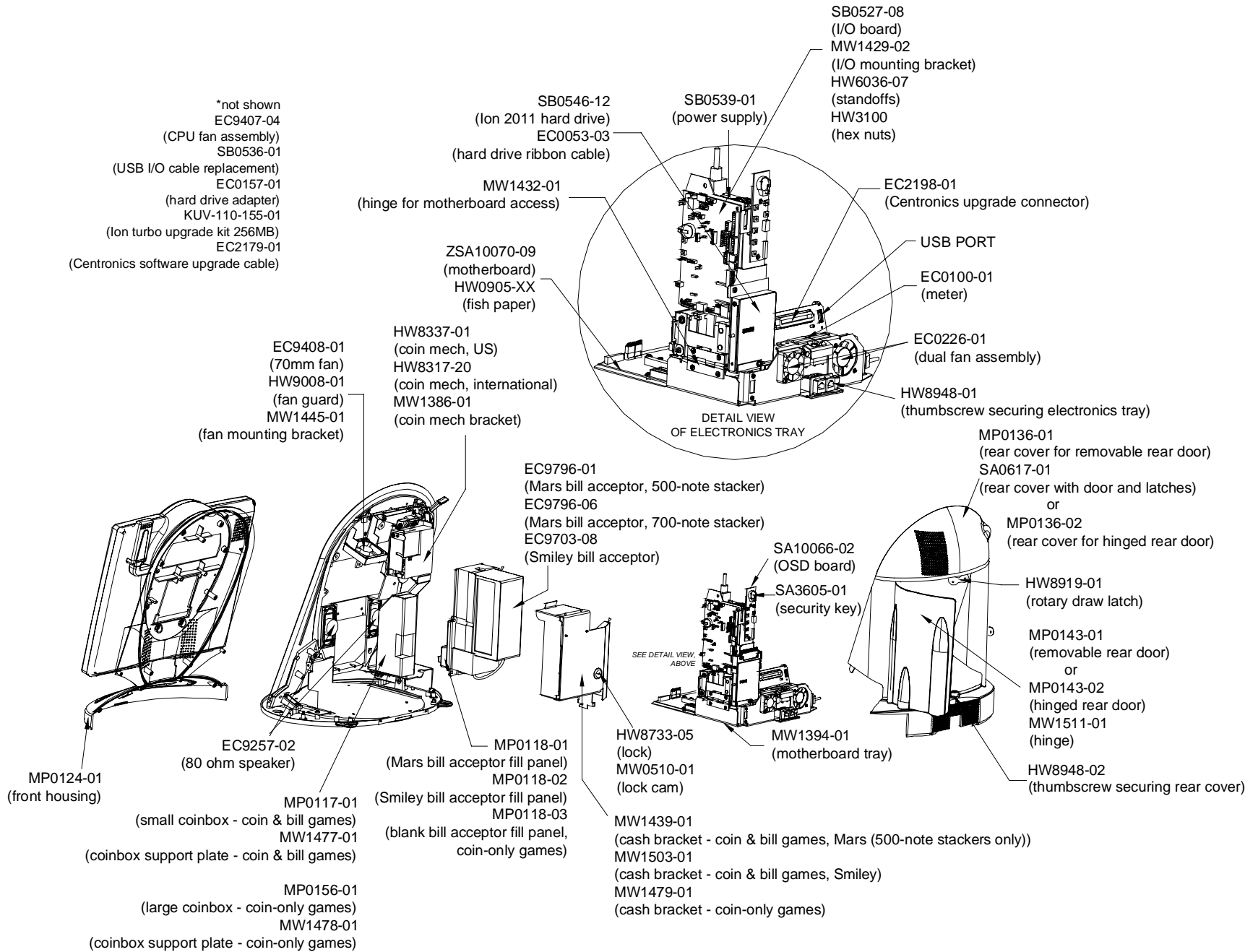


FRONT VIEW OF STANDARD ION AURORA



REAR VIEW OF STANDARD ION AURORA

EXPLODED VIEW OF THE STANDARD ION AURORA



ION AURORA PARTS LIST

Item	Description
CN4451-01	ETHERNET COUPLER
CN4452-01	PHONE COUPLER
EC0053-03	18", 40-PIN, 80-CONNECTOR, ATA100 RIBBON CABLE
EC0092-02	POWER ENTRY MODULE & ON/OFF SWITCH
EC0093-01	3" DC LCD POWER CABLE
EC0096-04	40" VGA CABLE
EC0097-01	21" ON-SCREEN DISPLAY CABLE
EC0100-01	12-VOLT SNAP-IN MOUNTING METER
EC0148-02	USB WIRELESS ADAPTER
EC0157-01	2.5" HARD DRIVE IDE ADAPTER
EC0226-01	DUAL FAN ASSEMBLY
EC0332-02	USB DONGLE LIGHT SHOW & SET UP & CALABRATE CABLE
EC0351-01	32" USB TOUCHSCREEN CONTROLLER CABLE
EC2001	POWER CORD - USA
EC2179-01	CENTRONICS SOFTWARE UPGRADE CABLE
EC9257-02	FLAT 8 OHM SPEAKER FOR AURORA
EC9407-04	CPU FAN ASSEMBLY
EC9408-01	70MM, 12V, 23 CFM FAN
EC9703-08	SMILEY BILL ACCEPTOR
EC9796-01	\$1, \$2 & \$5 BILL ACCEPTOR WITH 500-NOTE STACKER
EC9796-06	\$1, \$2 & \$5 BILL ACCEPTOR WITH 700-NOTE STACKER
GL0073-10	MEGATOUCH MARQUEE SIGN
HW0905-03	ASUS MOTHERBOARD INSULATOR (FISH PAPER)
HW3100	#6-32 HEXNUT FOR I/O MOUNTING PLATE STANDOFF
HW6036-07	#6-32 x 1.25L x .25 HEX STANDOFF M<F FOR I/O MOUNTING PLATE
HW8018-06	11-1/2"OD ANTI-SKID PAD
HW8317-XX	INTERNATIONAL/CANADIAN ELECTRONIC COIN MECH
HW8337-01	DOMESTIC MECHANICAL COIN MECH
HW8727	KEYED DIFFERENT CAM LOCK, 1-1/8" BARREL, CAPTIVE KEY (FOR REAR DOOR), USED W/700-NOTE STACKER
HW8733-05	KEYED DIFFERENT CAM LOCK, 7/8"L BARREL WITHOUT CAM, CAPTIVE KEY (FOR CASH DOOR)
HW8749-01	564 REAR DOOR LOCK, 1-1/8"L BARREL WITHOUT CAM, USED W/500-NOTE STACKER
HW8919-01	ROTARY DRAW LATCH INSIDE REAR COVER
HW8948-02	0.73L SLOTTED CAPTIVE THUMBSCREW (FOR REAR COVER)
HW8993-04	12" DIAM. 15" STOPS LAZY SUSAN
HW9008-01	70mm FAN GUARD
KSV-112-006-01	AURORA LED REPLACEMENT KIT
KUV-110-155-01	KIT - ION TURBO UPGRADE 256MB
MP0117-01	SMALL PLASTIC COINBOX (COIN-AND-BILL GAMES)
MP0118-01	MARS BILL ACCEPTOR FILL PANEL
MP0118-02	SMILEY BILL ACCEPTOR FILL PANEL
MP0118-03	BLANK FILL PANEL (COIN-ONLY GAMES)
MP0121-02	COIN LEVER
MP0123-01	POWER ENTRY MODULE HOUSING
MP0124-01	FRONT HOUSING
MP0133-01	17" FRONT BEZEL
MP0136-01	REAR COVER FOR REMOVABLE REAR DOOR
MP0136-02	REAR COVER FOR HINGED REAR DOOR
MP0138-01	19" FRONT BEZEL
MP0139-01	19" REAR BEZEL
MP0143-01	REMOVABLE REAR DOOR
MP0143-02	HINGED REAR DOOR
MP0144-01	USB ENCLOSURE
MP0149-01	17" MARQUEE COVER
MP0150-01	19" MARQUEE COVER
MP0156-01	LARGE PLASTIC COIN BOX (COIN-ONLY GAMES)
MW0510-01	LOCK CAM (FOR CASH DOOR)
MW1386-01	COIN MECH BRACKET
MW1389-01	17" RIGHT LCD MOUNTING BRACKET
MW1389-02	17" LEFT LCD MOUNTING BRACKET
MW1394-01	MOTHERBOARD TRAY
MW1412-01	AURORA BASE
MW1429-02	I/O MOUNTING BRACKET
MW1432-01	MOTHERBOARD ACCESS HINGE
MW1439-01	DOMESTIC COIN-AND-BILL SECURITY BRACKET (FOR COIN-AND-BILL GAMES)

ION AURORA PARTS LIST

Item	Description
MW1441-01	19" RIGHT LCD MOUNTING BRACKET
MW1441-02	19" LEFT LCD MOUNTING BRACKET
MW1441-03	17" LCD HINGE
MW1445-01	70mm FAN MOUNTING BRACKET
MW1446-01	LOCK SLIDER (DOOR)
MW1447-01	LOCK CAM (DOOR)
MW1448-01	LOCK CATCH (DOOR)
MW1477-01	COIN BOX SUPPORT PLATE (COIN & BILL GAMES)
MW1478-01	COIN BOX SUPPORT PLATE (COIN-ONLY GAMES)
MW1479-01	COIN BOX SECURITY BRACKET (COIN-ONLY GAMES)
MW1499-01	FRONT BEZEL LATCH
MW1503-01	INTERNATIONAL COIN & BILL SECURITY BRACKET (FOR COIN & BILL GAMES)
MW1511-01	9"L x 0.75"W BLACK HINGE (FOR REAR DOOR)
PA0086-XX	CONFIGURED ION MODEM
SA0603-02	17" LCD & TOUCHSCREEN
SA0604-02	17" LCD W/BRACKETS & CABLING
SA0608-01	19" LCD & TOUCHSCREEN
SA0609-01	19" LCD W/BRACKETS & CABLING
SA0613-01	HALO GLASS
SA0614-01	JOYSTICK ASSEMBLY
SA0615-01	COIN LEVER ASSEMBLY
SA0617-01	REAR COVER WITH DOOR AND LATCHES
SA10066-02	OSD SMART PANEL (MONITOR CONTROL BOARD)
SA3508-01	PLAYER KEY
SA3605-01	ION 2011 SECURITY KEY
SB0016-01	KIT TOUCHSCREEN TAPE
SB0470-02	KEY READER (PLAYER KEY SOCKET) ASSEMBLY
SB0477-01	USB TOUCHSCREEN CONTROLLER
SB0527-08	I/O BOARD
SB0532-01	17" TOUCHSCREEN
SB0533-01	19" TOUCHSCREEN
SB0536-01	USB I/O CABLE REPLACEMENT
SB0539-01	KIT 300W AURORA POWER SUPPLY
SB0546-12	2.5" ION 2011 HARD DRIVE PROGRAM ASSEMBLY
ZSA10070-09	ION ASUS MOTHERBOARD