

## **ATTENTION:**

OBSERVE PRECAUTIONS FOR HANDLING ELECTROSTATIC DEVICES

### **Removal/Installation of Touchscreen - FORCE Upright w/ Coin Door**

#### **Touchscreen Removal**

1. Turn off and unplug the game.
2. Remove the bezel by removing the 2 wing nuts inside the CPU door along the bottom of the bezel and the 3 wing nuts inside the game along the top piece (after removing the rear door). Then disconnect the 2 speaker connectors inside the game on either side of the marquee before lifting the bezel from the game.
3. Remove the black poly tape (see Figure 1) from around the edges of the old touchscreen, keeping the manner in which the tape was placed around the screen in mind.
4. Remove the two nuts and washers securing the touchscreen controller to the game and remove the controller from the mounting screws. Then disconnect the cable from the back of the controller and disconnect the Molex connector (orange and gray wires) running from the touchscreen controller cable to the main power harness.
5. Use dental floss to carefully cut the foam tape holding the touchscreen to the picture tube until you are able to completely remove the touchscreen.
6. Remove any remaining adhesive residue with denatured alcohol, then wipe the surface of the picture tube with the supplied alcohol wipe.

#### **Touchscreen Installation**

1. Clean the reverse side of the replacement touchscreen with the supplied alcohol wipe.
2. Peel the backing from the 8 pieces of double-sided foam tape already adhered to the reverse side of the touchscreen.
3. Replace the new touchscreen over the picture tube (with the cable on the right if you are facing the game), making sure the screen is properly and evenly aligned over the picture tube. Then clean the front of the screen with the supplied alcohol wipe.
4. Connect the new touchscreen controller cable in the back of the controller and secure the controller on the mounting screws in the game with the existing hardware. Also connect the Molex connector (orange and gray wires) to the main power harness.
5. Remembering the manner in which the tape was placed around the touchscreen you removed, place and cut a length of the supplied black poly tape evenly over an entire edge of the touchscreen and repeat until all 4 edges are covered.
6. Place and cut a longer length of black poly tape around all 4 edges of the screen.
7. Plug in and turn on the game.
8. When the game is finished booting, calibrate the touchscreen.
9. Replace the bezel and secure it with the 5 wing nuts removed earlier. Also reconnect the 2 speaker connectors, then replace the rear door.

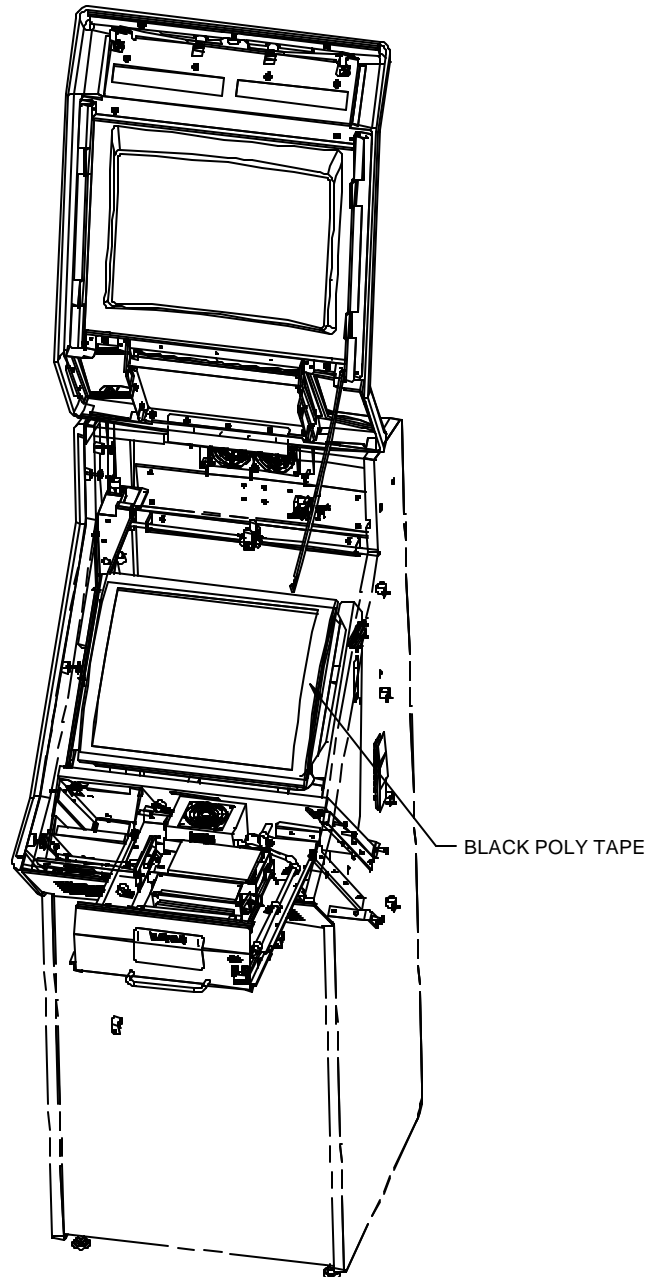


FIGURE 1 - FORCE UPRIGHT (NON-FUSION) TOUCHSCREEN ACCESS