

ATTENTION:

OBSERVE PRECAUTIONS FOR HANDLING ELECTROSTATIC DEVICES

Removal/Installation of Monitor - FORCE Elite Countertop

Monitor Removal

1. Turn off and unplug the game.
2. Unlock and open the rear door.
3. Disconnect the monitor power connection (black and yellow wires) running to the power supply.
4. Disconnect the monitor signal cable from the motherboard and remove it from the cable clamps.
5. Inside the game, access the latches for each side panel and remove both panels (see Figure 1).
6. Remove the two nuts and washers securing the touchscreen controller to the game and remove the controller from the mounting screws. Then disconnect the cable from the back of the controller and disconnect the Molex connector connecting the orange and gray wires (from the touchscreen controller cable) to the main power harness.
7. Remove the 3 screws at the top of each side piece fastening the top cover to the game (see Figure 2) and remove the top cover.
8. Loosen the 5/16" nuts securing the 2 LCD clips (one on each side piece). See Figure 2.
9. Lift the bezel and monitor assembly from the game.

Monitor Installation

1. Place the new bezel and monitor assembly in the game.
2. Tighten the nuts securing the LCD clips on each side piece. See Figure 2.
3. Replace the top cover and the 3 screws at the top of each side piece. See Figure 2.
4. Connect the touchscreen cable in the back of the touchscreen connector and the touchscreen power connector to the main power harness. Then replace the connector on the mounting screws in the game and secure it with the two nuts.
5. Replace both side panels (see Figure 1).
6. Replace the monitor signal cable in the cable clamps and reconnect it to the motherboard.
7. Connect the power connector on the new monitor to the connector running to the power supply.
8. Close and lock the rear door.
9. Plug in and turn on the game.
10. Calibrate the touchscreen.

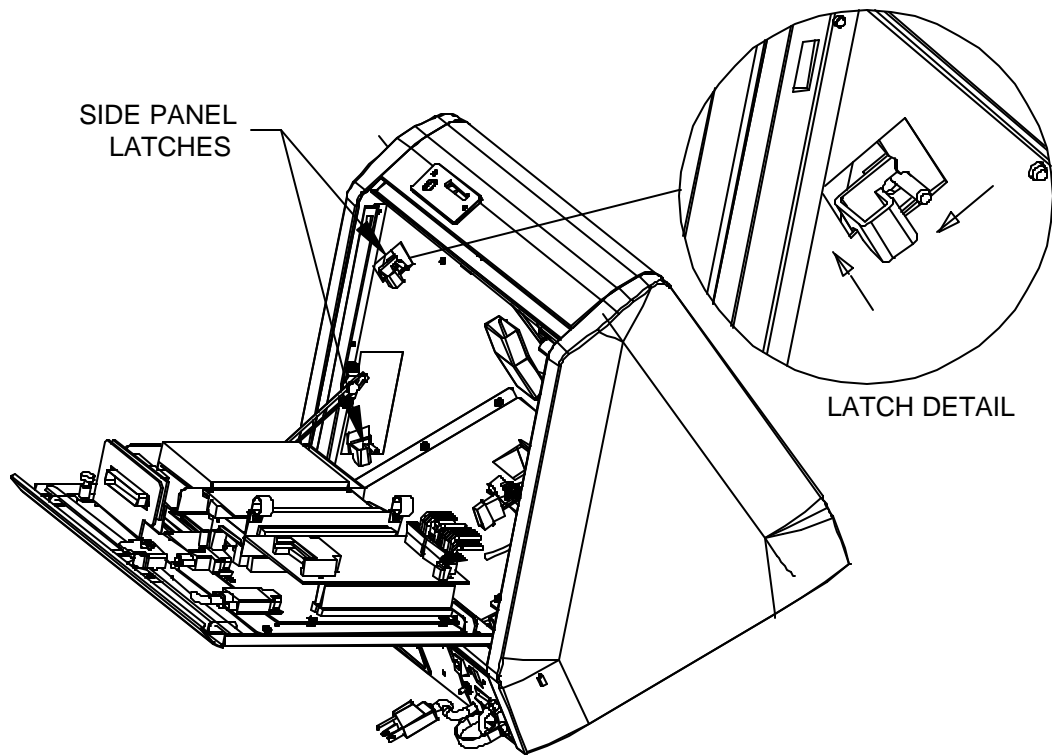


FIGURE 1 - SIDE PANEL LATCH ACCESS

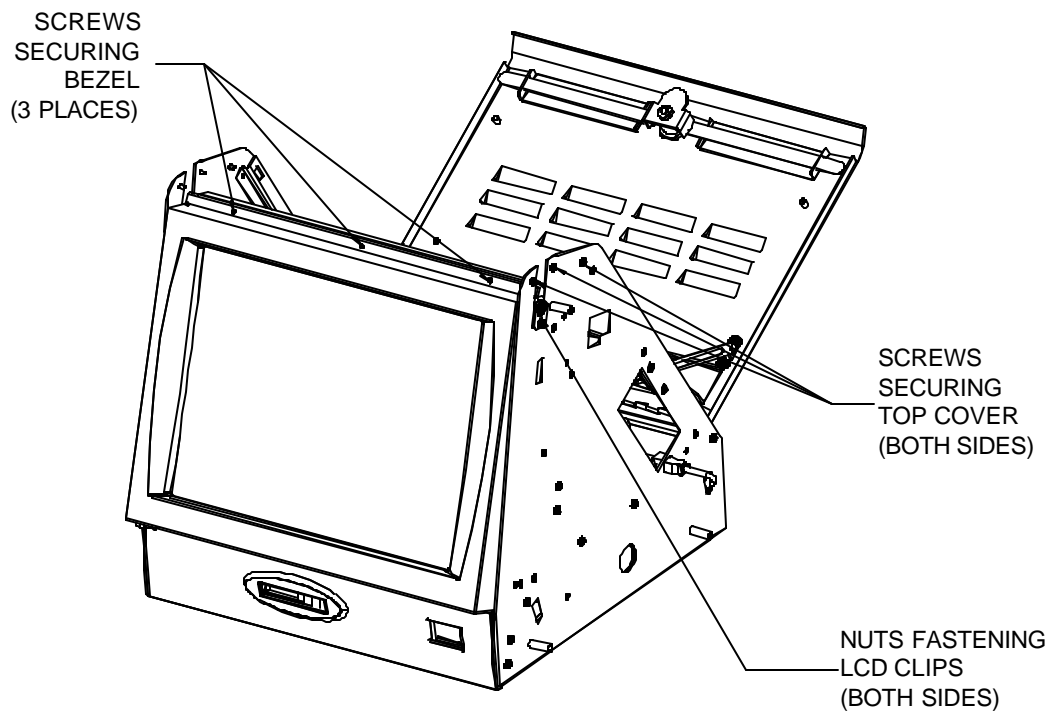


FIGURE 2 - TOP COVER/LCD CLIP ACCESS