

ATTENTION:

OBSERVE PRECAUTIONS FOR HANDLING ELECTROSTATIC DEVICES

Removal/Installation of Monitor - FORCE Classic Countertop

Monitor Removal

1. Turn off and unplug the game.
2. Unlock and remove the coin box or coin box/bill acceptor assembly.
3. Unlock and remove the lid by first disconnecting the fan power connector, then the clear drainage tubing (from lid end) and ground strap. Also remove the monitor control board attached with velcro to the inside of the game. Then press up on the spring-loaded levers (located on each side of the lid), push the levers forward, and lift and remove the lid. Also remove the front bezel. See Figures 1 and 2.
4. Disconnect the ground wire (with the ring lug) that is attached to the metalwork next to the touchscreen controller. Then disconnect the cable from the back of the controller and disconnect the Molex connector connecting the orange and gray wires (from the touchscreen controller cable) to the main harness.
5. Disconnect the monitor power connector (black and white wires running from the monitor board to the right angle connector plugged into the power supply).
6. Disconnect the monitor signal cable from the motherboard.
7. Remove the 4 nuts securing the monitor chassis to the main chassis. Two nuts are located on each side of the monitor board. See Figure 3 for locations. NOTE: BE CAREFUL TO AVOID THE FLYBACK TRANSFORMER AND HIGH VOLTAGE WIRE RUNNING TO THE MONITOR.
8. Pick up the monitor assembly and remove it from the cabinet.

Monitor Installation

1. Place the new monitor assembly in the cabinet.
2. Fasten the monitor chassis to the main chassis with the 4 nuts, 2 on each side of the monitor board. NOTE: BE CAREFUL TO AVOID THE FLYBACK TRANSFORMER AND HIGH VOLTAGE WIRE RUNNING TO THE MONITOR.
3. Connect the monitor signal cable to the motherboard.
4. Reconnect the monitor power connector to the monitor board.
5. Reconnect the touchscreen cable in the back of the controller, then reconnect the Molex connector to the main harness.
6. After replacing the front bezel, install the hood on the chassis, connecting the fan power connector, monitor control board, ground strap, and plastic drain tube. Then pull the lid towards you until the spring-loaded levers lock into place. See Figures 1 and 2 for locations.
7. Close and lock the lid.
8. Replace and lock the coin box or coin box/bill acceptor assembly.
9. Plug in and turn on the game.

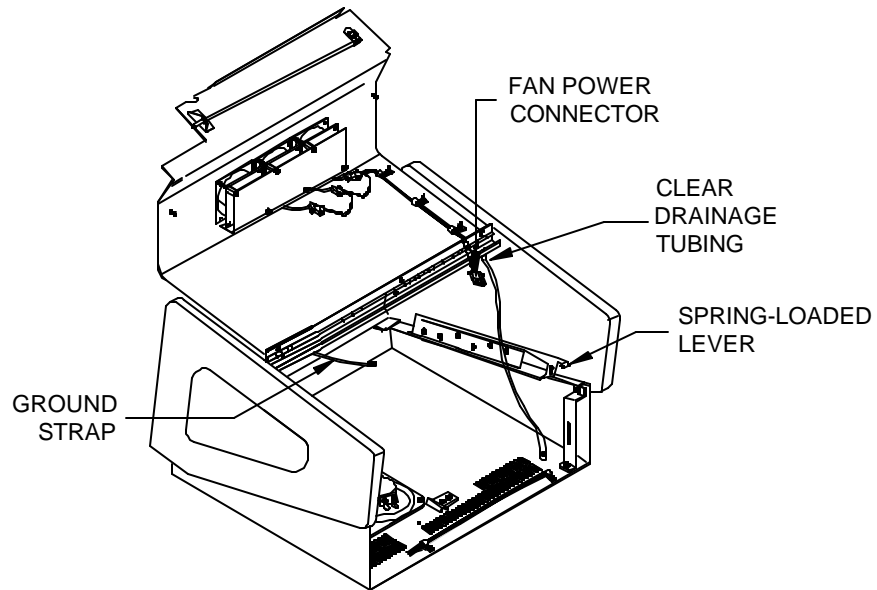


FIGURE 1 - FORCE CLASSIC - HOOD ASSEMBLY

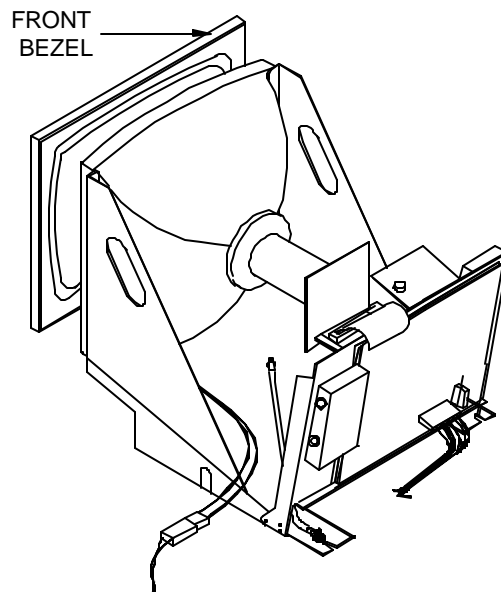


FIGURE 2 - FORCE CLASSIC - MONITOR ASSEMBLY

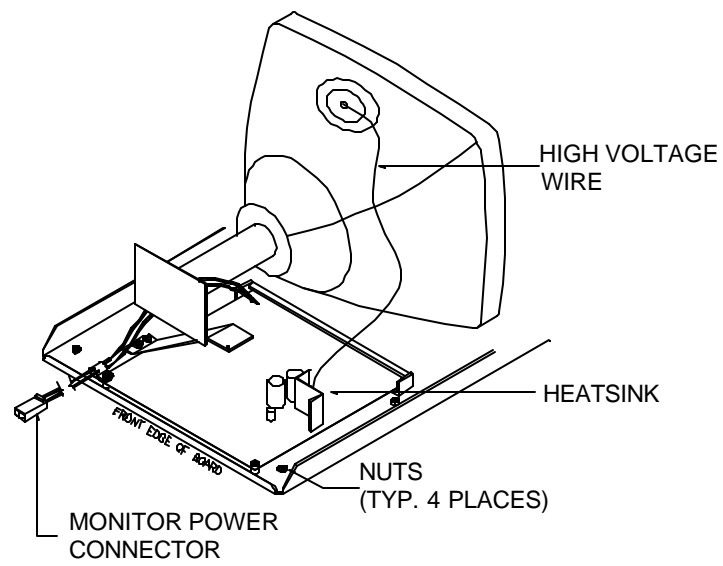


FIGURE 3 - MONITOR REMOVAL