

ATTENTION:

OBSERVE PRECAUTIONS FOR HANDLING ELECTROSTATIC DEVICES

Removal/Installation of Touchscreen - FORCE Radion Countertop/Fun Zone JR.

Touchscreen Removal

1. Turn off and unplug the game.
2. Unlock and open/remove the rear door and the side doors.
3. Remove the cash box.
4. Remove the screw securing the strain relief cord to the rear door, then remove the monitor board from the velcro on the rear door.
5. Remove the screws holding the rear bezel to the game. Five screws are located along the top edge of the game and 2 are at the bottom rear of each side of the game. See Figure 1.
6. Lift the rear bezel from the game.
7. Remove the 4 screws holding the front bezel to the game. Two screws are located at the bottom on each side of the game (see Figure 1) and 2 are on the top surface (see Figure 2).
8. Lift the front bezel from the game.
9. Remove the two nuts and washers securing the touchscreen controller (see Figure 3) to the game and remove the controller from the mounting screws. Then disconnect the cable from the back of the controller and disconnect the Molex connector (orange and gray wires) running from the touchscreen controller cable to the main power harness.
10. Remove the black poly tape from around the edges of the old touchscreen. Remember how the tape was placed in order to tape the new touchscreen.
11. Use dental floss to carefully cut the foam tape holding the touchscreen to the picture tube until you are able to completely remove the touchscreen.
12. Remove any remaining adhesive residue with denatured alcohol, then wipe the surface of the picture tube with the supplied alcohol wipe.

Touchscreen Installation

1. Clean the reverse side of the replacement touchscreen with the supplied alcohol wipe.
2. Peel the backing from the 8 pieces of foam tape already adhered to the reverse side of the touchscreen. Then cut 8 pieces of equal size from the supplied roll of 3/8" double-sided foam tape (the thinner of the two supplied 3/8" rolls) and place them (backing side facing out) on the tape already on the touchscreen before peeling off the backing. The double-thickness of the foam tape will allow enough distance between the touchscreen and the picture tube once the new screen is in place.
3. Replace the new touchscreen over the picture tube (with the cable on the left if you are facing the game), making sure the screen is properly and evenly aligned over the picture tube. Then clean the front of the screen with the supplied alcohol wipe.
4. Connect the new touchscreen controller cable in the back of the controller (see Figure 3) and secure the controller on the mounting screws in the game with the existing hardware. Also connect the Molex connector (orange and gray wires) to the main power harness.

ATTENTION:

OBSERVE PRECAUTIONS FOR HANDLING ELECTROSTATIC DEVICES

Removal/Installation of Touchscreen - FORCE Radion Countertop/Fun Zone JR.

5. Remembering the manner in which the tape was placed around the touchscreen you removed, place and cut a length of the supplied black poly tape evenly over an entire edge of the touchscreen and repeat until all 4 edges are covered.
6. Place and cut a longer length of black poly tape around all 4 edges of the screen. NOTE: Use the additional 3/8" foam tape (the thicker of the two supplied 3/8" rolls) if you need to replace the gasket on the inside of the front bezel. Be sure to remove all of the existing foam tape and adhesive first.
7. Replace the front bezel and the 4 screws (2 at the bottom, 2 at the top) holding the bezel to the game. See Figures 1 and 2.
8. Replace the rear bezel and the 7 screws (5 along the top edge, 2 at the bottom rear) holding the bezel to the game. See Figure 1.
9. Replace the screw securing the strain relief cord to the rear door, then replace the monitor board.
10. Replace the cash box.
11. Plug in and turn on the game.
12. When the game is finished booting, calibrate the touchscreen.
13. Close/replace and lock the rear door and the side doors.

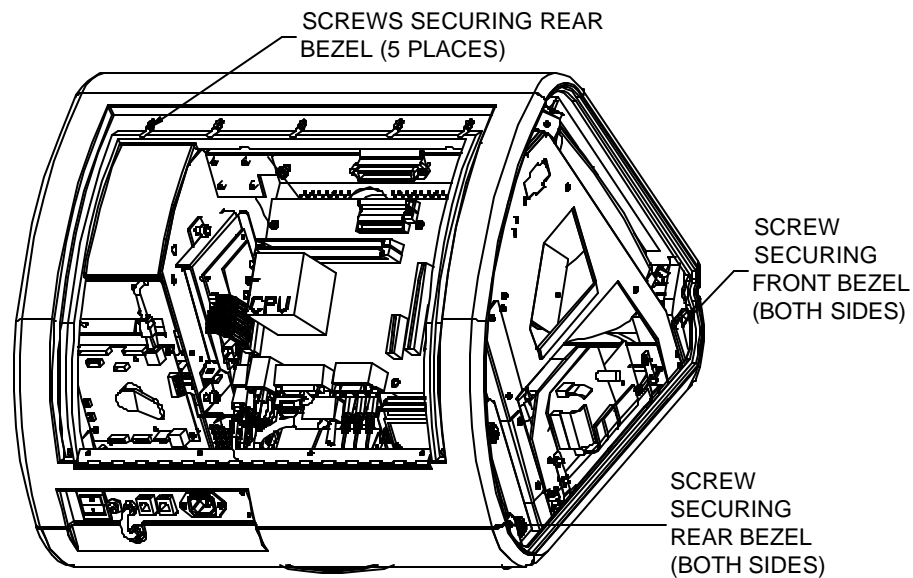


FIGURE 1 - FORCE RADION - FRONT AND REAR BEZELS

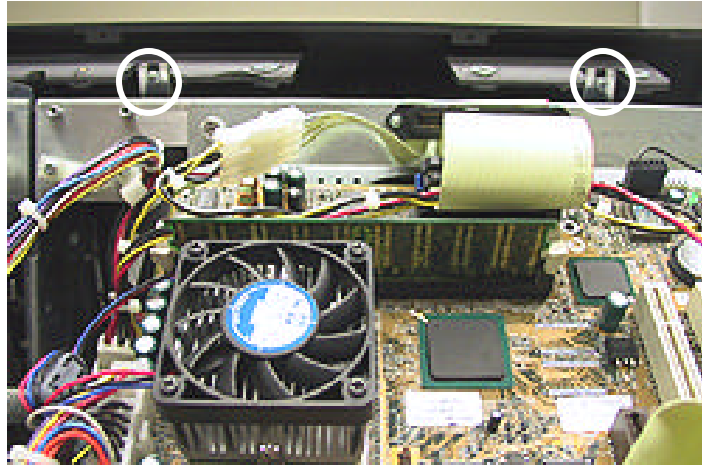


FIGURE 2 - MONITOR REMOVAL -
SCREWS SECURING FRONT BEZEL

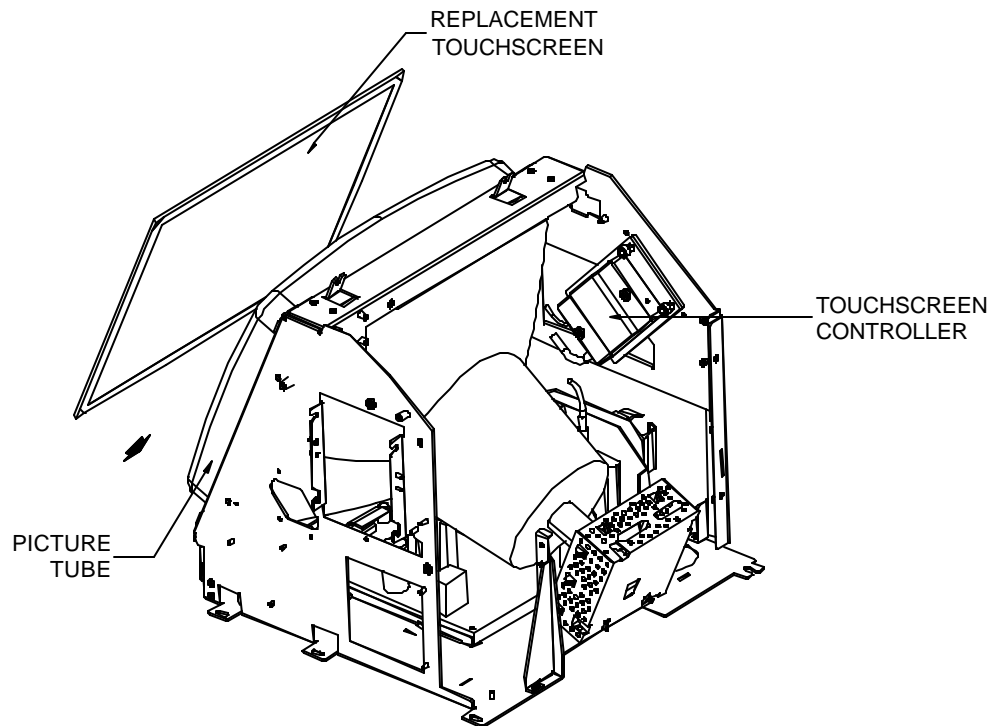


FIGURE 3 - FORCE RADION - MONITOR ASSEMBLY