

EVO Recessed Wall Mounting

CONTENTS:

QTY	PART #	DESCRIPTION
1	MW0804-01	BOTTOM TOWER COVER
4	HW4559-03	1/4 – 20 x. 50L PAN HEAD PHILLIPS MACHINE SCREW
1	PM0432-01	COIN EVO MOUNTING TEMPLATE
1	PM0433-01	BILL EVO MOUNTING TEMPLATE

NOTE: THIS INSTALLATION SHOULD ONLY BE PERFORMED BY A QUALIFIED SERVICE TECHNICIAN.

To mount the EVO recessed in a wall follow the instructions below.



WARNING: Before cutting the hole for the EVO, make sure that there are no electrical wires, pipes or supporting structures behind the wall in the location where you are mounting the game. To install the game using this mounting option, there must be a **MAXIMUM** amount of 4 inches of clearance space behind the wall with the cutout and the supporting structure behind the wall where the game will be secured (see Figures 5A and 5B). This supporting structure must be capable of supporting the weight of the game (the EVO with coin is 85 pounds, the EVO with bill acceptor only is 75 pounds) and it must not be a load-bearing wall. Follow all appropriate precautions while performing this installation.

EVO with Coin: If you are installing the EVO on the wall, a quick adjustment to the coin mech is required for proper operation of the mech. Follow the instructions below to adjust the coin mech before continuing with the installation instructions. For EVOs with bill acceptors only, continue with the installation instructions on the reverse side of this sheet.

1. Unlock and open the cash tower.
2. Using Figure 1 as a guide, pull the bottom tabs on the coin mech out of the back notch on the coin mech bracket and place the bottom tabs on the coin mech in the front notch on the bracket. The top tabs should remain in the back notch.
3. Close and lock the cash tower and continue with Recessed Wall Mount Installation Instructions on the reverse side of this sheet.

NOTE: If you change the mounting of the EVO to table or bar top mounting, you must return the coin mech to its original position.

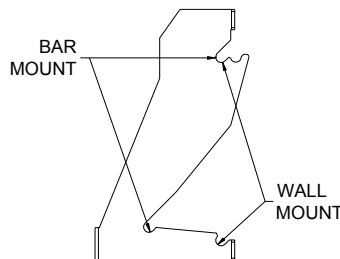
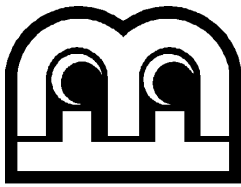


FIGURE 1 - PROFILE OF COIN MECH BRACKET



Recessed Wall Installation Instructions

1. Using the supplied template (PM0432-01 for EVOs with coin mechs and PM0433-01 for EVOs with bill acceptors only) make the cutout in the wall for the EVO.
2. Carefully lay the game on the monitor side. If the lazy Susan on the bottom of the game has a single screw in the middle, remove the screw and remove the lazy Susan. Then, remove the base from the EVO by removing the 4 screws securing the base to the game.
If your lazy Susan does not have the screw in the middle, pull off the adhesive pad and use the large access hole in the bottom of the lazy Susan to gain access to the four screws securing it to the game. Remove the screws and remove the lazy Susan. Then, remove the base from the EVO by removing the 4 screws securing the base to the game.
3. Attach the provided bottom plate to the cash tower using the 4 supplied screws as shown in Figures 2A and 2B.
4. Unlock and open the cash tower lock on the EVO. If you have a coin EVO, remove the coin box to gain access to the mounting holes in the back of the cash tower.
5. Using the mounting holes in the cash tower as a guide, drill the 4 holes needed to mount the game on the mounting surface.
6. Secure the EVO to the secondary wall. Make sure to use sufficient hardware to support the weight of the game (75 pounds for EVOs with bill acceptors only and 85 pounds for EVOs with coin). See Figures 2A and 2B.
7. If you have a coin EVO, replace the coin box.
8. Close and lock the cash tower.

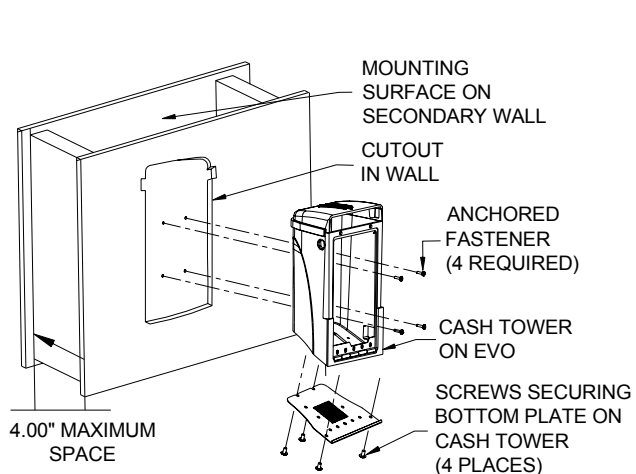


FIGURE 2A – EVO WITH BILL TOWER – RECESSED WALL MOUNTING

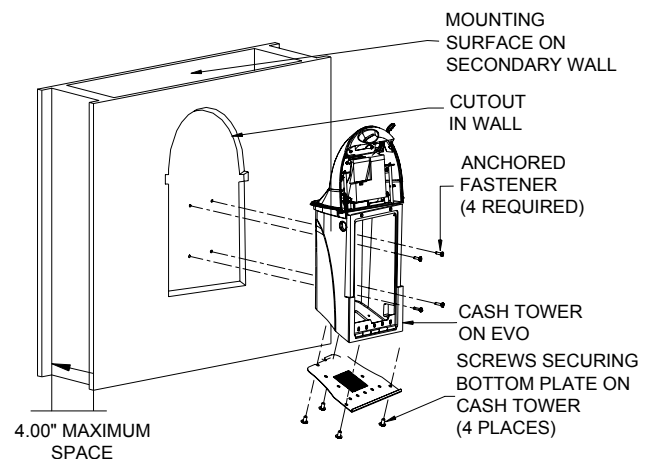


FIGURE 2B – EVO WITH COIN TOWER – RECESSED WALL MOUNTING