



TECHNICAL SERVICE BULLETIN

Date: 4/10/96

merit industries, inc.

- Problem:** Monitor failure.
- Games affected:** All countertop games using Type 8 Wells-Gardner monitors.
- Symptoms:** No video.
- Cause:** Wrong fuse type causes it to blow unnecessarily.
- Solution:** Change the fuse, at F101, from fast-blow to slow-blow.

Instructions

To change the fuse in a countertop game, you will have to remove the monitor assembly from the cabinet.

1. Power down the game and unplug it from its power source.
2. Open the rear door to prepare to remove the lid.
3. To remove the lid, unscrew the thumbscrews on each side of the chassis, push the lid forward, and pull up. You may have to disconnect the ground braid that runs from the power entry to the lid.
4. Remove the metal bracket across the rear of the CPU section. Note the location of any ground straps attached to the back plate for later replacement.
5. Loosen the nuts securing the monitor chassis to the main chassis (located on both sides of the monitor chassis, at the top).
6. Remove the monitor chassis and lay it on the flat surface on the back of the monitor board.
7. Locate F101 on the monitor power supply board (see Figure 1).
8. Remove the plastic fuse cover and remove the existing fast-blow fuse (you may need to temporarily disconnect the the degaussing coil from the power supply board to better reach the fuse). Install the slow-blow fuse (3A 250V) and replace the plastic fuse cover (if you disconnected the degaussing coil, reconnect it now).
9. Carefully put the monitor chassis back into the main chassis and secure it in place.

10. Replace the back plate across the CPU section and resecure any ground straps.
11. Put the lid back on and secure the thumbscrews.
12. Close the rear door, plug in the line cord and power up the game.

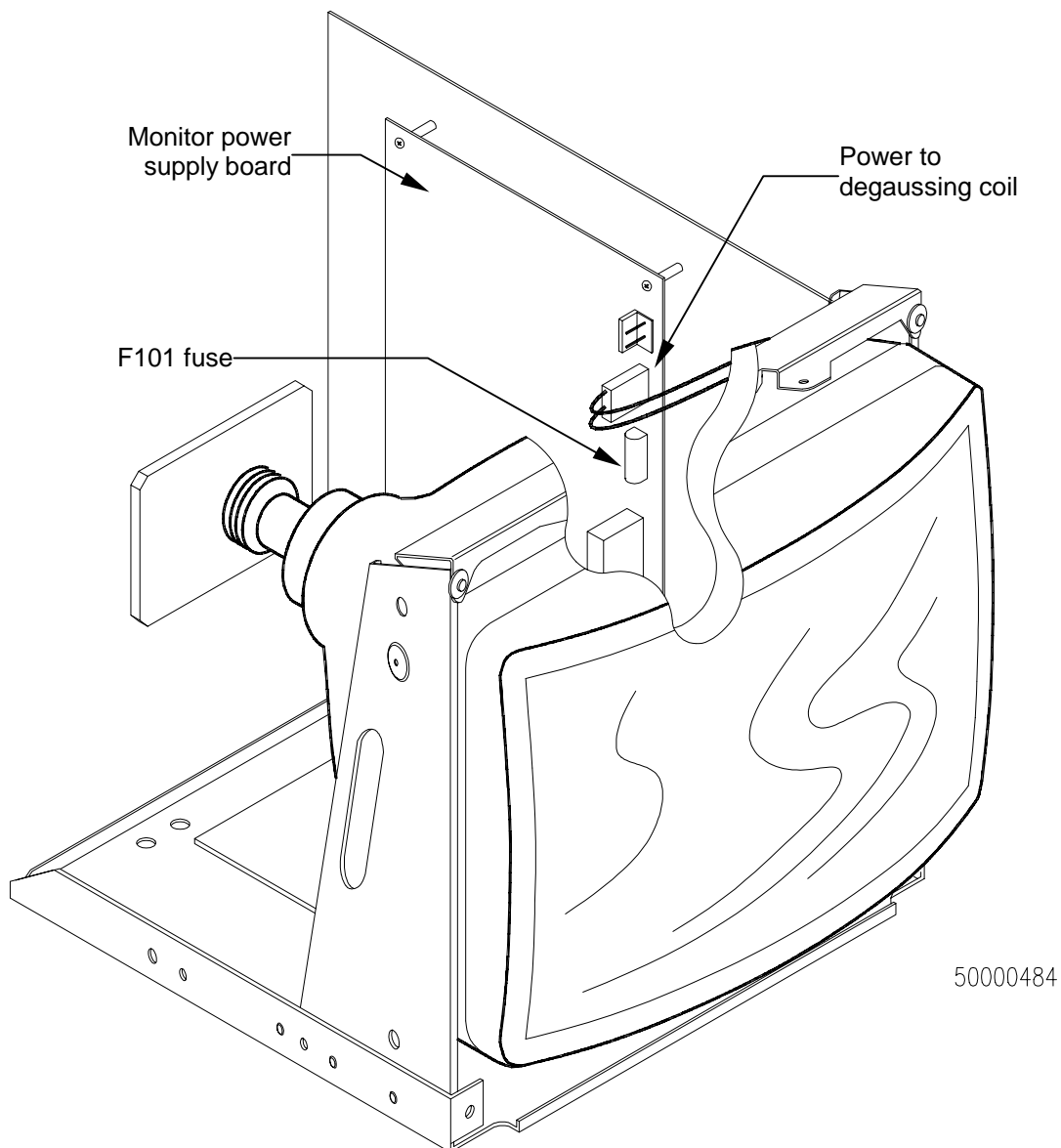


Figure 1 - Location of F101 for Type 8 Wells-Gardner Monitors