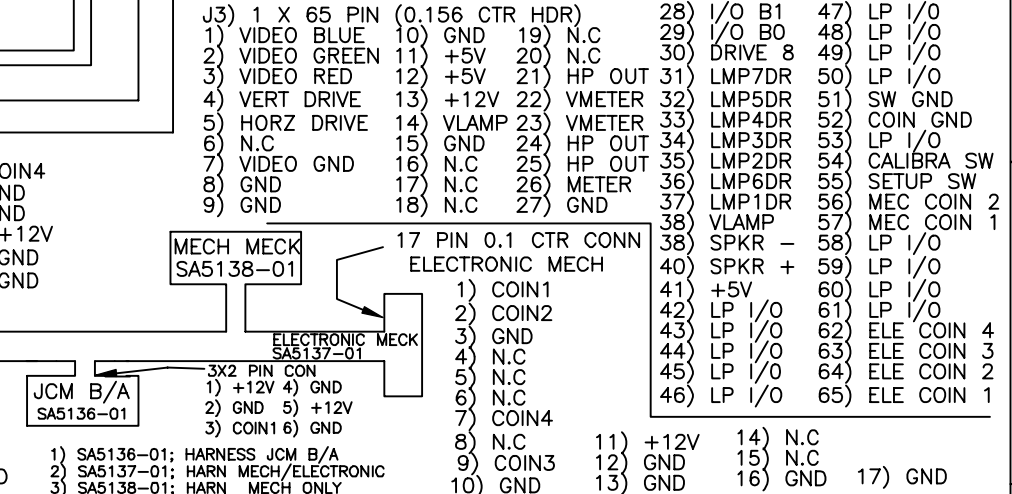
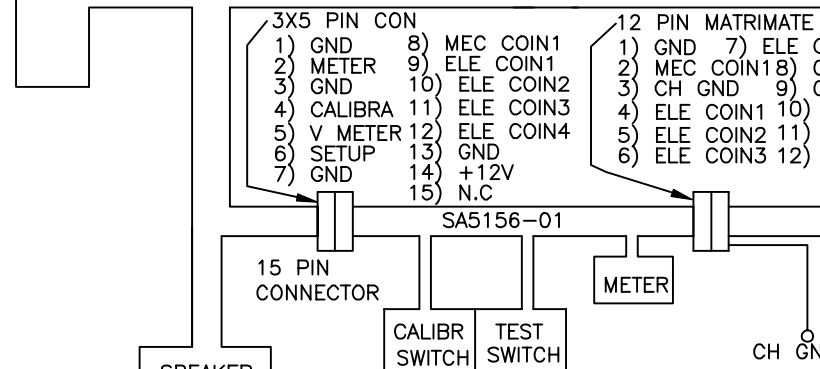
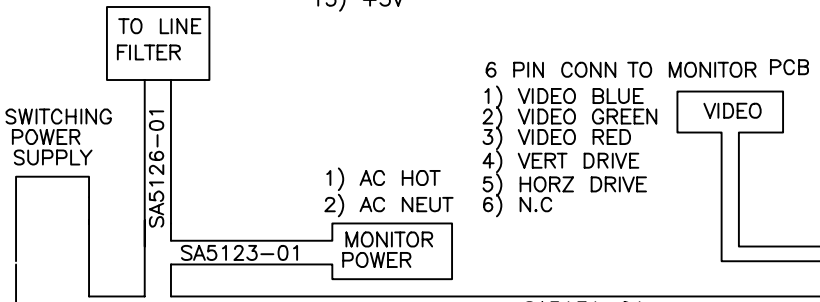
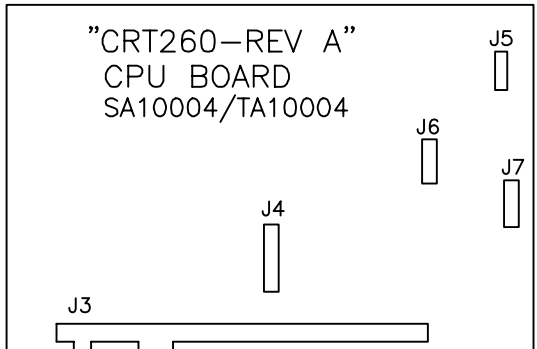


- J4) 1x15 FEM HEADER FOR VBB,CRT252 (OPTIONAL)
- 1) GND
 - 2) GND
 - 3) A0
 - 4) A1
 - 5) A2
 - 6) A3
 - 7) D0
 - 8) D1
 - 9) D2
 - 10) D3
 - 11) D4
 - 12) D5
 - 13) D6
 - 14) D7
 - 15) +5V

- J6) 2X7 PIN RBN CABLE FROM TTL CONTROLLER
- 1) NOVDRAM CLK
 - 2) NOVDRAM CE
 - 3) NOVDRAM DATA
 - 4) +5V
 - 5) GND
 - 6) CH GND
 - 7) N.C
 - 8) DRV
 - 9) UR
 - 10) LR
 - 11) UL
 - 12) LL
 - 13) TXD
 - 14) RXD

- J5) TOUCH SCREEN CABLE. RS-232C, D_SUB WITH SMD MODULE (OPTIONAL)
- 1) N.C
 - 2) RXD
 - 3) TXD
 - 4) N.C
 - 5) GND
 - 6) N.C
 - 7) /RQ2SD
 - 8) /CL2SD
 - 9) N.C

- J7) TOUCH SCREEN CABLE WITH TTL CONTROLLER
- 1) NOVDRAM CLK
 - 2) NOVDRAM CE
 - 3) NOVDRAM DATA
 - 4) +5V
 - 5) GND
 - 6) CH GND
 - 7) N.C
 - 8) DRV
 - 9) UR
 - 10) LR
 - 11) UL
 - 12) LL



-01	AS SHOWN
DASH NO.	DESCRIPTION

TABLE 1

B.O.M. REV LETTER CONTROLS DOCUMENT	DFTSMN TOM JOHNSON	DATE 5/23/95
UNLESS OTHERWISE SPECIFIED TOLERANCES ON: 2 PLC DIMS = ± .XX ANGLES = ± 1° 3 PLC DIMS = ± .XXX FRACTIONS = ± 1/32	CHKR	
MATERIAL: (REMOVE BURRS & BREAK SHARP EDGES)	ENG	
material	APPVD	

merit industries, inc.

TITLE
INTERCONNECT, 13" T/S, C/T
UNIVERSAL COIN(WIDE BODY)

-	0	--	ENGINEERING RELEASE	TOMJ	5/23/95	
ZONE	REV LEVEL	ECO #	DESCRIPTION - FOR DETAILS SEE ECO	DFTR	CHK	DATE APPVD

SIZE B	DRAWING/PART NO. SD0997	REV LEVEL 0
SCALE 1=1	E/D/F -	SHEET 1 OF 1

THIS ITEM AND/OR THE INFORMATION CONTAINED THEREIN IS AND REMAINS THE SOLE PROPERTY OF AND IS PROPRIETARY TO, MERIT INDUSTRIES (MI). THIS ITEM AND/OR INFORMATION SHALL BE KEPT CONFIDENTIAL AND MAY NOT BE REPRODUCED, COPIED, MODIFIED, DISCLOSED, TRANSFERRED OR MADE AVAILABLE TO OTHERS, EXCEPT WITH THE PRIOR WRITTEN CONSENT OF MI. THIS ITEM AND/OR ALL COPIES, IF ANY, ARE SUBJECT TO RETURN TO MI.

DO NOT SCALE THIS PRINT

DRAWING NO. SD0997