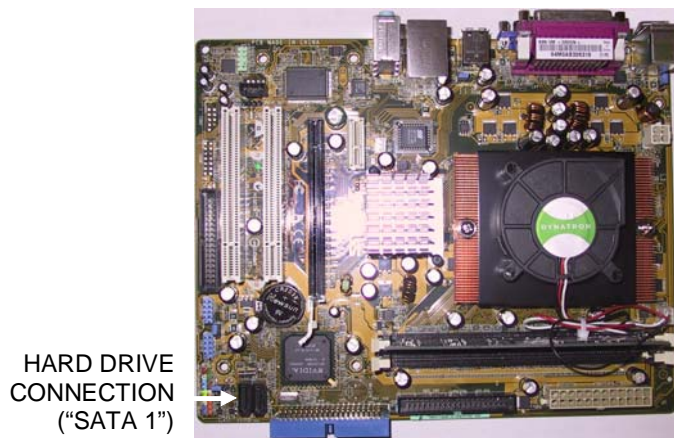
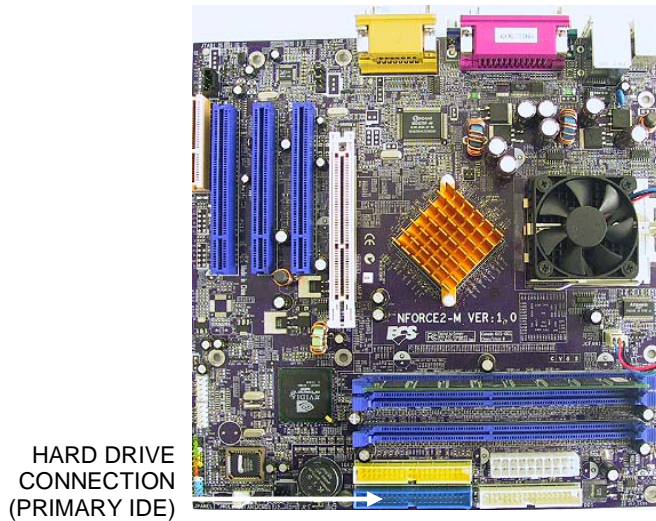


PATA to SATA Hard Drive Conversion

IMPORTANT: PATA to SATA hard drive conversions will differ depending on your cabinet type. For **eVo, Elite Edge, eVo Wallethe/Entertainer, and Fusion** games with **PATA** hard drives, you must know what kind of motherboard is in your game in order to correctly install the SATA hard drive. This motherboard information is not needed for standard Aurora games or for games that already have SATA hard drives. (Aurora Widescreen and Rx games will not require this conversion at all, as they come standard with SATA hard drives.) Use the motherboard diagrams below to identify your motherboard.



PATA to SATA Hard Drive Conversion

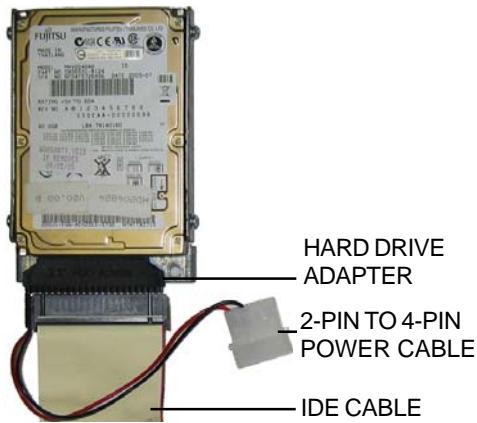


FIGURE 3 - OLD **PATA** HARD DRIVE ASSEMBLY

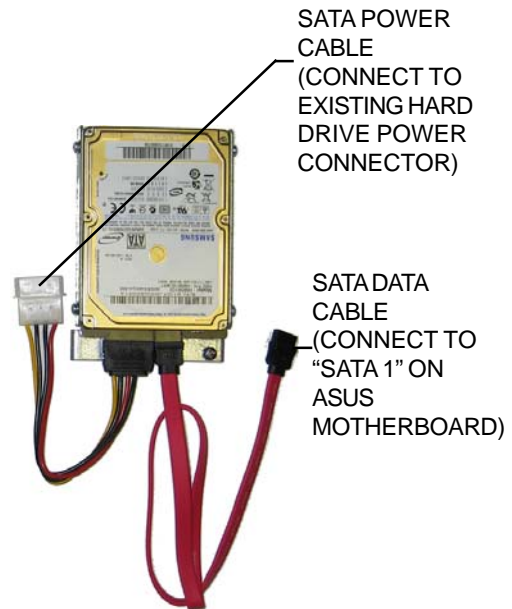


FIGURE 4 - NEW **SATA** HARD DRIVE ASSEMBLY FOR GAMES WITH ASUS MOTHERBOARDS

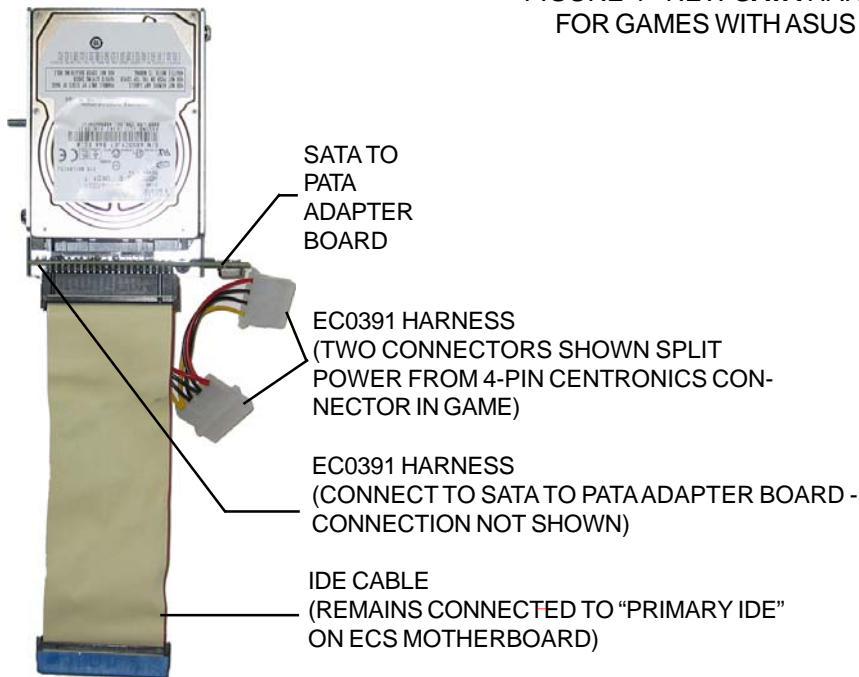


FIGURE 5 - NEW **SATA** HARD DRIVE ASSEMBLY FOR GAMES WITH ECS MOTHERBOARDS

Troubleshooting Information - PATA to SATA Hard Drive Conversion - Hard Drive Connections

PATA to SATA Hard Drive Conversion

eVo, eVo Wallethe / Entertainer and Elite Edge Games

1. If you are connected to TournaMAXX or TournaCHAMP, you must perform an **Update From Server** before removing the hard drive so that no information is deleted.
2. Turn off and unplug the game.
3. Unlock and open the CPU section.
4. Use Figures 3 and 4 to confirm that you have a PATA hard drive in your game.
5. Disconnect the hard drive adapter (with its attached cabling) from the hard drive (Figures 3 and 6).
6. Use Figures 1-2 to determine what kind of motherboard is in your game. For ECS motherboards, continue with step 7a, for ASUS, continue with 7b.
- 7a. **If you have an ECS motherboard:** Disconnect and remove the hard drive adapter and the 2-pin to 4-pin power cable from the IDE cable, leaving the other end of the IDE cable connected to the motherboard (see Figure 3). Continue with step 8.
- 7b. **If you have an ASUS motherboard:** Disconnect the 2-pin to 4-pin power cable and the IDE cable and remove them both from the game (they will not be reused). Connect one end of the provided SATA power cable to this now free 4-pin power connector in the game (see Figures 3 and 4).
8. Remove the screw securing the hard drive mounting bracket to its mounting plate (see Figure 6). Remove the hard drive from its mounting plate by sliding the assembly down and off the bracket.
9. Slide the new hard drive assembly onto the game's mounting plate. Be sure that the hard drive is flush to the mounting plate when doing so. Align the hole in the mounting bracket with the hole on the mounting plate, then secure the assembly with the supplied screw.
- 10a. **ECS motherboards ONLY:** Referring to Figure 5, connect the mating connector on the supplied EC0391 harness to the provided SATA to PATA adapter board. Connect the free end of the IDE cable inside the game to the SATA to PATA adapter board. Then, connect the provided SATA to PATA adapter board to the hard drive.

Locate the 4-pin connection from the centronics upgrade connector inside the game (see Figure 6). Disconnect this 4-pin connection and connect each of the mating connectors on the EC0391 harness to these two 4-pin connectors (see Figure 5).
- 10b. **ASUS motherboards ONLY:** Connect the free end of the SATA power cable (installed in step 7b) to the hard drive as shown in Figure 4. Connect the provided SATA data cable to the hard drive as shown in Figure 4 and connect the other end of this cable to the "SATA 1" header on the motherboard (see Figure 2).

PATA to SATA Hard Drive Conversion eVo, eVo Walleto / Entertainer and Elite Edge Games

11. If you are **not** installing a security key, skip to step 13.
12. Locate the security key (the button-shaped disc with the handle) on the OSD board (see Figure 6). Remove the existing security key from the OSD board by sliding it out of place. Slide the new security key into place.
13. Close and lock the CPU section.
14. Plug in and turn on the game. The game will reboot twice to configure the hardware. When prompted, perform a touchscreen calibration.
15. If you are connected to TournaMAXX or TournaCHAMP, you must re-enter the dial-in settings after completing the software upgrade. After entering the settings, make the initial call into the server, and then perform two **Updates From Server**. Refer to the MegaNet manual for information on how to perform these functions.

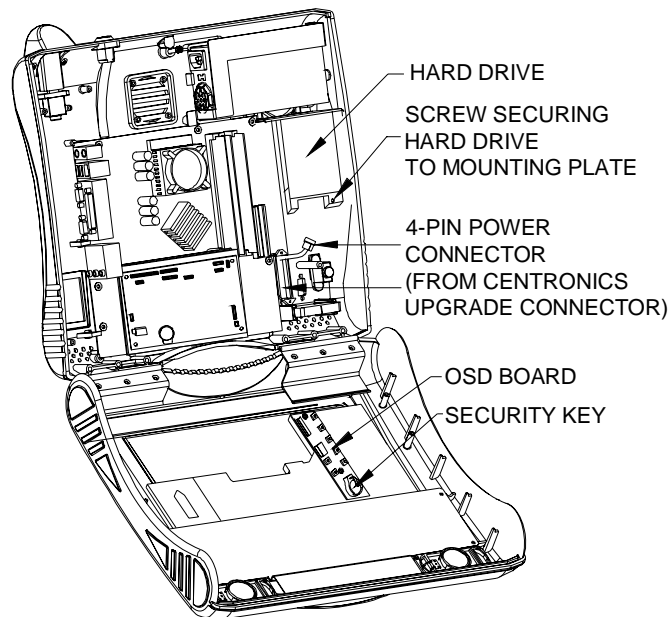


FIGURE 6 - EVO, EVO WALLETO / ENTERTAINER, AND ELITE EDGE WITH CPU SECTION OPEN

PATA to SATA Hard Drive Conversion

Fusion Games

1. If you are connected to TournaMAXX or TournaCHAMP, you must perform an **Update From Server** before removing the hard drive so that no information is deleted.
2. Turn off and unplug the game.
3. Unlock and open the front bezel.
4. Use Figures 3 and 4 to confirm that you have a PATA hard drive in your game.
6. Remove the screw on the hard drive support bracket (this bracket and screw will not be reused). Then, disconnect the hard drive adapter (with its attached cabling) from the hard drive (see Figure 3). Remove the screw securing the hard drive assembly to the electronics box (see Figure 7) and remove the hard drive assembly. Route the hard drive cabling into the electronics box through the access hole to the left of the now-absent hard drive.
7. To remove the electronics box cover, disconnect the 2 or 3 fan connections on the face of the electronics box. Also, disconnect the 2 OSD board connections and route the wires back into the electronics box through the access hole to the right of the hard drive (see Figure 7). Remove the 2 screws securing the electronics box cover and carefully remove the cover (see Figure 7).
8. Use Figures 1-2 to determine what kind of motherboard is in your game. For ECS motherboards, continue with step 9a; for ASUS, continue with 9b.
- 9a. **If you have an ECS motherboard:** Disconnect and remove the hard drive adapter and the 2-pin to 4-pin power cable from the IDE cable, leaving the other end of the IDE cable connected to the motherboard (see Figure 3). Continue with step 10.
- 9b. **If you have an ASUS motherboard:** Disconnect the 2-pin to 4-pin power cable and the IDE cable and remove them from the game (they will not be reused). Connect one end of the provided SATA power cable to this now free 4-pin power connector in the game (see Figures 3 and 4).
10. Separate the CPU fan mounting plate from the hard drive mounting bracket by removing the 2 nuts (see Figure 7). Reattach the CPU fan mounting plate to the provided hard drive assembly with these 2 nuts (see Figure 7).
11. Slide the new hard drive assembly into place on the electronics box cover. Align the hole in the mounting bracket with the hole on the mounting plate, and then secure it with the supplied screw.
- 12a. **ECS motherboards ONLY:** Locate the 4-pin connection coming from the centronics upgrade connector inside the electronics box (see Figure 7). Disconnect this 4-pin connection and connect each of the mating connectors on the EC0391 harness to the these two 4-pin connectors (see Figure 5). Hold the electronics box cover up to the electronics box and route the free end of the EC0391 harness, and the free end of the IDE cable out through the access hole in the electronics box cover (located to the left of the hard drive). Then, route the 2 OSD board connectors through the access hole to the right of the hard drive.

ECS motherboards ONLY: Referring to Figure 5, connect the mating connector on the supplied EC0391 harness to the provided SATA to PATA adapter board. Connect the free end of the

PATA to SATA Hard Drive Conversion Fusion Games

IDE cable inside the game to the SATA to PATA adapter board. Then, connect the provided SATA to PATA adapter board to the hard drive.

- 12b. **ASUS motherboards ONLY:** Connect one end of the provided SATA data cable to the “SATA 1” header on the motherboard (see Figure 2). Hold the electronics box cover up to the electronics box and route the free ends of both the SATA power cable (connected in step 9b) and data cable through the access hole to the left of the hard drive. Also route the 2 OSD board connections through the access hole to the right of the hard drive. Then, connect the hard drive cables to the hard drive as shown in Figure 4.
13. Replace the cover on the electronics box and secure it with the 2 screws. Reconnect the 2 or 3 fan connections that you removed. Reconnect the 2 OSD board connections.
14. If you are **not** installing a security key, skip to step 16.
15. Locate the security key (the button-shaped disc with the handle) on the OSD board (see Figure 7). Remove the existing security key from the OSD board by sliding it out of place, and replace it with the supplied security key.
16. Close and lock the bezel.
17. Plug in and turn on the game. The game will reboot twice to configure the hardware. When prompted, perform a touchscreen calibration.
18. If you are connected to TournaMAXX or TournaCHAMP, you must re-enter the dial-in settings after completing the software upgrade. After entering the settings, make the initial call into the server, and then perform two **Updates From Server**. Refer to the MegaNet manual for information on how to perform these functions.

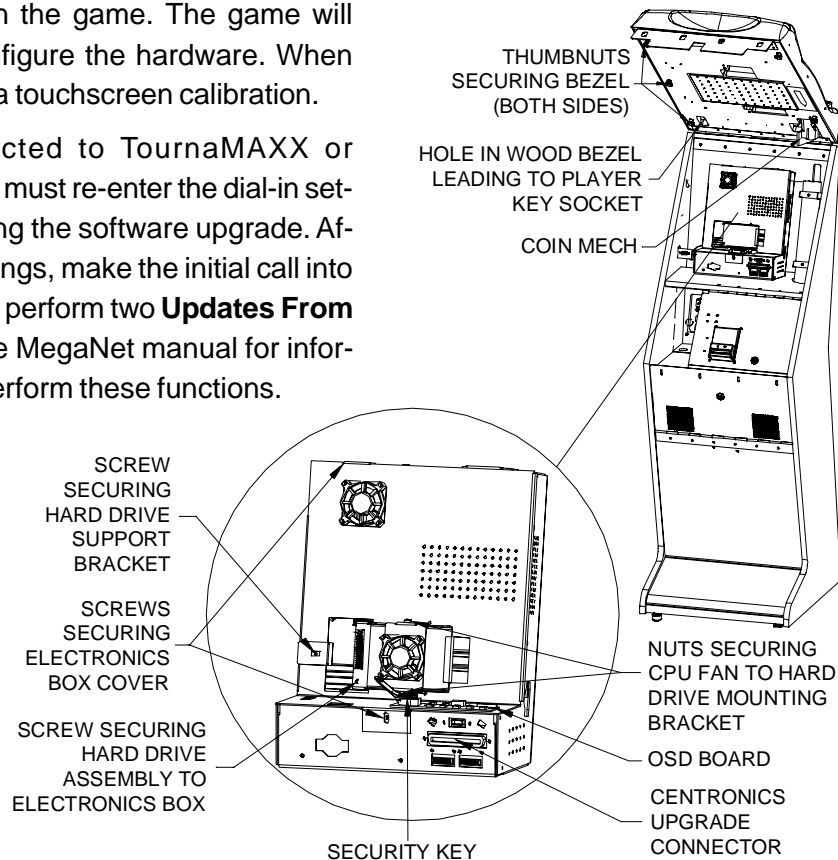


FIGURE 7 - FUSION GAME WITH DETAIL VIEW OF ELECTRONICS BOX

Troubleshooting Information - PATA to SATA Hard Drive Conversion - Ion Fusion

PATA to SATA Hard Drive Conversion

Standard Aurora Games

1. If you are connected to TournaMAXX or TournaCHAMP, you must perform an **Update From Server** before removing the hard drive so that no information is deleted.
2. Turn off and unplug the game.
3. Unlock and remove/open the rear door.
4. Use Figures 3 and 4 to confirm that you have a PATA hard drive in your game.
5. Disconnect the hard drive adapter (with its attached cabling) from the hard drive (Figures 3 and 8).
6. Disconnect and remove the IDE cable and the 2-pin to 4-pin power cable from the game (they will not be reused). Connect one end of the provided SATA power cable to this now free 4-pin power connector in the game.
7. Remove the screw securing the hard drive mounting bracket to its mounting plate (see Figure 8) and slide the hard drive up and off the mounting plate.
8. Install the new hard drive onto the mounting plate and secure it with the provided screw.
9. Connect the free end of the SATA power cable (installed in step 6) to the hard drive as shown in Figure 4. Connect the provided SATA data cable to the hard drive (see Figure 4) and connect the other end of this cable to the "SATA 1" header on the motherboard (see Figure 2).
10. If you are **not** installing a security key skip to step 12.
11. Locate the security key (the button-shaped disc with the handle) on the OSD board (see Figure 8). Remove the existing security key from the OSD board by sliding it out of place. Replace it with the supplied security key.
12. Close (or reattach) and lock the rear door.
13. Plug in and turn on the game. The game will reboot twice to configure the hardware. When prompted, perform a touchscreen calibration.
14. If you are connected to TournaMAXX or TournaCHAMP, you must re-enter the dial-in settings after completing the software upgrade. After entering the settings, make the initial call into the server, and then perform two **Updates From Server**. Refer to the MegaNet manual for information on how to perform these functions.

PATA to SATA Hard Drive Conversion Standard Aurora Games

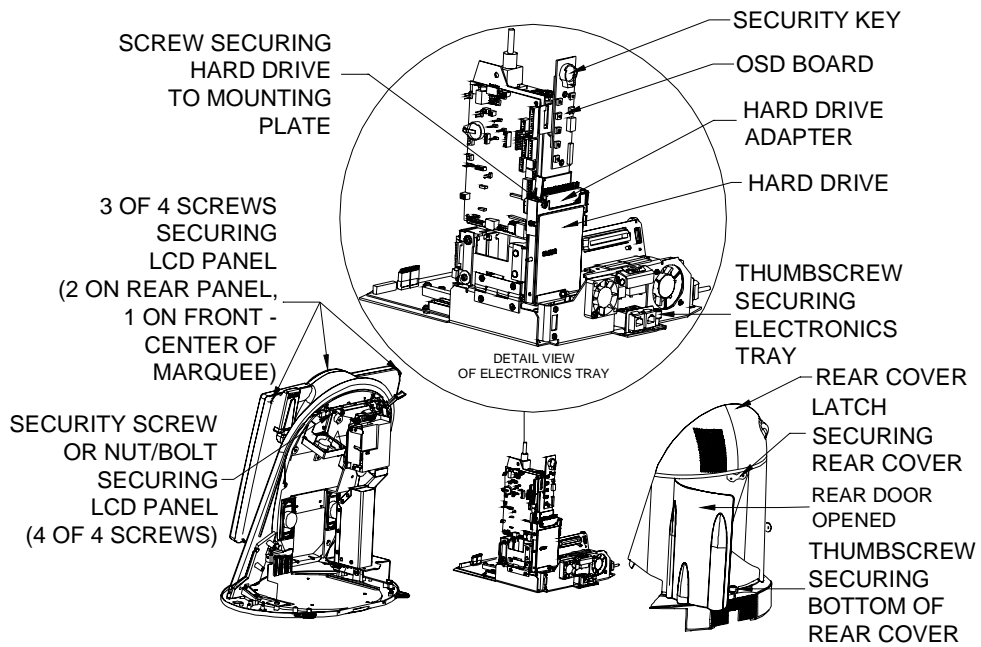


FIGURE 8 - REAR VIEW OF AURORA GAME