

Removal/Access of CD Player - Countertop

1. Turn off the game and unplug it from its power source.
2. Remove the lid (for lid removal instructions see the decal located inside the rear door).
3. Remove the touchscreen controller and disconnect the touchscreen controller cable from the back of the controller. Also, disconnect the Molex connector connecting the orange and gray wires from the touchscreen controller cable to the main harness, and the green wire with ring lug, that is attached to the metalwork, next to the controller. See Figure 1 for touchscreen controller location.
4. Disconnect the monitor signal cable from the motherboard. See Figure 1.
5. Remove the four nuts securing the monitor chassis to the main chassis; two nuts are located on each side of the monitor board. NOTE: BE CAREFUL TO AVOID THE FLYBACK TRANSFORMER AND HIGH VOLTAGE WIRE RUNNING TO THE MONITOR. See Figure 2 for locations.
6. Disconnect the monitor power connection (black and white wires running from monitor board to right angle connector plugged into power supply).
7. Pick up the monitor assembly and remove it from the cabinet.
8. The CD player is located underneath the monitor assembly.

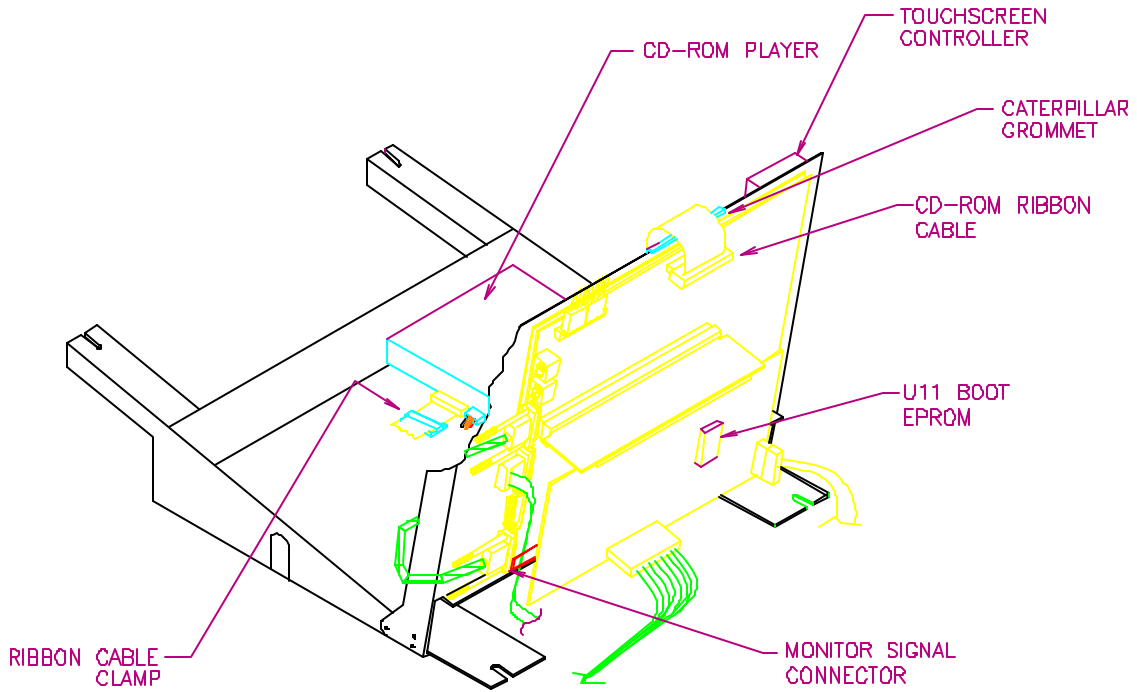


FIGURE 1 - COUNTERTOP - CD PLAYER REMOVAL

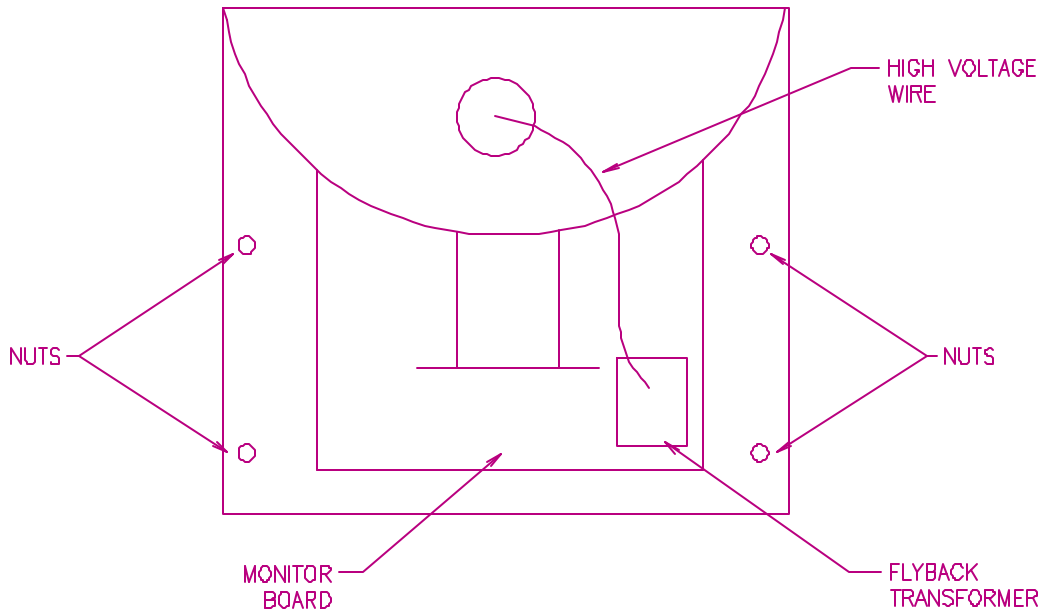


FIGURE 2 - COUNTERTOP - MONITOR REMOVAL