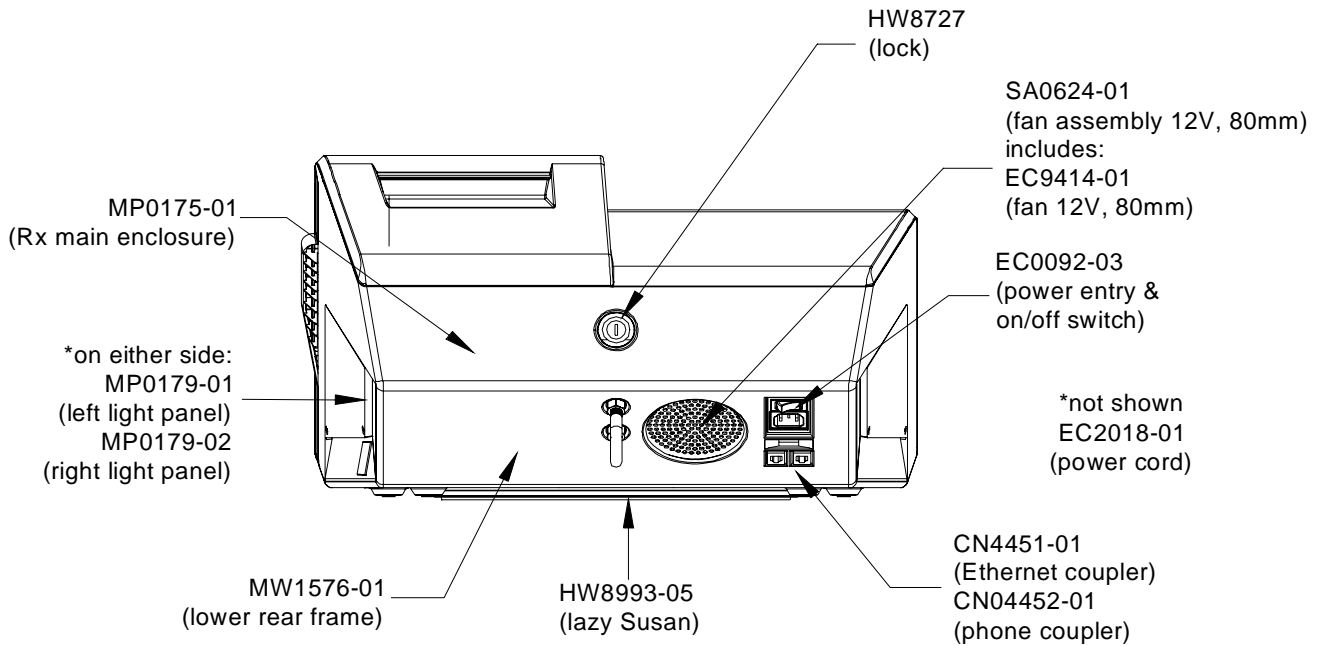


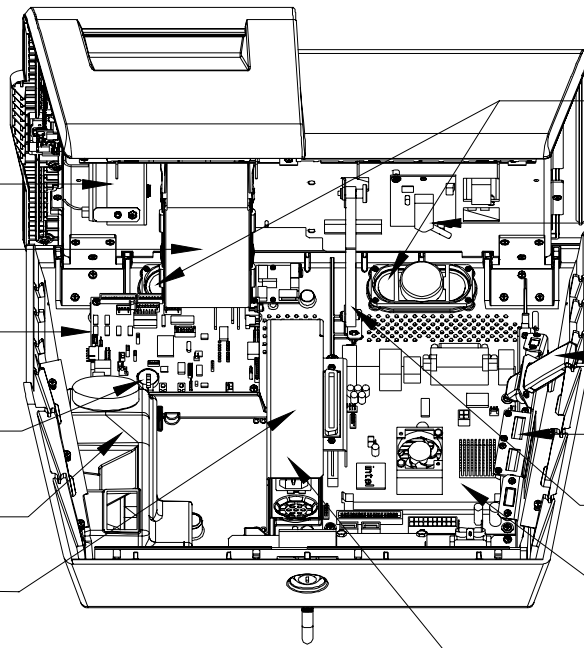
FRONT VIEW OF THE MEGATOUGH ION RX



REAR VIEW OF THE MEGATOUGH ION RX

\*not shown  
 EC0094-03  
 (USB I/O cable)  
 MP0174-01  
 (coin rejector lever)  
 MW1571-01  
 (coin mech bracket)

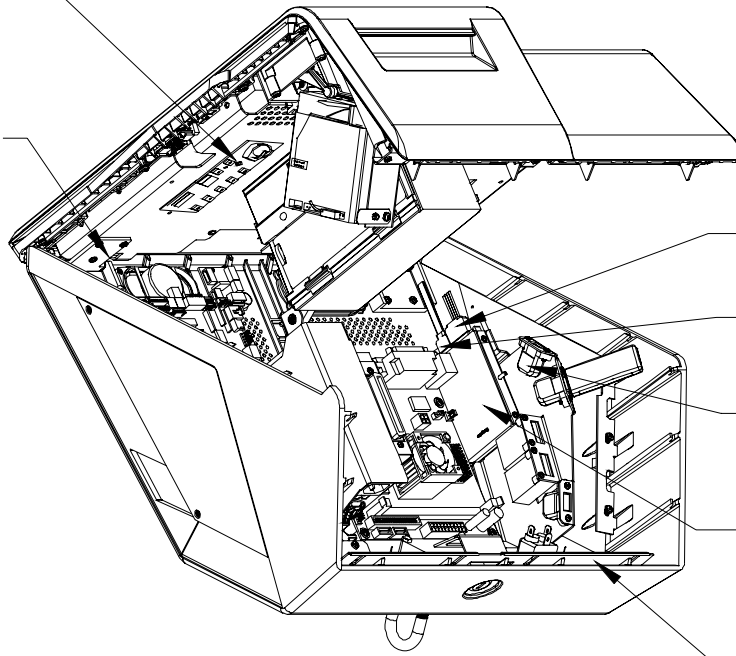
HW8337-01  
 (coin rejector)  
 EC9788-01  
 (bill acceptor)  
 SA10068-13  
 (I/O board)  
 SA3590-XX  
 (security key)  
 MP0172-01  
 (coinbox)  
 SA0632-01  
 (international coin box)  
 MW1569-01  
 (power supply bracket)



EC0101-03  
 (dual speaker assembly)  
 SB0477-01  
 (touchscreen controller)  
 EC0158-05  
 (touchscreen controller cable)  
 EC0148-02  
 (USB wireless adapter)  
 SA0309-04  
 (meter assembly)  
 HW0134-01  
 (monitor support arm)  
 SA10078-02  
 (Intel Little Falls motherboard)  
 EC7538-10  
 (power supply)

REAR VIEW OF AN OPEN MEGATOUGH ION RX

SA10066-03  
 (OSD board)  
 EC0332-04  
 (OSD cable)  
 MW1574-01  
 (hinge arm assembly -  
 on lid)  
 MW1575-02  
 (bracket hinge -  
 on base)  
 \*not shown  
 MW1578-01  
 (Rx case latch)  
 MW1625-01  
 (lid bracket)  
 SA10071-01  
 (master light show board)  
 SA10073-02  
 (slave light show board)  
 SA10073-03  
 (slave light show board)



EC0359-01  
 (SATA hard drive power cable)  
 EC0358-01  
 (SATA hard drive cable)  
 EC0369-02  
 (external SATA hard drive cable)  
 SB0546-05  
 (Ion 2010 hard drive assembly)  
 MW1079-02  
 (hard drive bracket)  
 MW1577-01  
 (upper rear hinge)

ANGLED REAR VIEW OF AN OPEN MEGATOUGH ION RX

ION RX WIDESCREEN PARTS LIST

Item	Description
CN4451-01	ETHERNET COUPLER
CN4452-01	PHONE COUPLER
EC0092-04	INLET A/C-SWITCH CIRCUIT BREAKER
EC0094-03	I/O USB CABLE
EC0097-04	16.5" ON-SCREEN DISPLAY CABLE
EC0101-03	SPEAKER ASSEMBLY - DUAL FLAT PANEL
EC0148-02	USB WIRELESS ADAPTER
EC0158-05	9" TOUCHSCREEN CONTROLLER CABLE
EC0200-01	LIGHT SHOW CABLE
EC0332-04	OSD CABLE
EC0358-01	SATA HARD DRIVE CABLE
EC0359-01	SATA HARD DRIVE POWER CABLE
EC0362-02	CREDIT CARD READER
EC0375-02	9" VGA CABLE
EC0367-02	CREDIT CARD READER CABLE
EC0369-02	EXTERNAL SATA HARD DRIVE CABLE
EC0371-01	COIN-AND-BILL ACCEPTOR LIGHT SHOW CABLE
EC0372-01	LCD LIGHT SHOW CABLE
EC2018-01	POWER CORD
EC7538-10	POWER SUPPLY, V4, 300W, +5, +3.3
EC9414-01	FAN, 12V, 80MM
EC9788-02	BILL ACCEPTOR \$1/\$2/\$5
HW0134-01	MONITOR SUPPORT ARM
HW8337-01	IMONEX COIN REJECTOR
HW8727	LOCK
HW8993-05	12" DIAM. 15" STOPS LAZY SUSAN
MP0167-01	MARS BILL ACCEPTOR OUTER INSERT
MP0168-01	MARS BILL ACCEPTOR INNER INSERT
MP0169-01	RX INNER BEZEL
MP0170-01	RX OUTER BEZEL
MP0171-01	CARD READER
MP0172-01	COINBOX
MP0173-01	COIN REJECTOR BUTTON
MP0174-01	COIN REJECTOR LEVER
MP0175-01	RX MAIN ENCLOSURE
MP0179-01	LEFT LIGHT PANEL
MP0179-02	RIGHT LIGHT PANEL
MW1079-02	HARD DRIVE BRACKET
MW1569-01	POWER SUPPLY BRACKET
MW1571-01	COIN MECH BRACKET
MW1575-02	BRACKET-HINGE
MW1576-01	LOWER REAR FRAME
MW1577-01	UPPER REAR HINGE
MW1578-01	RX CASE LATCH
MW1595-01	LCD SUPPORT BRACKET
MW1625-01	LID BRACKET
SA0309-04	METER
SA0624-01	FAN ASSY, 12V, 80MM, 40CFM
SA0632-01	INTERNATIONAL COIN BOX
SA10066-03	OSD BOARD
SA10068-13	I/O BOARD
SA10071-01	MASTER LIGHT SHOW BOARD
SA10073-02	SLAVE LIGHT SHOW BOARD VERSION 2
SA10073-03	SLAVE LIGHT SHOW BOARD VERSION 3
SA10078-02	ION INTEL LITTLE FALLS MOTHERBOARD
SA3590-XX	ION 2010 SECURITY KEY
SB0477-01	USB TOUCHSCREEN CONTROLLER
SB0546-05	2.5" ION 2010 HARD DRIVE PROGRAM ASSEMBLY
SB0616-01	TOUCHSCREEN REPLACEMENT KIT
SB0619-01	WIDESCREEN LCD REPLACEMENT KIT