

ATTENTION:

OBSERVE PRECAUTIONS FOR HANDLING ESD-SENSITIVE DEVICES

Removal/Installation of Major Assemblies - Ion eVo/eVo Walleto/Elite Edge/Megatouch Entertainer

Touchscreen Removal

1. Turn off and unplug the game.
2. Unlock and open the CPU section and place something under the front bezel to brace it when the strain relief cord is disconnected.
3. Remove the screw and washer fastening the strain relief cord, then remove the remaining 5 screws fastening the LCD mounting bracket to the game. The key socket ground wire will also be removed in the process. See Figure 1.

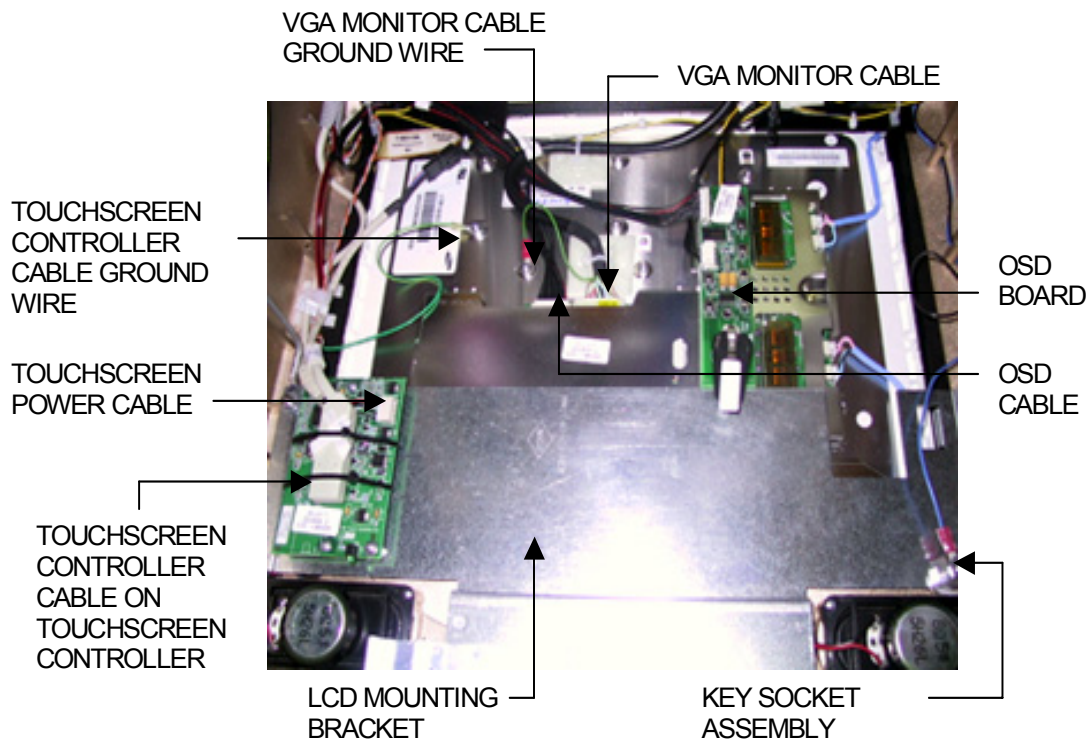


FIGURE 1 - CLOSEUP OF CPU SECTION

4. Remove the nut, wire and bolt from the key socket assembly located on LCD mounting bracket, then remove the bracket. See Figure 1.
5. Carefully cut the tie wraps around the VGA monitor cable, remove the ground wire and disconnect the cable from the monitor. See Figure 1.
6. Remove the OSD cable from the twist clamp and disconnect it from the OSD board and the monitor. Then remove the OSD board from the Velcro attached to the hinge and set it aside. See Figure 1.
7. Disconnect the LCD power connector (black and yellow wires). See Figure 2.

ATTENTION:

OBSERVE PRECAUTIONS FOR HANDLING ESD-SENSITIVE DEVICES

**Removal/Installation of Major Assemblies -
Ion eVo/eVo Walleto/Elite Edge/Megatouch Entertainer (cont'd)**

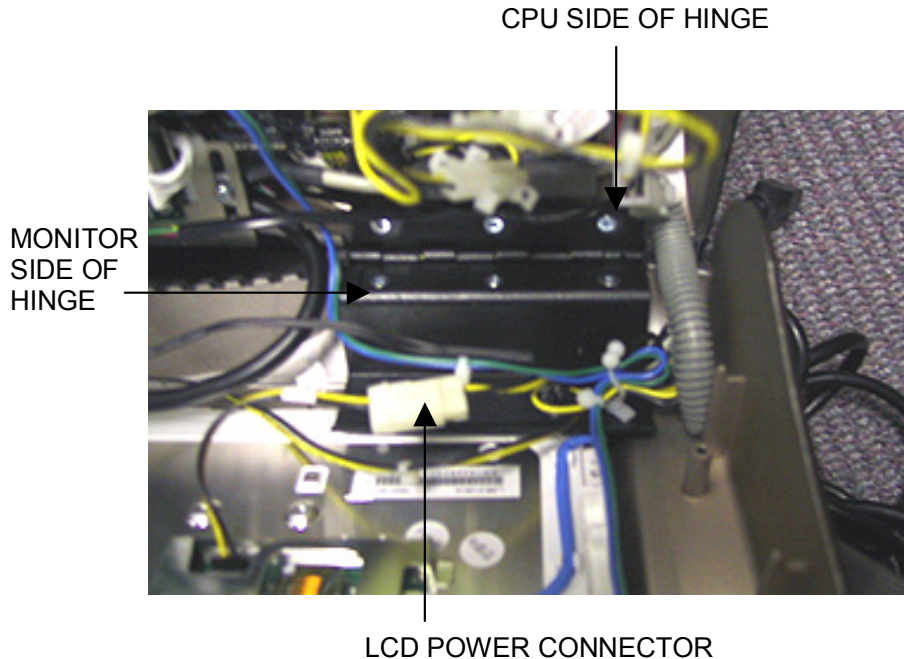


FIGURE 2 - CLOSE-UP OF MONITOR HINGE

8. Carefully cut the tie wrap around the touchscreen controller cable and disconnect the cable from the touchscreen controller. Also remove the ground wire. See Figure 1.
9. Disconnect the touchscreen power cable from the touchscreen controller (see Figure 1), then disconnect the Molex connector identified by the orange and gray wires.
10. Loosen the 3 screws on the monitor side of the hinges in order to raise the hinges and allow room to remove the monitor. See Figure 2.

NOTE: Elite Edge games may require you to remove the joystick in order to allow the necessary room for loosening of the hinge screws. To remove the joystick, carefully place the game on its side. Remove the 2 screws securing the protective bracket on the bottom of the game and remove the bracket. Disconnect the joystick connector and remove the joystick. Return the game to its upright position.

11. Slide the monitor out of the bezel.
12. Note the orientation of the touchscreen cable before removing the screen. Then use dental floss to carefully cut the foam tape holding the touchscreen to the monitor until you are able to completely remove the screen.
13. Remove any remaining adhesive residue with denatured alcohol, then clean the monitor glass with the supplied alcohol wipe.

ATTENTION:

OBSERVE PRECAUTIONS FOR HANDLING ESD-SENSITIVE DEVICES

Removal/Installation of Major Assemblies - Ion eVo/eVo Wallette/Elite Edge/Megatouch Entertainer (cont'd)

Touchscreen Installation

1. Clean the reverse side of the replacement touchscreen with the supplied alcohol wipe.
2. Cut pieces of the supplied 1/2" double-sided foam tape long enough to cover each edge of the screen without overlapping. After the tape is in place on the screen, peel off the backing.
3. Replace the new touchscreen over the monitor in the same manner as the old screen, making sure the screen is properly and evenly aligned over the monitor glass. Then clean the front of the screen with the supplied alcohol wipe.
4. Carefully slide the new monitor into the bezel, making certain that the white edge of the monitor and the monitor wire connections are facing the bottom of the bezel. Ensure that the monitor is properly centered, then tighten the hinge screws. See Figure 2.
NOTE: If you removed the joystick on your Elite Edge, carefully return the game to its side and reconnect the joystick to the connector in the game. Place the protective bracket in its previous position, sliding it under the lazy Susan and making sure the cutouts are placed around the installed screws. Make sure all wires are secured inside the bracket, then reinstall the 2 screws securing the bracket. Return the game to its upright position.
5. Replace the LCD mounting bracket in the game and fasten it with the 6 screws removed earlier. Also refasten the strain relief cord and the key socket ground wire. See Figure 1.
6. Replace the key socket assembly by securing the bolt, green wire and nut over the LCD mounting plate. See Figure 1.
7. Connect the touchscreen controller cable to the touchscreen controller and secure it with a tie wrap. Also restore the touchscreen controller cable ground wire. See Figure 1.
8. Connect the touchscreen power cable to the touchscreen controller (see Figure 1) and reconnect the Molex connector (orange and gray wires).
9. Connect the LCD power connector (black and yellow wires). See Figure 2.
10. Reattach the OSD board to the Velcro on the hinge, then connect the OSD cable to both the OSD board and the monitor. See Figure 1. Secure the cable in the twist clamp.
11. Connect the VGA cable to the monitor and secure it with tie wraps. Also replace the ground wire. See Figure 1.
12. Close and lock the CPU section.
13. Plug in and turn on the game.
14. When the game is finished booting, calibrate the touchscreen.