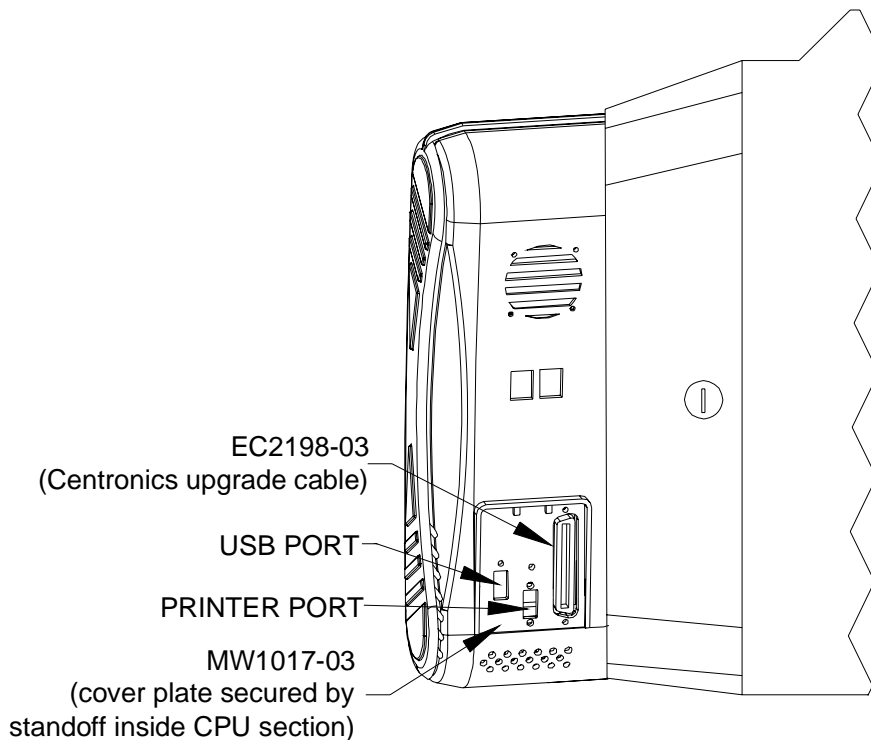
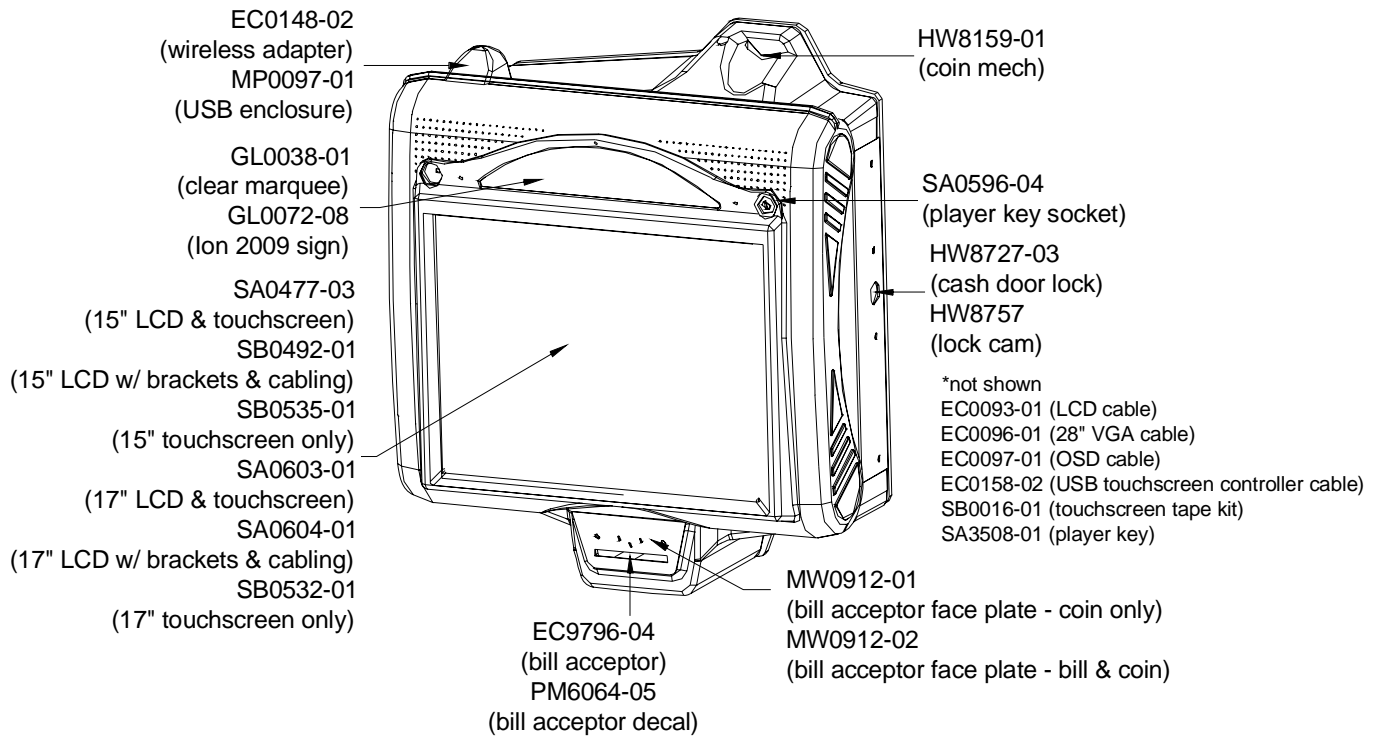


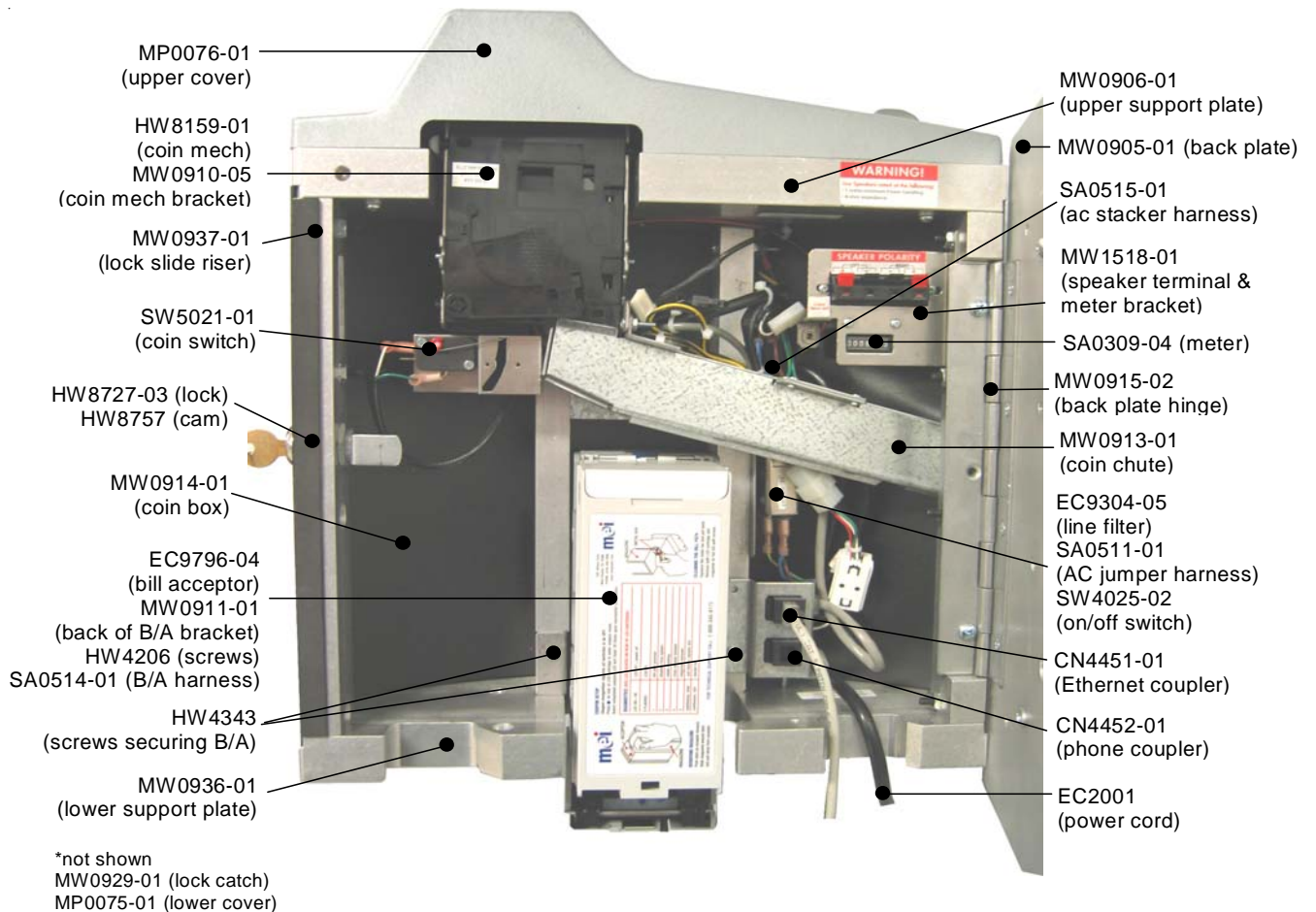
ION EVO WALLETT/MEGATOUCH ENTERTAINER WITH CPU SECTION OPEN



LEFT REAR SECTION VIEW OF THE WALLETT/ENTERTAINER



FRONT VIEW OF THE WALLETTTE/ENTERTAINER



WALLETTTE/ENTERTAINER WITH CASH DOOR OPEN

MEGATOUCH WALLETTTE/ENTERTAINER PARTS LIST

Item	Description
CN4451-01	ETHERNET COUPLER
CN4452-01	PHONE COUPLER
EC0053-04	6", 40-PIN, 80-CONNECTOR, ATA100 RIBBON CABLE
EC0093-01	3" DC LCD POWER CABLE
EC0096-01	28" VGA CABLE
EC0097-01	21" ON-SCREEN DISPLAY CABLE
EC0101-01	DUAL SPEAKER ASSEMBLY
EC0102-01	SETUP & CALIBRATE CABLE
EC0148-02	USB WIRELESS ADAPTER
EC0157-01	2.5" HARD DRIVE IDE ADAPTER
EC0158-02	26" USB TOUCHSCREEN CONTROLLER CABLE
EC2001	POWER CORD - USA
EC2198-03	7" CENTRONICS CABLE
EC9304-05	3-AMP IEC 320 LINE FILTER WITH .250 FAST-ON CONNECTORS
EC9407-04	60MM, 7.4CFM CPU FAN FOR ASUS MOTHERBOARD
EC9796-04	\$1, \$2 & \$5 BILL ACCEPTOR WITH 300-NOTE STACKER
GL0038-01	MARQUEE PLASTIC
GL0072-08	ION 2009 SIGN
HW0905-02	ASUS MOTHERBOARD INSULATOR (FISH PAPER)
HW0906-01	I/O BOARD INSULATOR (FISH PAPER)
HW3100	#6-32 HEXNUT FOR I/O MOUNTING PLATE STANDOFF
HW4206	6-32 x 1/4"L PAN HEAD PHILLIPS MACHINE SCREW FOR B/A BRACKET
HW4343	SEMS 6-32 x 5/8"L PAN HEAD PHILLIPS MACHINE SCREW (SECURING B/A)
HW6036-07	#6-32 x 1.25L x .25 HEX STANDOFF M<F FOR I/O MOUNTING PLATE
HW8159-01	COIN MECH
HW8727-03	KEYED DIFFERENT LOCK, 1-1/8"L BARREL WITHOUT CAM (FOR CASH DOOR)
HW8748-02	HIGH-SECURITY KEYED DIFFERENT LOCK (FOR CPU SECTION)
HW8757	BENT 90° LOCK CAM (FOR CASH DOOR)
KUV-110-155-01	KIT - ION TURBO UPGRADE 256MB
MP0075-01	LOWER COVER
MP0076-01	UPPER COVER
MP0091-01	15" FRONT BEZEL
MP0092-01	SILVER VIDEO MODULE REAR BEZEL
MP0097-01	SILVER VIDEO MODULE USB WIRELESS ENCLOSURE
MP0115-01	17" SILVER VIDEO MODULE FRONT BEZEL
MW0740-03	15" LCD MOUNTING BRACKETS
MW0780-03	POWER SUPPLY BRACKET
MW0781-01	HINGE
MW0905-01	BACK PLATE
MW0906-01	UPPER SUPPORT PLATE
MW0910-05	COIN MECH BRACKET
MW0911-01	BACK OF B/A BRACKET
MW0912-01	BILL ACCEPTOR FACEPLATE (COIN ONLY)
MW0912-02	BILL ACCEPTOR FACEPLATE (B/A & COIN)
MW0913-01	COIN CHUTE
MW0914-01	COIN BOX
MW0915-02	BACK PLATE HINGE
MW0929-01	LOCK CATCH
MW0936-01	LOWER SUPPORT PLATE
MW0937-01	LOCK SLIDE RISER
MW1017-03	EXTERNAL COVER PLATE
MW1074-02	I/O MOUNTING PLATE
MW1375-01	MOTHERBOARD MOUNTING PLATE
MW1414-01	17" LCD MOUNTING BRACKET
MW1518-01	SPEAKER TERMINAL BLOCK & METER MOUNTING BRACKET
PM6064-05	\$1, \$2 & \$5 BILL ACCEPTOR DECAL FOR THE USA
SA0309-04	METER
SA0470-01	52mm FAN ASSEMBLY (BELOW HARD DRIVE)
SA0470-03	50mm FAN ASSEMBLY (BEHIND POWER SUPPLY)
SA0470-07	50mm FAN ASSEMBLY (ABOVE MOTHERBOARD)
SA0477-03	15" LCD & TOUCHSCREEN
SA0511-01	AC JUMPER CABLE
SA0514-01	B/A HARNESS

MEGATOUCH WALLETT/ENTERTAINER PARTS LIST

Item	Description
SA0515-01	AC STACKER HARNESS
SA0596-04	KEY READER (PLAYER KEY SOCKET) ASSEMBLY
SA0603-01	17" LCD & TOUCHSCREEN
SA0604-01	17" LCD W/BRACKETS & CABLING
SA10066-02	OSD SMART PANEL (MONITOR CONTROL BOARD)
SA10068-12	I/O BOARD
SA3508-01	PLAYER KEY
SA3556-XX	WALLETT 2K9 ES KEY
SA3559-XX	ION 2K9 SECURITY KEY
SA3563-XX	ENTERTAINER 2K9 SECURITY KEY
SB0016-01	KIT TOUCHSCREEN TAPE
SB0477-01	USB TOUCHSCREEN CONTROLLER
SB0492-01	15" LCD WITH BRACKETS AND CABLING
SB0530-01	KIT CPU FAN ASSEMBLY FOR ECS MOTHERBOARD
SB0532-01	17" TOUCHSCREEN
SB0535-01	KIT 15" TOUCHSCREEN W/ TAPE
SB0539-02	KIT ION 300W POWER SUPPLY
SB0546-02	2.5" ION 2K9.5 HARD DRIVE PROGRAM ASSEMBLY
SW4025-02	POWER SWITCH
SW5021-01	COIN SWITCH
ZSA10070-06	ION ECS MOTHERBOARD
ZSA10070-09	ION ASUS MOTHERBOARD