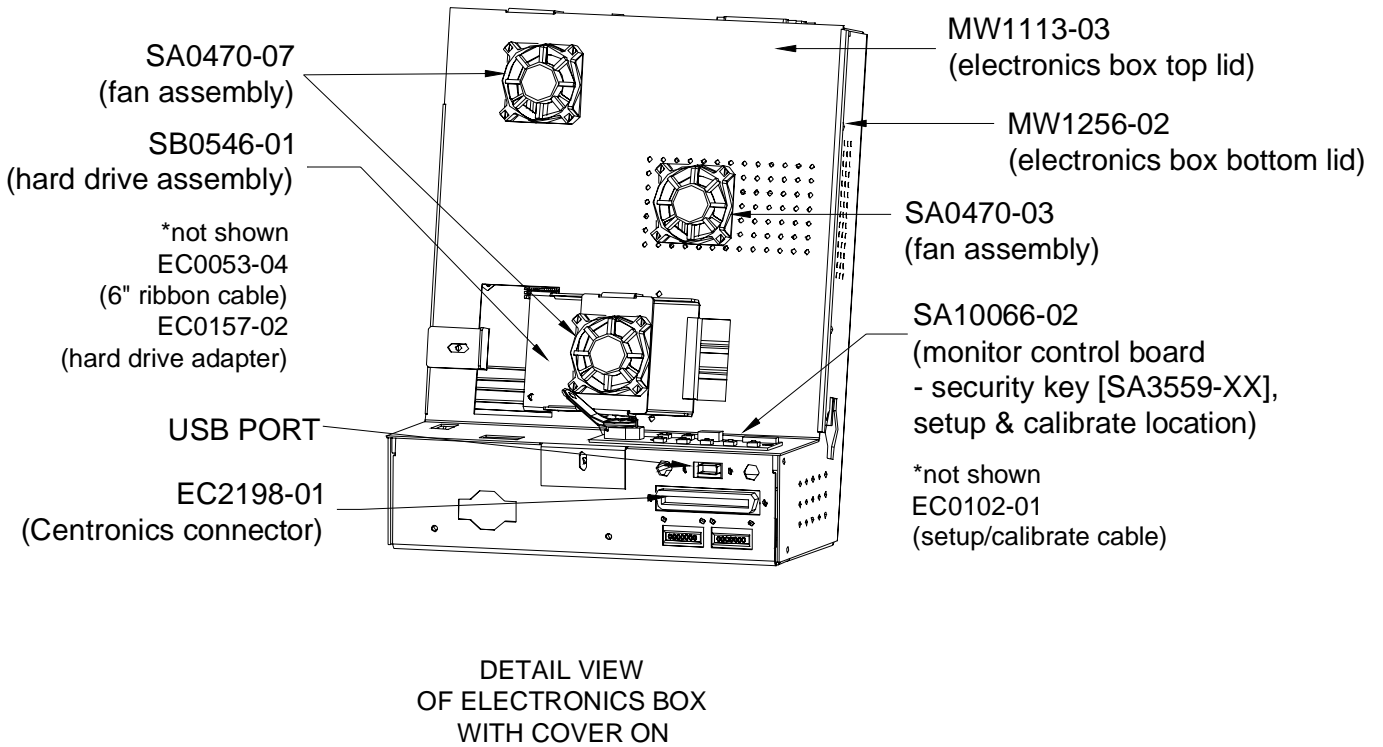
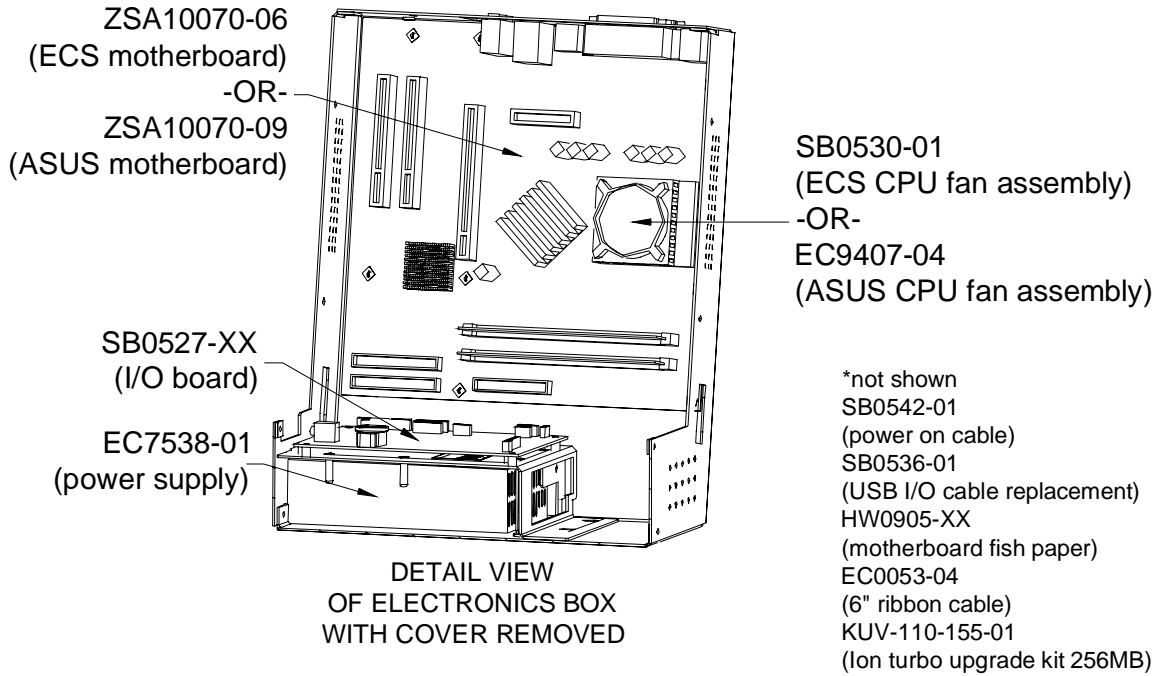
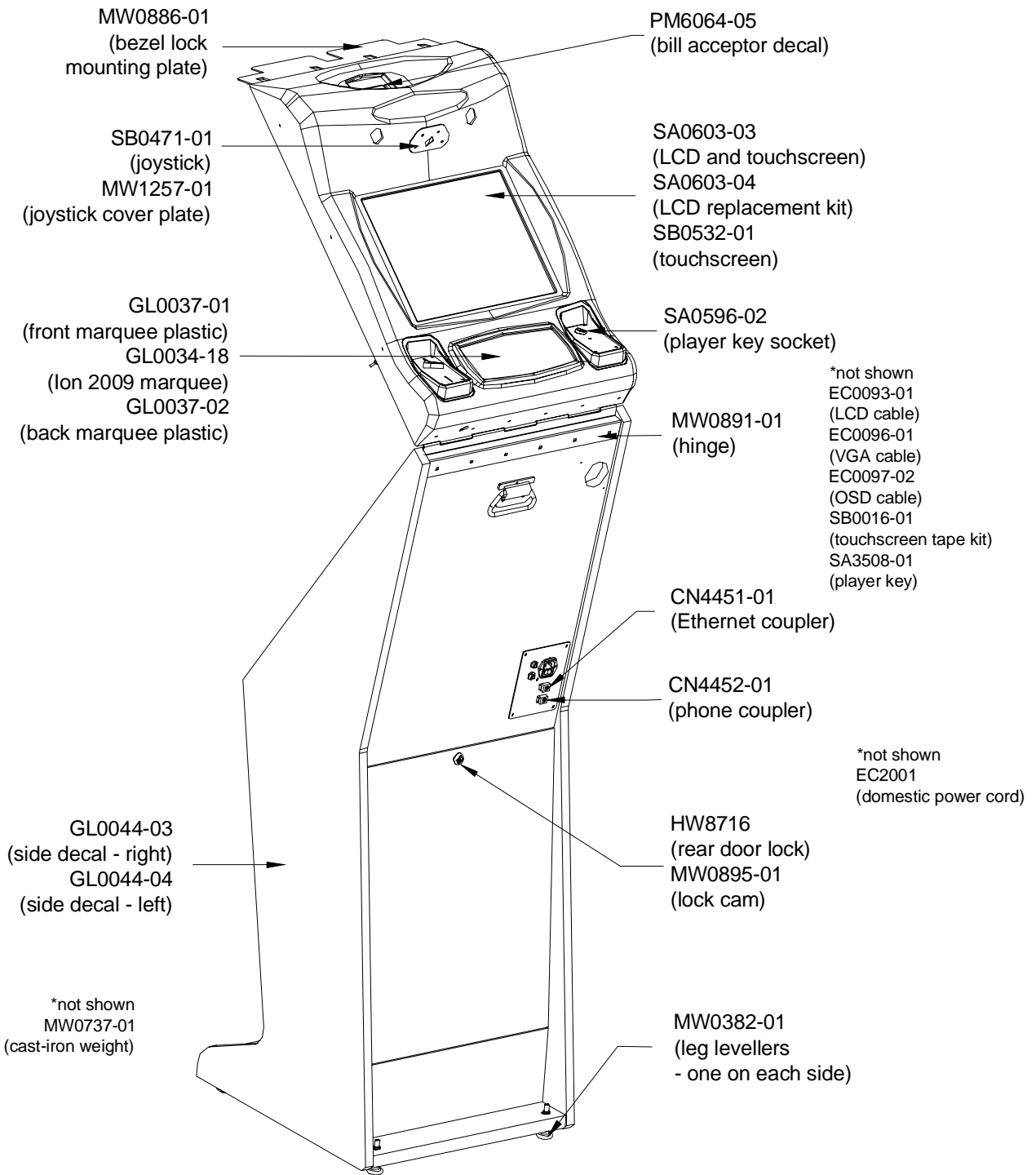


FRONT VIEW OF THE FUSION WITH THE BEZEL OPEN



FUSION ELECTRONICS BOX



REAR VIEW OF THE FUSION WITH THE BEZEL OPEN

ION FUSION PARTS LIST

Item	Description
CN4451-01	ETHERNET COUPLER
CN4452-01	PHONE COUPLER
EC0053-04	6", 40-PIN, 80-CONNECTOR, ATA100 RIBBON CABLE
EC0093-01	3" DC LCD POWER CABLE
EC0096-01	28" VGA CABLE
EC0097-02	36" ON-SCREEN DISPLAY CABLE
EC0102-01	SETUP & CALIBRATE CABLE
EC0148-02	USB WIRELESS ADAPTER
EC0157-02	2.5" HARD DRIVE IDE ADAPTER
EC0158-02	26" USB TOUCHSCREEN CONTROLLER CABLE
EC2001	POWER CORD - USA
EC2198-01	12" CENTRONICS CONNECTOR
EC7538-01	200-WATT POWER SUPPLY
EC9407-04	60MM, 7.4CFM CPU FAN FOR ASUS MOTHERBOARD
EC9702-XX	SMILEY BILL ACCEPTOR
EC9796-06	\$1, \$2 & \$5 BILL ACCEPTOR WITH 700-NOTE STACKER
GL0034-18	ION 2009 TOP MARQUEE DECAL
GL0035-02	ION BOTTOM DECAL
GL0037-01	FRONT MARQUEE PLASTIC
GL0037-02	BACK MARQUEE PLASTIC
GL0044-03	RIGHT SIDE DECAL
GL0044-04	LEFT SIDE DECAL
HW0905-XX	MOTHERBOARD INSULATOR (FISH PAPER)
HW4343	SEMS 6-32 x 5/8" L PAN HEAD PHILLIPS MACHINE SCREW (SECURING B/A)
HW7901-01	COIN CHUTE/PIPE
HW8249	COIN MECH
HW8716	FRONT BEZEL & REAR DOOR LOCKS
HW8727-02	KEYED DIFFERENT CAM LOCK, 1-3/8" L BARREL WITHOUT CAM, CAPTIVE KEY (FOR CASH DOOR)
HW9996-01	THUMBNUTS
KUV-110-155-01	KIT - ION TURBO UPGRADE 256MB
MP0054-09	FRONT BEZEL
MW0382-01	LEG LEVELLERS
MW0718-05	POWER ENTRY PLATE
MW0737-01	CAST-IRON WEIGHT
MW0886-01	BEZEL LOCK MOUNTING PLATE
MW0887-01	CATCH BRACKET
MW0889-01	CASH PANEL
MW0890-01	SPEAKER PANEL
MW0890-02	TRIM SPEAKER PANEL
MW0891-01	HINGE
MW0893-01	BEZEL BRACKET
MW0894-01	UPPER COIN ENTRY BRACKET
MW0894-02	LOWER COIN ENTRY BRACKET
MW0895-01	BEZEL & REAR DOOR LOCK CAM
MW0896-01	CASH PANEL LOCK CAM
MW0902-01	FOOT PANEL
MW1113-03	ELECTRONICS BOX TOP LID
MW1256-02	ELECTRONICS BOX BOTTOM LID
MW1257-01	JOYSTICK COVER PLATE
PM6064-05	\$1, \$2 & \$5 BILL ACCEPTOR DECAL FOR THE USA
SA0307-02	60mm FAN ASSEMBLY
SA0470-03	50mm FAN ASSEMBLY (ON FACE OF ELEC. BOX, ON TOP OF HARD DRIVE)
SA0470-07	50mm FAN ASSEMBLY (2 ON FACE OF ELEC. BOX)
SA0590-10	ELECTRONICS BOX
SA0596-02	KEY READER (PLAYER KEY SOCKET) ASSEMBLY
SA0603-03	17" LCD & TOUCHSCREEN
SA0603-04	17" LCD REPLACEMENT KIT
SA10066-02	OSD SMART PANEL (MONITOR CONTROL BOARD)
SA3508-01	PLAYER KEY
SA3559-XX	ION 2K9 SECURITY KEY
SA4084	2-PIN CONNECTION, 4" SPEAKER ASSEMBLY
SB0016-01	KIT TOUCHSCREEN TAPE
SB0471-01	JOYSTICK ASSEMBLY
SB0477-01	USB TOUCHSCREEN CONTROLLER
SB0527-XX	I/O BOARD
SB0530-01	KIT CPU FAN ASSEMBLY FOR ECS MOTHERBOARD
SB0532-01	17" TOUCHSCREEN
SB0536-01	USB I/O CABLE REPLACEMENT
SB0542-01	ION POWER ON CABLE
SB0546-01	2.5" ION 2K9 HARD DRIVE PROGRAM ASSEMBLY
ZSA10070-06	ION ECS MOTHERBOARD
ZSA10070-09	ION ASUS MOTHERBOARD