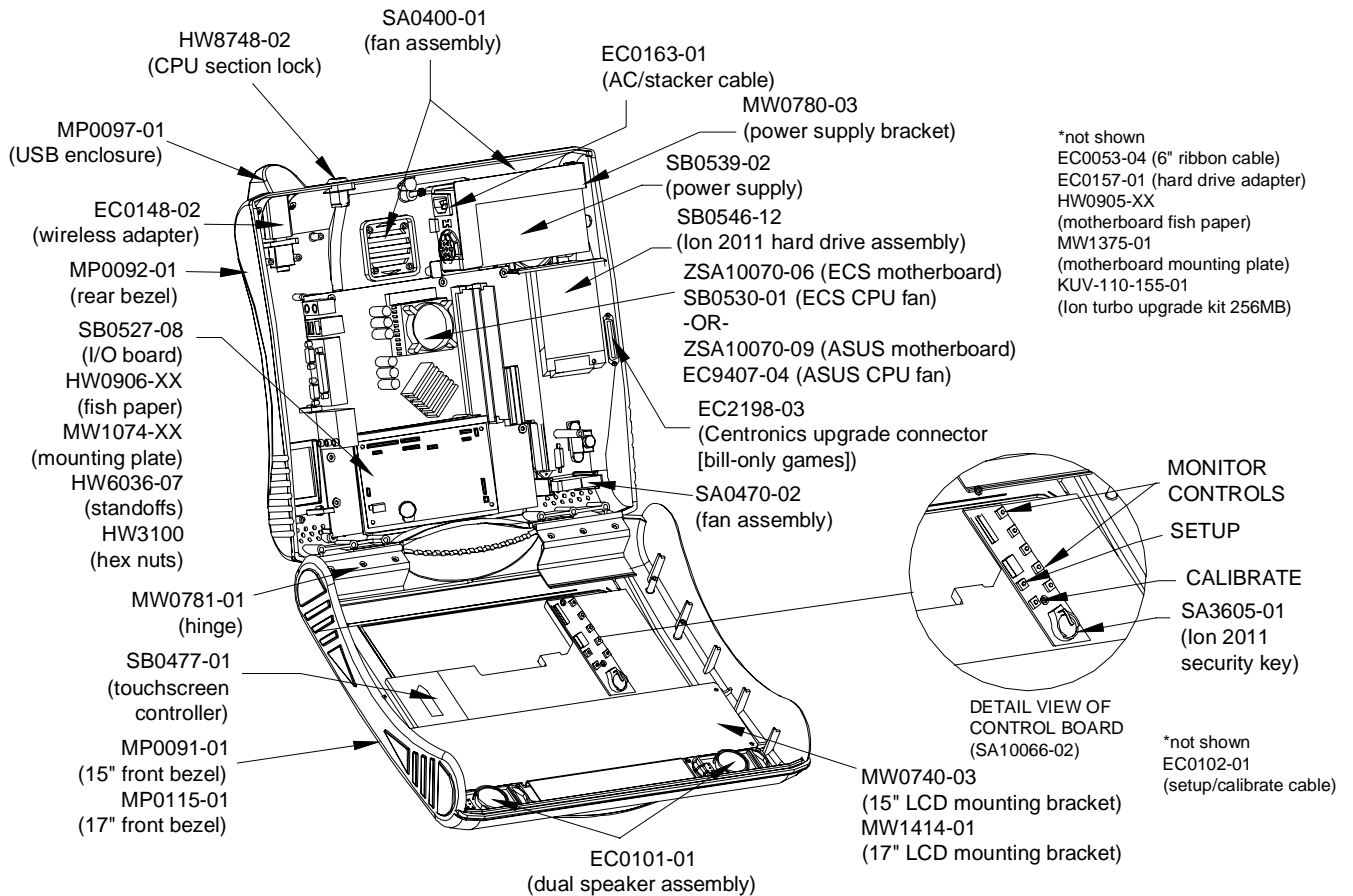
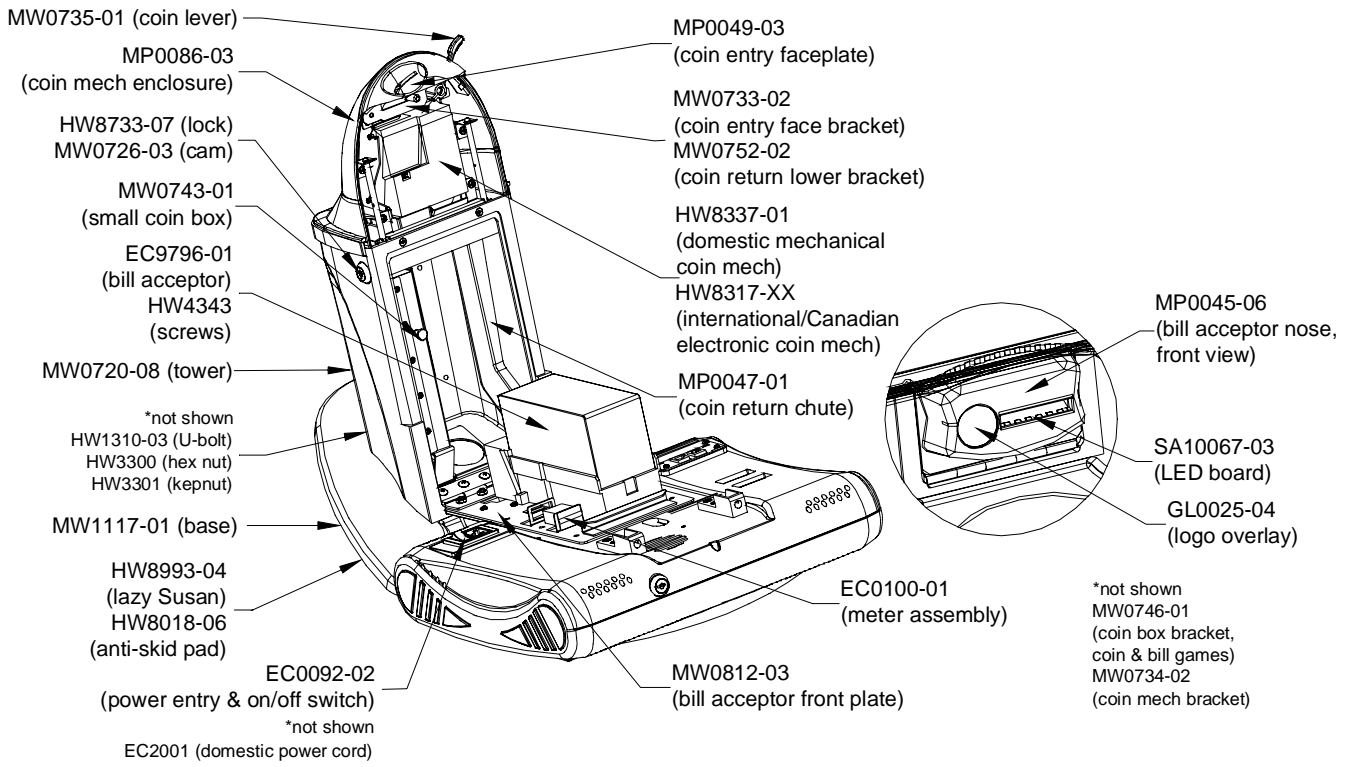


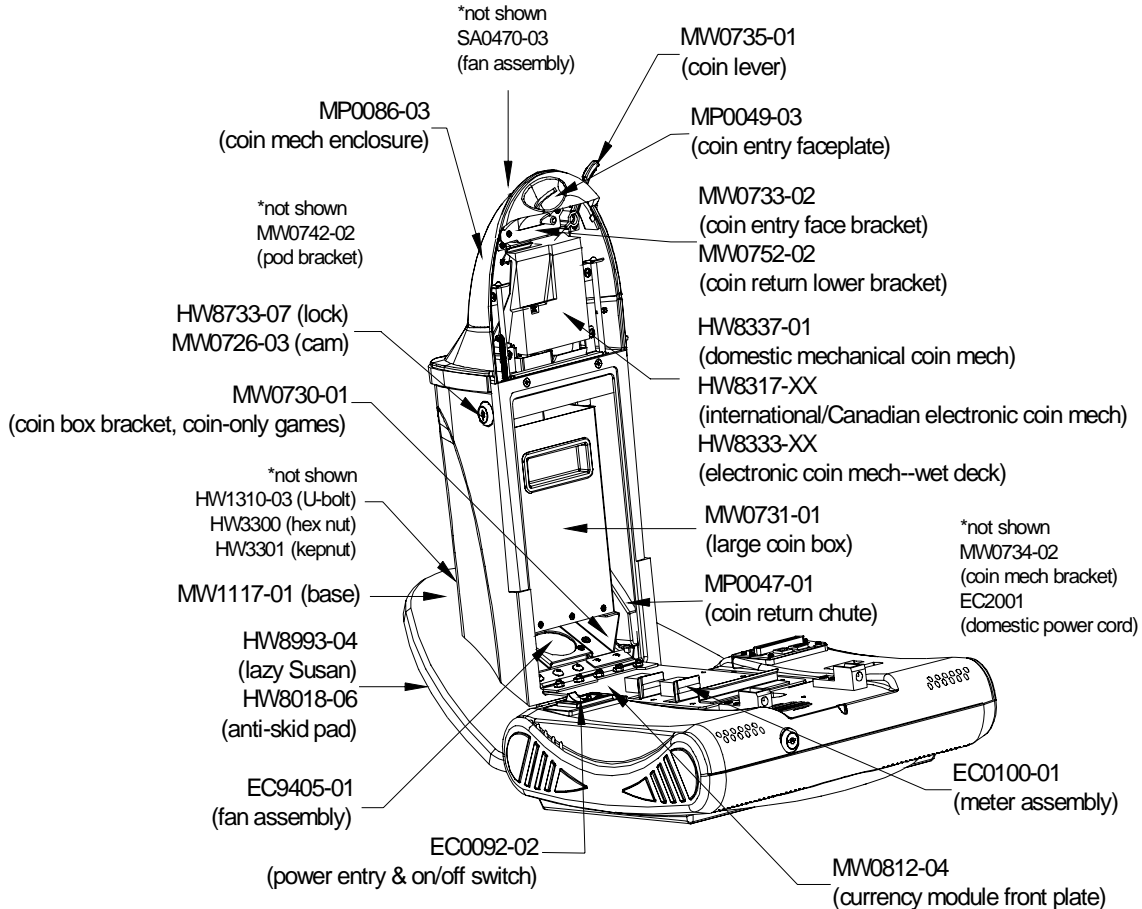
FRONT VIEW OF THE EVO



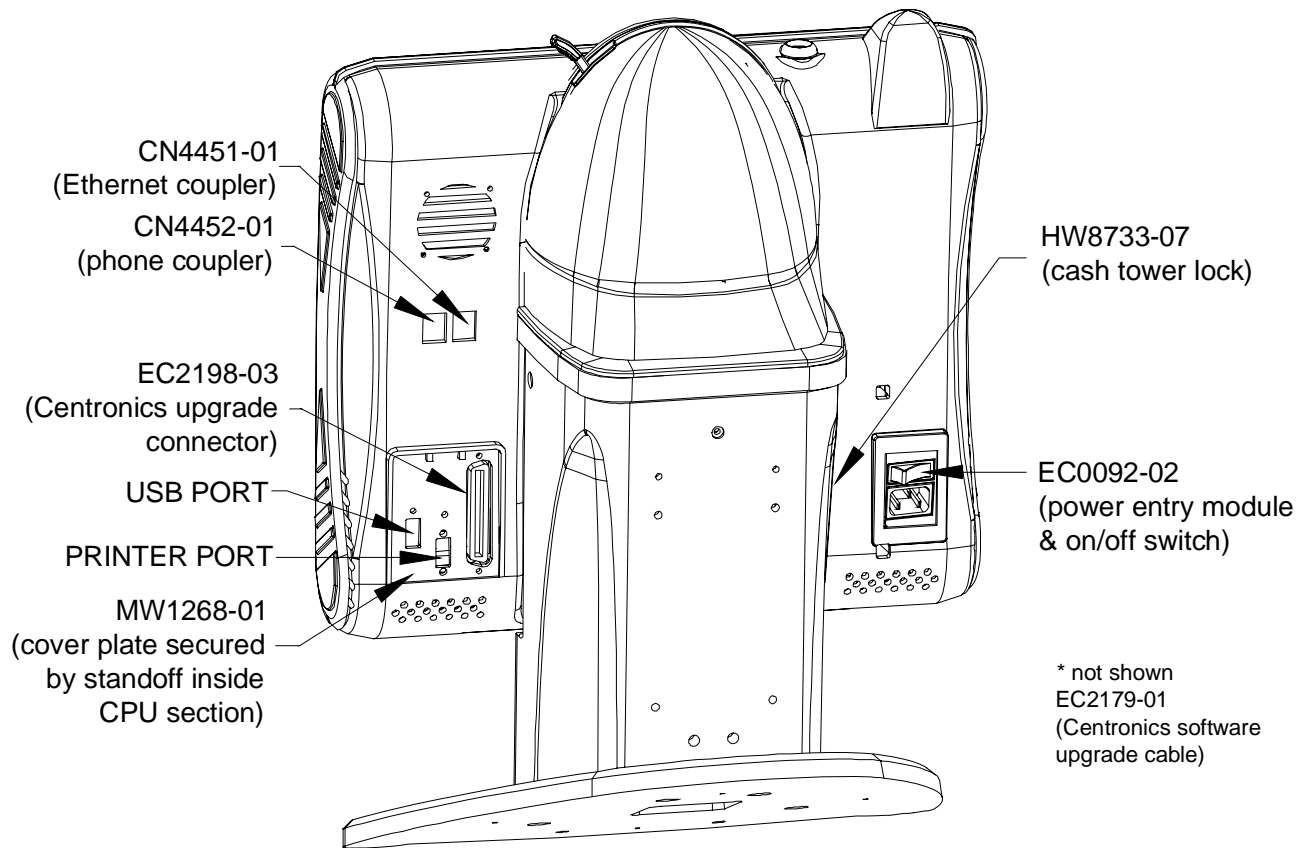
EVO WITH CPU SECTION OPEN



EVO WITH BILL & COIN - CASH TOWER SECTION OPEN



EVO WITH COIN ONLY - CASH TOWER SECTION OPEN



REAR VIEW OF THE EVO

ION EVO PARTS LIST

Item	Description
CN4451-01	ETHERNET COUPLER
CN4452-01	PHONE COUPLER
EC0053-04	6", 40-PIN, 80-CONNECTOR, ATA100 RIBBON CABLE
EC0092-02	POWER ENTRY MODULE & ON/OFF SWITCH
EC0093-01	3" DC LCD POWER CABLE
EC0096-01	28" VGA CABLE
EC0097-01	21" ON-SCREEN DISPLAY CABLE
EC0100-01	12-VOLT SNAP-IN MOUNTING METER
EC0101-01	DUAL SPEAKER ASSEMBLY
EC0102-01	SETUP & CALIBRATE CABLE
EC0148-02	USB WIRELESS ADAPTER
EC0157-01	2.5" HARD DRIVE IDE ADAPTER
EC0158-02	26" USB TOUCHSCREEN CONTROLLER CABLE
EC0163-01	AC/STACKER CABLE
EC2001	POWER CORD - USA
EC2179-01	CENTRONICS SOFTWARE UPGRADE CABLE
EC9405-01	50MM FAN (AT BASE OF CASH TOWER)
EC9407-04	60MM, 7.4CFM CPU FAN FOR ASUS MOTHERBOARD
EC9796-01	\$1, \$2 & \$5 BILL ACCEPTOR WITH 500-NOTE STACKER
GL0025-04	MERIT LOGO OVERLAY
GL0038-01	MARQUEE PLASTIC
GL0072-11	MEGATOUCH MARQUEE SIGN FOR 17" MODELS
HW0905-XX	ASUS MOTHERBOARD INSULATOR (FISH PAPER)
HW0906-XX	I/O BOARD INSULATOR (FISH PAPER)
HW1310-03	U-BOLT
HW3100	#6-32 HEXNUT FOR I/O MOUNTING PLATE STANDOFF
HW3300	1/4-20 HEXNUT
HW3301	1/4-20 KEPNUT
HW4343	SEMS 6-32 x 5/8"L PAN HEAD PHILLIPS MACHINE SCREW (SECURING B/A)
HW6036-07	#6-32 x 1.25L x .25 HEX STANDOFF M<F FOR I/O MOUNTING PLATE
HW8018-06	11-1/2"OD ANTI-SKID PAD
HW8317-XX	INTERNATIONAL/CANADIAN ELECTRONIC COIN MECH
HW8333-XX	ELECTRONIC COIN MECH - WET DECK
HW8337-01	DOMESTIC MECHANICAL COIN MECH
HW8733-07	KEYED DIFFERENT, 7/8" LONG BARREL LOCK WITHOUT CAM
HW8748-02	HIGH-SECURITY KEYED LOCK (FOR CPU SECTION)
HW8993-04	12" DIAM. 15" STOPS LAZY SUSAN
KUV-110-155-01	KIT - ION TURBO UPGRADE 256MB
LB0003-03	12" WHITE LAMP
MP0045-06	BILL ACCEPTOR NOSE
MP0047-01	COIN RETURN CHUTE
MP0049-03	SILVER CURRENCY MODULE COIN ENTRY
MP0086-03	SILVER CURRENCY MODULE & CURRENCY MODULE POD
MP0091-01	15" FRONT BEZEL
MP0092-01	SILVER VIDEO MODULE REAR BEZEL
MP0097-01	SILVER VIDEO MODULE USB WIRELESS ENCLOSURE
MP0115-01	17" SILVER VIDEO MODULE FRONT BEZEL
MW0720-08	TOWER
MW0726-03	LOCK CAM
MW0730-01	COIN BOX BRACKET (COIN-ONLY GAMES)
MW0731-01	LARGE COIN BOX (COIN-ONLY GAMES)
MW0733-02	COIN ENTRY FACE BRACKET
MW0734-02	COIN MECH BRACKET
MW0735-01	COIN LEVER
MW0740-03	15" LCD MOUNTING BRACKET
MW0742-02	POD BRACKET
MW0743-01	SMALL COIN BOX (COIN & BILL GAMES)
MW0746-01	COIN BOX BRACKET (COIN/BILL GAMES)
MW0752-02	COIN RETURN LOWER BRACKET
MW0780-03	POWER SUPPLY BRACKET
MW0781-01	HINGE
MW0812-03	CURRENCY MODULE FRONT PLATE, BILL-ONLY OR COIN & BILL
MW0812-04	CURRENCY MODULE FRONT PLATE, COIN-ONLY
MW1074-XX	I/O MOUNTING PLATE

ION EVO PARTS LIST

Item	Description
MW1117-01	TOWER MODULE BASE
MW1268-01	CENTRONICS COVER PLATE
MW1375-01	MOTHERBOARD MOUNTING PLATE
MW1414-01	17" LCD MOUNTING BRACKET
PA0086-XX	CONFIGURED ION MODEM
PM6064-05	\$1, \$2 & \$5 BILL ACCEPTOR DECAL FOR THE USA
PM8950-28	MEGATOUCH MARQUEE SIGN FOR 15" MODELS
SA0400-01	52mm DUAL FAN ASSEMBLY (BEHIND POWER SUPPLY AND ABOVE MOTHERBOARD)
SA0470-02	50mm FAN ASSEMBLY (BELOW HARD DRIVE)
SA0470-03	50mm FAN ASSEMBLY (IN COIN MECH ENCLOSURE)
SA0477-03	15" LCD & TOUCHSCREEN
SA0596-04	KEY READER (PLAYER KEY SOCKET) ASSEMBLY
SA0603-01	17" LCD & TOUCHSCREEN
SA0604-01	17" LCD W/BRACKETS & CABLING
SA10066-02	OSD SMART PANEL (MONITOR CONTROL BOARD)
SA10067-03	LED BOARD
SA3508-01	PLAYER KEY
SA3605-01	ION 2011 SECURITY KEY
SB0016-01	KIT TOUCHSCREEN TAPE
SB0465-01	BILL ACCEPTOR LED BOARD/FAN REPLACEMENT
SB0471-01	JOYSTICK ASSEMBLY
SB0477-01	USB TOUCHSCREEN CONTROLLER
SB0492-01	15" LCD WITH BRACKETS AND CABLING
SB0527-08	I/O BOARD
SB0530-01	KIT CPU FAN ASSEMBLY FOR ECS MOTHERBOARD
SB0532-01	17" TOUCHSCREEN
SB0535-01	KIT 15" TOUCHSCREEN W/ TAPE
SB0539-02	KIT ION 300W POWER SUPPLY
SB0546-12	2.5" ION 2011 HARD DRIVE PROGRAM ASSEMBLY
ZSA10070-06	ION ECS MOTHERBOARD
ZSA10070-09	ION ASUS MOTHERBOARD