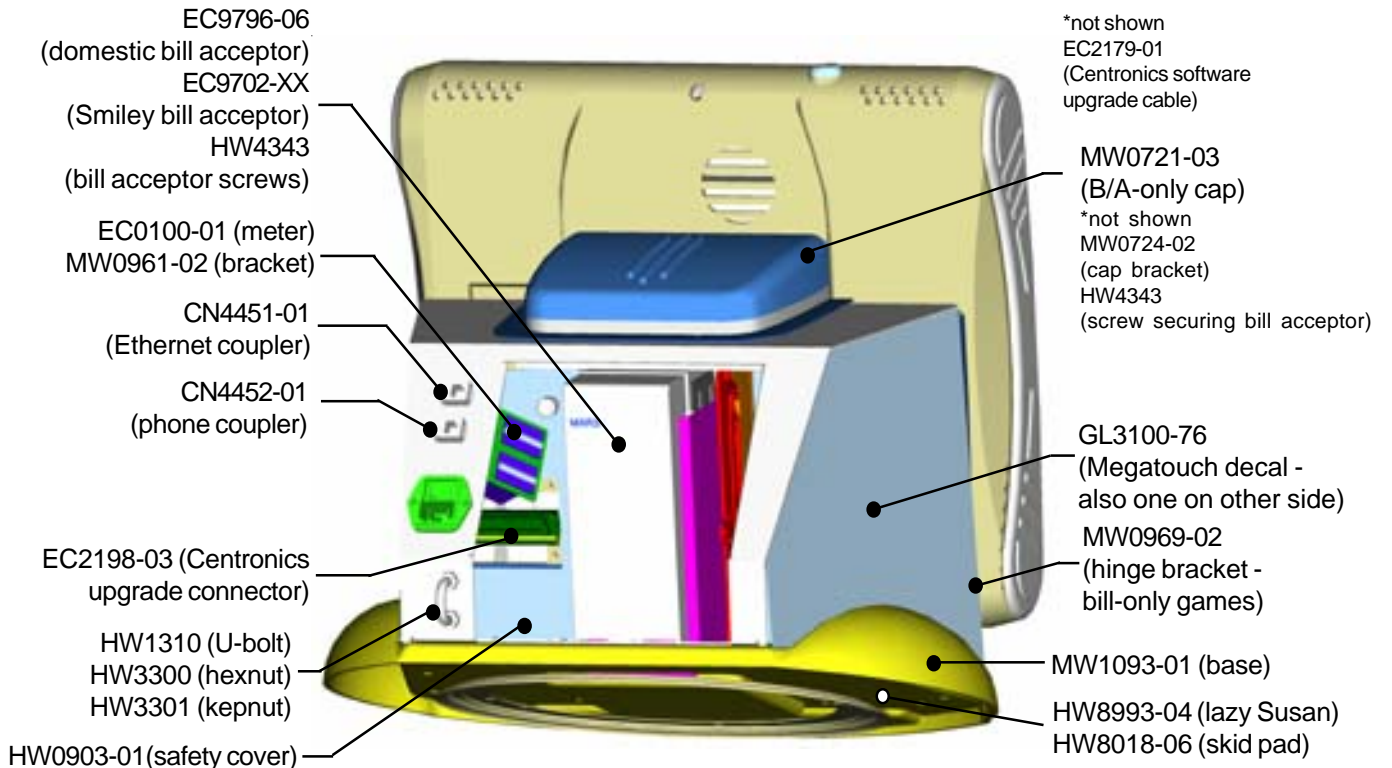
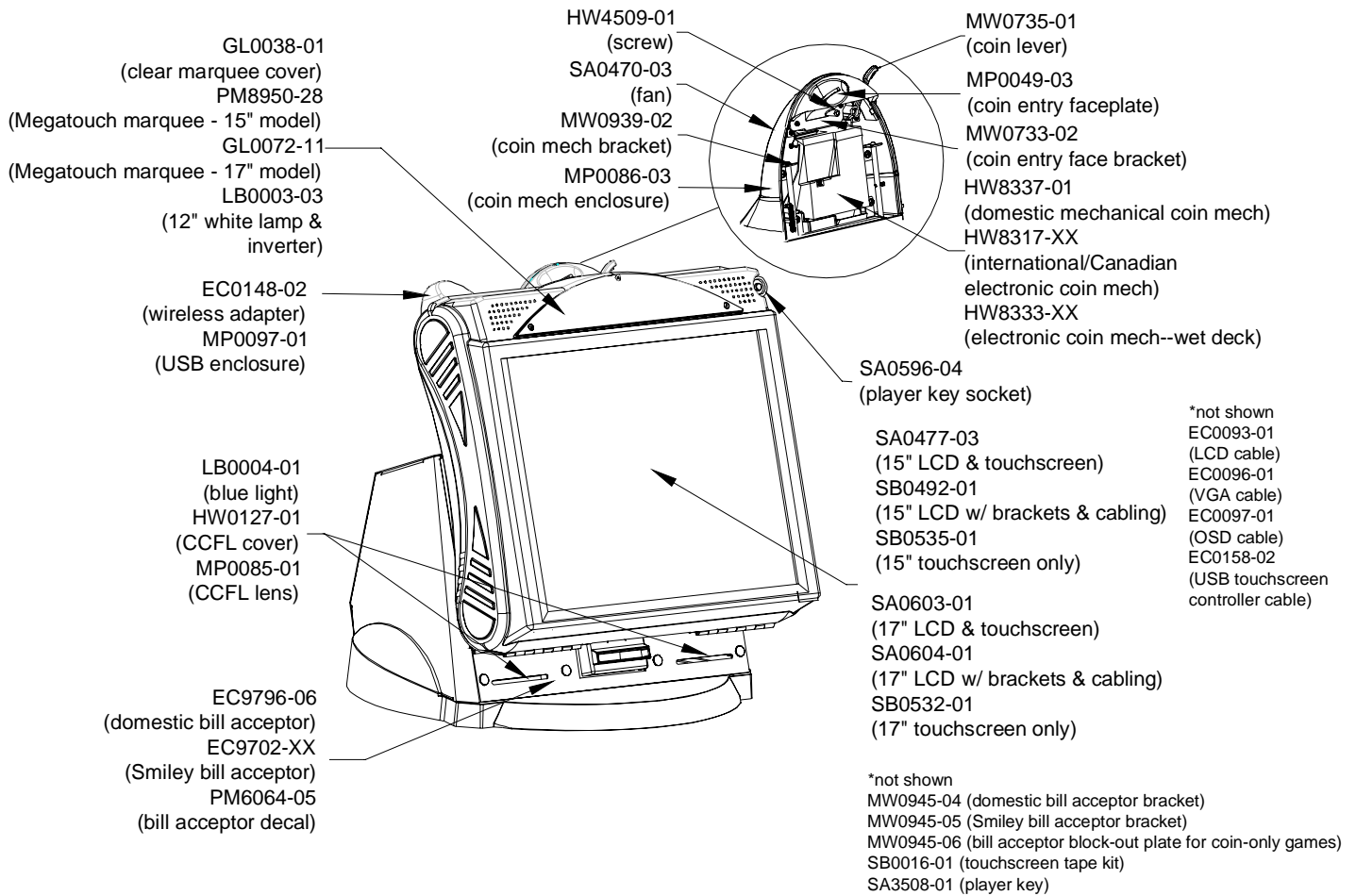


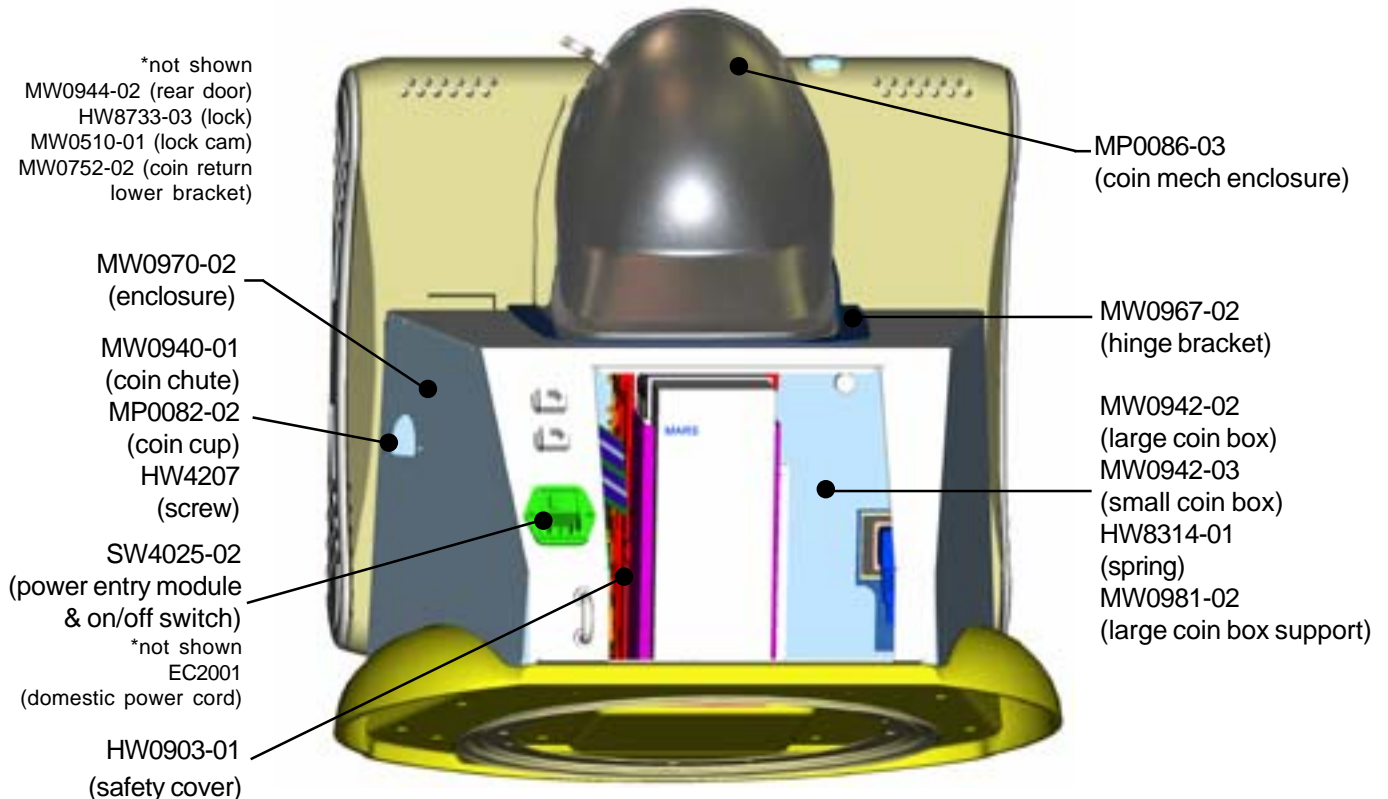
ELITE EDGE WITH CPU SECTION OPEN



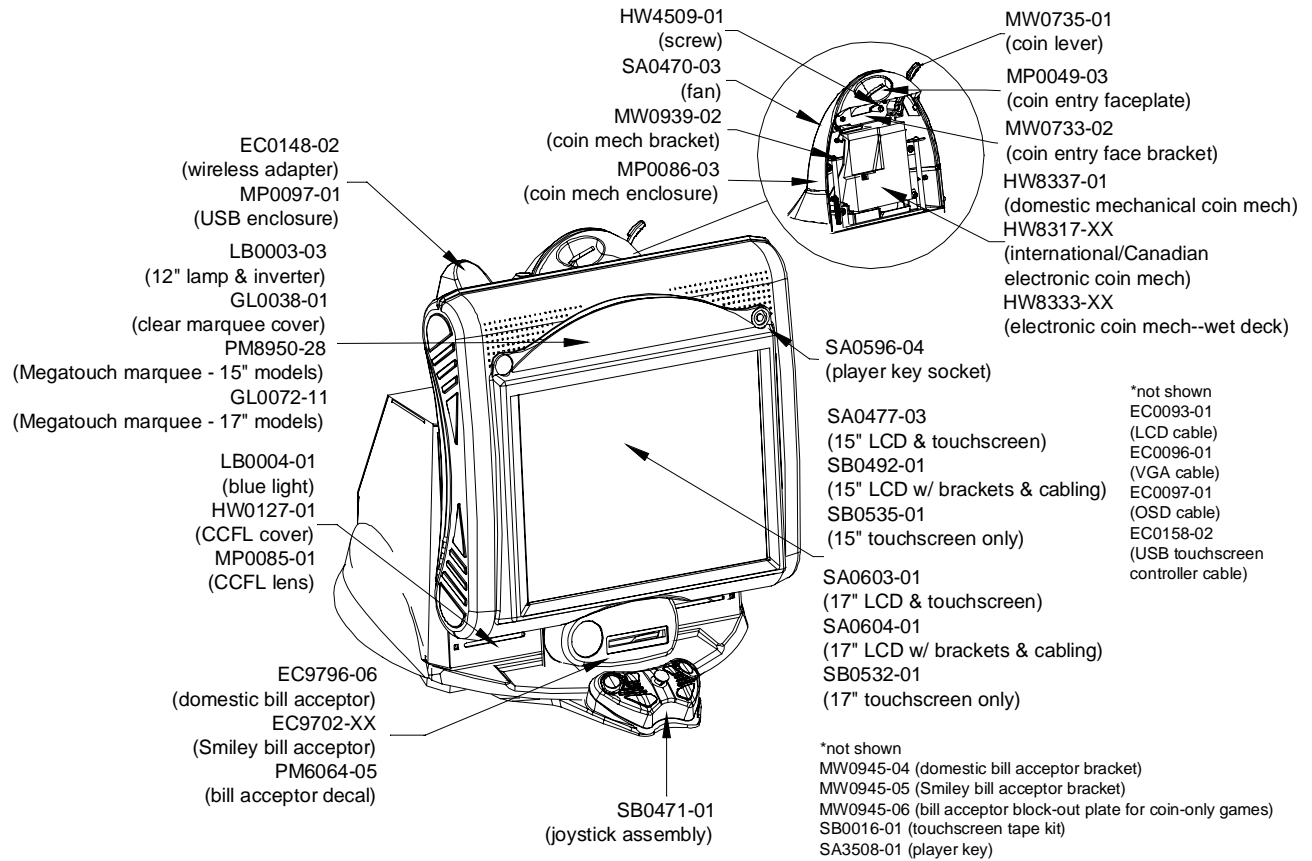
ELITE EDGE - BILL ONLY



ION ELITE EDGE WITHOUT JOYSTICK



ELITE EDGE - COIN ONLY OR COIN AND BILL



ION ELITE EDGE WITH JOYSTICK

ION ELITE EDGE PARTS LIST

Item	Description
CN4451-01	ETHERNET COUPLER
CN4452-01	PHONE COUPLER
EC0053-04	6", 40-PIN, 80-CONNECTOR, ATA100 RIBBON CABLE
EC0092-02	POWER ENTRY MODULE & ON/OFF SWITCH (BACK OF CPU SECTION)
EC0093-01	3" DC LCD POWER CABLE
EC0096-01	28" VGA CABLE
EC0097-01	21" ON-SCREEN DISPLAY CABLE
EC0100-01	12-VOLT SNAP-IN MOUNTING METER
EC0101-01	DUAL SPEAKER ASSEMBLY
EC0102-01	SETUP & CALIBRATE CABLE
EC0148-02	USB WIRELESS ADAPTER
EC0157-01	2.5" HARD DRIVE IDE ADAPTER
EC0158-02	26" USB TOUCHSCREEN CONTROLLER CABLE
EC0163-01	AC/STACKER CABLE
EC2001	POWER CORD - USA
EC2179-01	CENTRONICS SOFTWARE UPGRADE CABLE
EC2198-03	7" CENTRONICS CABLE
EC9407-04	60MM, 7.4CFM CPU FAN FOR ASUS MOTHERBOARD
EC9702-XX	SMILEY BILL ACCEPTOR
EC9796-06	\$1, \$2 & \$5 DOMESTIC BILL ACCEPTOR WITH 700-NOTE STACKER
GL0038-01	MARQUEE PLASTIC
GL0072-11	MEGATOUCH MARQUEE SIGN FOR 17" MODELS
GL3100-76	MEGATOUCH DECAL
HW0127-01	CCFL COVER
HW0903-01	SAFETY COVER
HW0905-XX	ASUS MOTHERBOARD INSULATOR (FISH PAPER)
HW0906-XX	I/O BOARD INSULATOR (FISH PAPER)
HW1310	U-BOLT
HW3100	#6-32 HEXNUT FOR I/O MOUNTING PLATE STANDOFF
HW3300	1/4-20 HEXNUT
HW3301	1/4-20 KEPNUT
HW4207	6-32 x 1/4"L PAN HEAD PHILLIPS SHEET METAL SCREW, BLACK
HW4343	SEMS 6-32 x 5/8"L PAN HEAD PHILLIPS MACHINE SCREW (SECURING B/A)
HW4509-01	SCREW FOR COIN MECH
HW6036-07	#6-32 x 1.25L x .25 HEX STANDOFF M<F FOR I/O MOUNTING PLATE
HW8018-06	11-1/2"OD ANTI-SKID PAD
HW8314-01	EXTENSION SPRING, STAINLESS STEEL, 1/4"OUTSIDE DIAM. x 3-1/2"L
HW8317-XX	INTERNATIONAL/CANADIAN ELECTRONIC COIN MECH
HW8333-XX	ELECTRONIC COIN MECH - WET DECK
HW8337-01	DOMESTIC MECHANICAL COIN MECH
HW8733-03	5/8" LONG LOCK, KEYED DIFFERENT, CAPTIVE KEY, HIGH-SECURITY, W/OUT CAM FOR CASH SECTION
HW8748-02	HIGH-SECURITY KEYED LOCK (FOR CPU SECTION)
HW8993-04	12" DIAM. 15" STOPS LAZY SUSAN
KUV-110-155-01	KIT - ION TURBO UPGRADE 256MB
LB0003-03	12" WHITE LAMP
LB0004-01	BLUE LIGHT
MP0049-03	COIN ENTRY FACEPLATE
MP0082-02	COIN CUP
MP0085-01	CCFL LENS
MP0086-03	COIN MECH ENCLOSURE
MP0091-01	15" FRONT BEZEL
MP0092-01	SILVER VIDEO MODULE REAR BEZEL
MP0097-01	SILVER VIDEO MODULE USB WIRELESS ENCLOSURE
MP0115-01	17" SILVER VIDEO MODULE FRONT BEZEL
MW0510-01	COINBOX LOCK CAM
MW0721-03	B/A-ONLY CAP
MW0724-02	REAR CAP BRACKET, B/A ONLY
MW0733-02	COIN ENTRY FACE BRACKET
MW0735-01	COIN LEVER
MW0740-03	15" LCD MOUNTING BRACKET
MW0752-02	COIN RETURN LOWER BRACKET
MW0780-03	POWER SUPPLY BRACKET
MW0781-01	HINGE
MW0939-02	COIN MECH BRACKET
MW0940-01	COIN CHUTE
MW0942-02	LARGE COIN BOX
MW0942-03	SMALL COIN BOX
MW0944-02	REAR DOOR
MW0945-04	DOMESTIC BILL ACCEPTOR BRACKET
MW0945-05	SMILEY BILL ACCEPTOR BRACKET
MW0945-06	BILL ACCEPTOR BLOCK-OUT PLATE (COIN-ONLY GAMES)
MW0961-02	METER BRACKET
MW0967-02	HINGE BRACKET
MW0969-02	HINGE BRACKET (B/A ONLY)

ION ELITE EDGE PARTS LIST

Item	Description
MW0970-02	CURRENCY MODULE ENCLOSURE
MW0981-02	COIN BOX SUPPORT FOR LARGE COIN BOX (INTERNATIONAL COIN-ONLY GAMES)
MW1074-XX	I/O MOUNTING PLATE
MW1093-01	BASE FOR ELITE EDGE WITH JOYSTICK
MW1375-01	MOTHERBOARD MOUNTING PLATE
MW1414-01	17" LCD MOUNTING BRACKET
MW1528-01	CURRENCY MODULE BASE
PA0086-XX	CONFIGURED ION MODEM
PM6064-05	\$1, \$2 & \$5 BILL ACCEPTOR DECAL FOR THE USA
PM8950-28	MEGATOUCH MARQUEE SIGN FOR 15" MODELS
SA0400-01	52mm DUAL FAN ASSEMBLY (BEHIND POWER SUPPLY AND ABOVE MOTHERBOARD)
SA0470-02	50mm FAN ASSEMBLY (BELOW HARD DRIVE)
SA0470-03	50mm FAN ASSEMBLY (IN COIN MECH ENCLOSURE)
SA0477-03	15" LCD & TOUCHSCREEN
SA0596-04	KEY READER (PLAYER KEY SOCKET) ASSEMBLY
SA0603-01	17" LCD & TOUCHSCREEN
SA0604-01	17" LCD W/BRACKETS & CABLING
SA10066-02	OSD SMART PANEL (MONITOR CONTROL BOARD)
SA3508-01	PLAYER KEY
SA3605-01	ION 2011 SECURITY KEY
SB0016-01	KIT TOUCHSCREEN TAPE
SB0471-01	JOYSTICK ASSEMBLY
SB0477-01	USB TOUCHSCREEN CONTROLLER
SB0492-01	15" LCD WITH BRACKETS AND CABLING
SB0527-08	I/O BOARD
SB0530-01	KIT CPU FAN ASSEMBLY FOR ECS MOTHERBOARD
SB0532-01	17" TOUCHSCREEN
SB0535-01	KIT 15" TOUCHSCREEN W/ TAPE
SB0539-02	KIT ION 300W POWER SUPPLY
SB0546-12	2.5" ION 2011 HARD DRIVE PROGRAM ASSEMBLY
SW4025-02	POWER SWITCH
ZSA10070-06	ION ECS MOTHERBOARD
ZSA10070-09	ION ASUS MOTHERBOARD