

ATTENTION:

OBSERVE PRECAUTIONS FOR HANDLING ELECTROSTATIC DEVICES

Removal/Installation of Monitor - FORCE Upright w/o Coin Door

Monitor Removal

1. Turn off and unplug the game.
2. Open the rear door to gain access to the monitor. See Figure 1.
3. Disconnect all harnesses from the monitor.
4. Remove the screws fastening the touchscreen controller to the game, then disconnect the cable from behind the controller and disconnect the Molex connector (orange and gray wires) running from the touchscreen controller cable to the main power harness.
5. Remove both bolts securing the rear of the monitor shelf to the cabinet. See Figure 2.
6. Open the front bezel.
7. Remove both bolts securing the front of the monitor shelf to the cabinet (located on the underside of the shelf). See Figure 2.
8. Remove the ground strap attached to the monitor door.
9. Pull the monitor up and out through the front of the game.

Monitor Installation

1. Place the new monitor in the game.
2. Replace the ground strap on the monitor door.
3. Fasten the front of the monitor shelf to the cabinet with the 2 bolts (see Figure 2).
4. Close the front bezel.
5. Secure the rear of the monitor shelf to the cabinet with the 2 bolts (see Figure 2).
6. Connect the touchscreen cable in the back of the controller and secure the controller in the game with the existing hardware. Also connect the Molex connector (orange and gray wires) to the main power harness.
7. Reconnect all harnesses to the monitor.
8. Close the rear door.
9. Plug in and turn on the game.

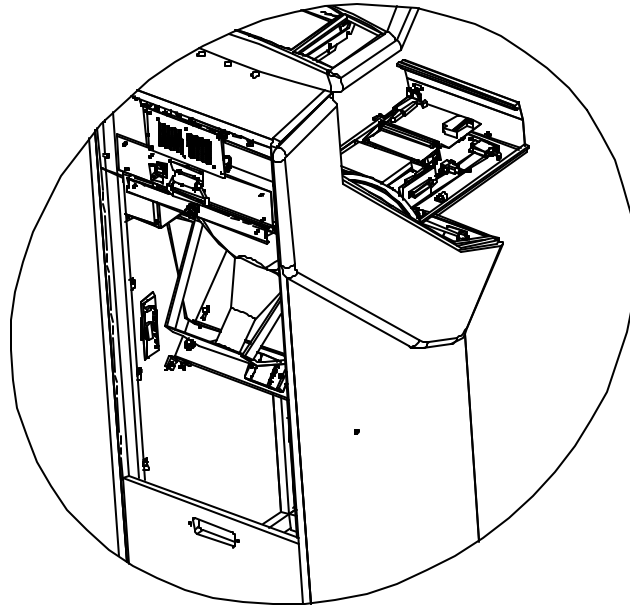


FIGURE 1 - MONITOR ACCESS

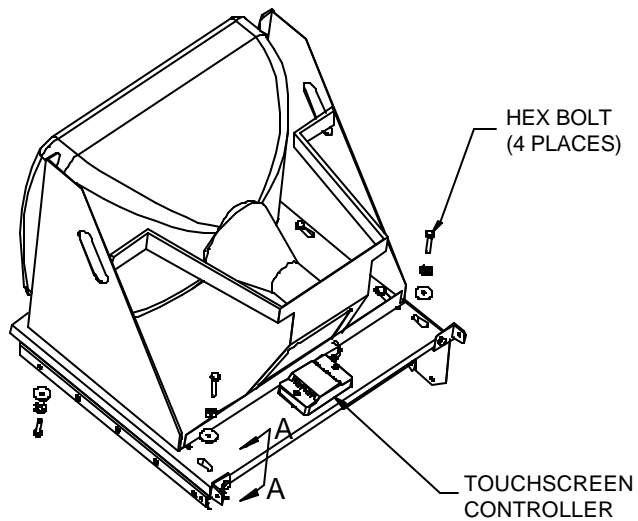


FIGURE 2 - MONITOR REMOVAL