

## **ATTENTION:**

OBSERVE PRECAUTIONS FOR HANDLING ELECTROSTATIC DEVICES

### **Removal/Installation of Hard Drive - FORCE Elite Countertop**

#### **Hard Drive Removal**

1. Turn off and unplug the game.
2. Unlock and open the rear door.
3. Remove the screw securing the hard drive mounting plate (see Figure 1) and slide the hard drive assembly towards the back of the unit.
4. Remove the 4 screws and shoulder washers fastening the hard drive to the mounting plate.
5. Lift the hard drive out of the game until you're able to disconnect the 4-pin power connector and the hard drive ribbon cable from the rear of the hard drive.

#### **Hard Drive Installation**

1. Connect the power connector and the ribbon cable to the hard drive.
2. Fasten the hard drive to the mounting plate with the 4 screws and shoulder washers.
3. Slide the hard drive assembly into the game and fasten it with the mounting screw.
4. Close and lock the rear door.
5. Plug in and turn on the game.

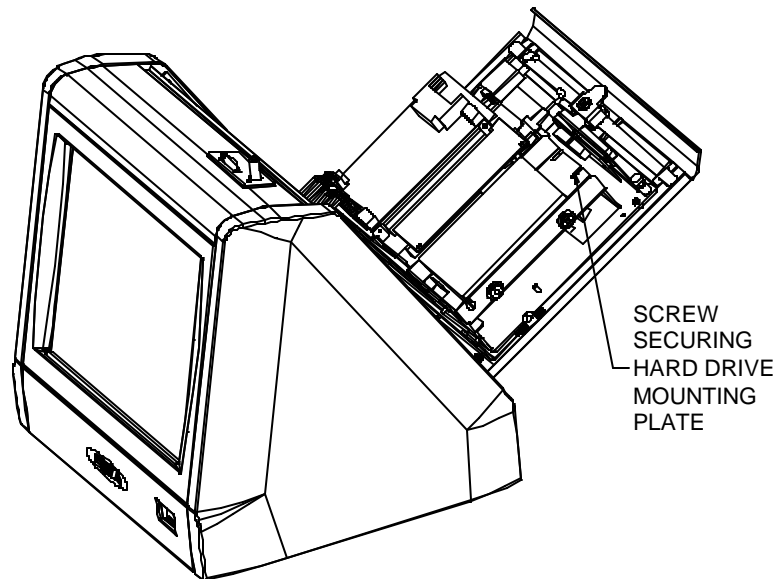


FIGURE 1 - HARD DRIVE ACCESS