

ATTENTION:

OBSERVE PRECAUTIONS FOR HANDLING ELECTROSTATIC DEVICES

Removal/Installation of Touchscreen - EZ MAXX/MAXX Elite

Touchscreen Removal

1. Turn off and unplug the game.
2. Unlock and open the rear door.
3. Disconnect the monitor power connection (black and yellow wires) running to the power supply.
4. Disconnect the monitor signal cable from the motherboard and remove it from the cable clamps.
5. Inside the game, access the latches for each side panel and remove both panels (see Figure 1).
6. Remove the two nuts and washers securing the touchscreen controller to the game and remove the controller from the mounting screws. Then disconnect the cable from the back of the controller and disconnect the Molex connector (orange and gray wires) running from the touchscreen controller cable to the main power harness.
7. Remove the 3 screws at the top of each side piece fastening the top cover to the game (see Figure 2) and remove the top cover.
8. Loosen the 5/16" nuts securing the 2 LCD clips (one on each side piece). See Figure 2.
9. Lift the bezel and monitor assembly from the game.
10. Remove the 3 screws on top of the front bezel (see Figure 2) and separate the bezel from the monitor.
11. Use dental floss to carefully cut the foam tape holding the touchscreen to the monitor until you are able to completely remove the touchscreen.
12. Remove any remaining adhesive residue with denatured alcohol, then clean the monitor glass with the supplied alcohol wipe.

Touchscreen Installation

1. Clean the reverse side of the replacement touchscreen with the supplied alcohol wipe.
2. Cut pieces of the supplied 1/2" double-sided foam tape long enough to cover each edge of the screen without overlapping. After the tape is in place on the screen, peel off the backing.
3. Replace the new touchscreen over the monitor (with the cable on the left if you are facing the game), making sure the screen is properly and evenly aligned over the monitor glass. Then clean the front of the screen with the supplied alcohol wipe.
4. Reattach the front bezel to the monitor with the 3 screws removed earlier. See Figure 2.
5. Replace the monitor assembly, aligning it with the support brackets inside the game and making sure the LCD clips fit properly into the slots at the top of each side.
6. Tighten the nuts securing the 2 LCD clips. See Figure 2.
7. Replace the top cover.
8. Replace the 3 screws at the top of each side piece. The shorter screw will go in the screw hole closest to the rear of the game. See Figure 2.

Troubleshooting Information - Removal/Installation of Touchscreen - EZ MAXX/MAXX Elite

ATTENTION:

OBSERVE PRECAUTIONS FOR HANDLING ELECTROSTATIC DEVICES

**Removal/Installation of Touchscreen -
EZ MAXX/MAXX Elite**

9. Connect the new touchscreen controller cable in the back of the controller and secure the controller on the mounting screws in the game with the existing hardware. Also connect the Molex connector (orange and gray wires) to the main power harness.
10. Replace both side panels.

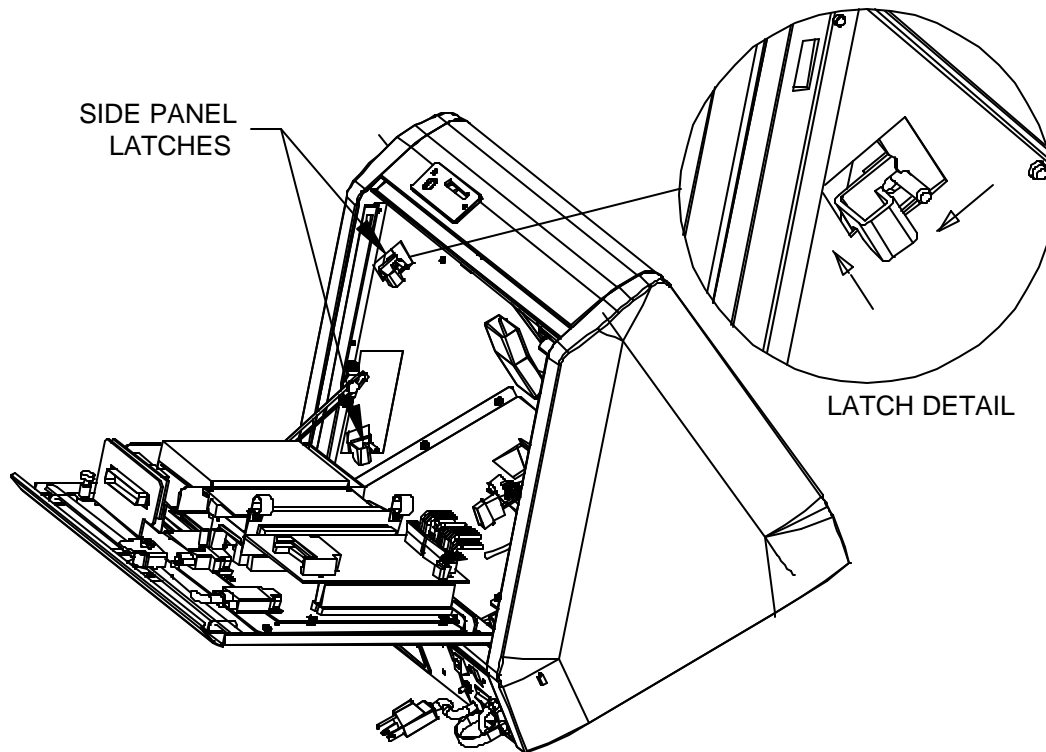


FIGURE 1 - EZ MAXX/MAXX ELITE - SIDE PANEL LATCH ACCESS

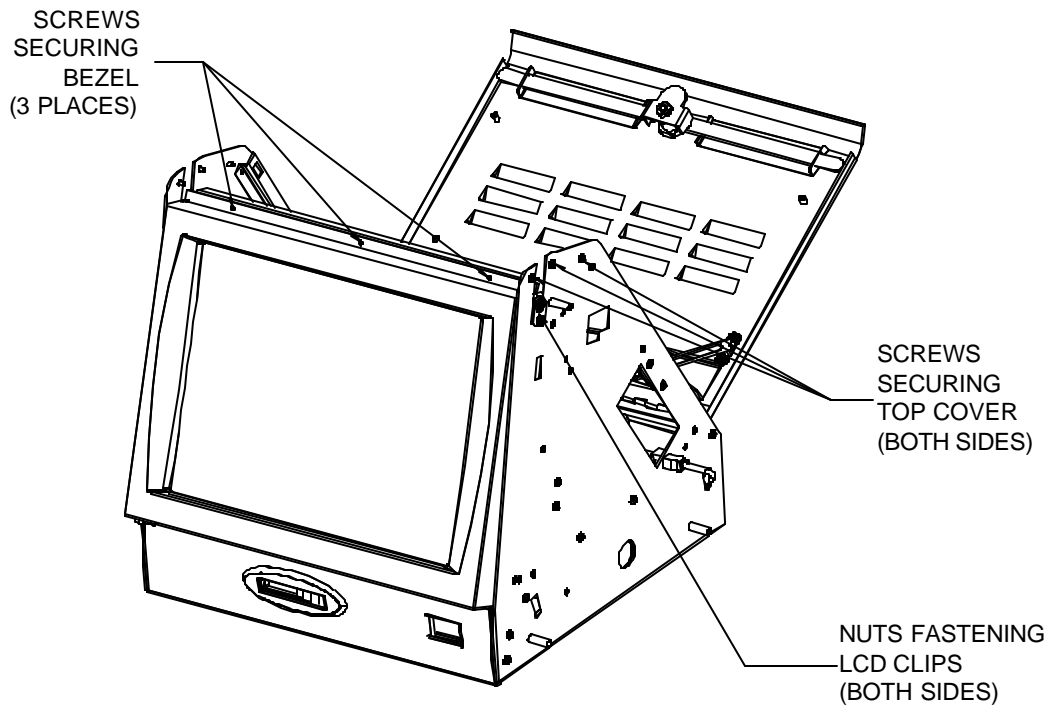


FIGURE 2 - EZ MAXX/MAXX ELITE - TOP COVER/LCD CLIP ACCESS