

## **ATTENTION:**

OBSERVE PRECAUTIONS FOR HANDLING ELECTROSTATIC DEVICES

### **Removal/Installation of Monitor - EZ MAXX/MAXX Elite**

#### **Monitor Removal**

1. Turn off and unplug the game.
2. Unlock and open the rear door.
3. Disconnect the monitor power connection (black and yellow wires) running to the power supply.
4. Disconnect the monitor signal connector from the motherboard, then remove the cable from the clamps.
5. Inside the game, access the latches for each side panel and remove both panels (see Figure 1).
6. Remove the two nuts and washers securing the touchscreen controller to the game and remove the controller from the mounting screws. Then disconnect the cable from the back of the controller and disconnect the Molex connector connecting the orange and gray wires (from the touchscreen controller cable) to the main power harness.
7. Remove the 3 screws at the top of each side piece fastening the top cover to the game (see Figure 2) and remove the top cover.
8. Loosen the 5/16" nuts securing the 2 LCD clips (one on each side piece). See Figure 2.
9. Lift the bezel and monitor assembly from the game.

#### **Monitor Installation**

1. Place the new monitor assembly in the game.
2. Secure the 2 LCD clips by tightening the 5/16" nuts (see Figure 2).
3. Fasten the top cover to the game with the 3 screws at the top of each side piece (see Figure 2).
4. Connect the touchscreen controller cable in the back of the controller, then fasten the controller to the game with the existing hardware. Also connect the Molex connector (orange and gray wires) to the main power harness.
5. Replace both side panels.
6. Replace the monitor signal cable in the clamps, then connect the cable to the motherboard.
7. Connect the monitor power connector to the power supply.
8. Close and lock the rear door.
9. Plug in and turn on the game.

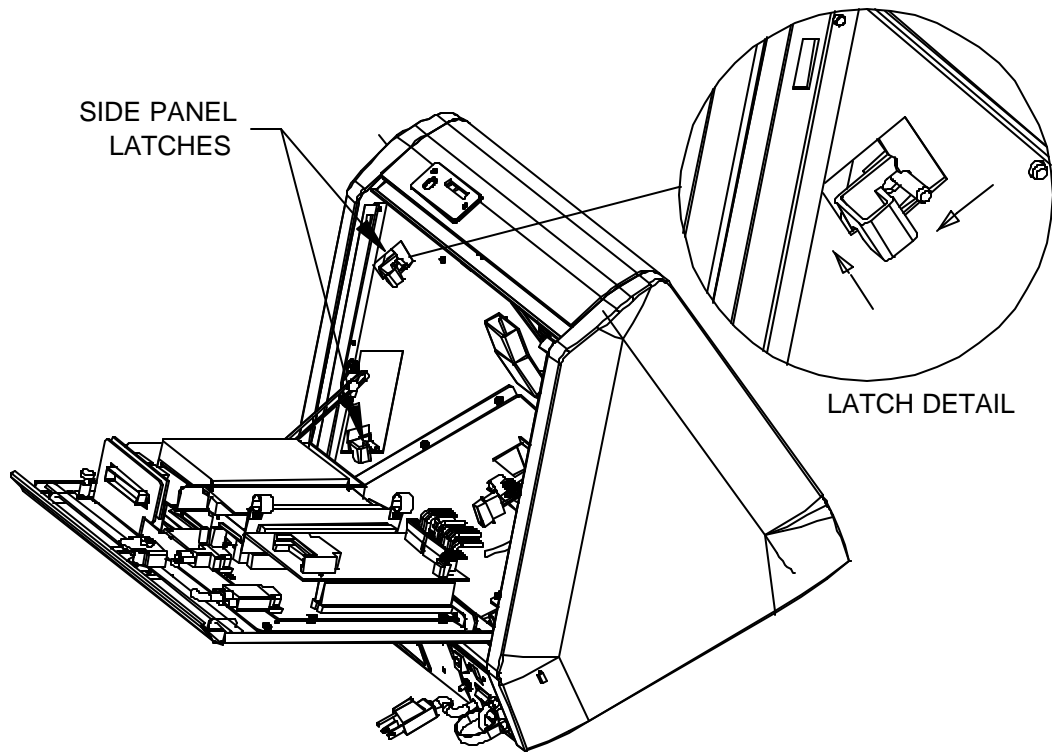


FIGURE 1 - EZ MAXX/MAXX ELITE - SIDE PANEL LATCH ACCESS

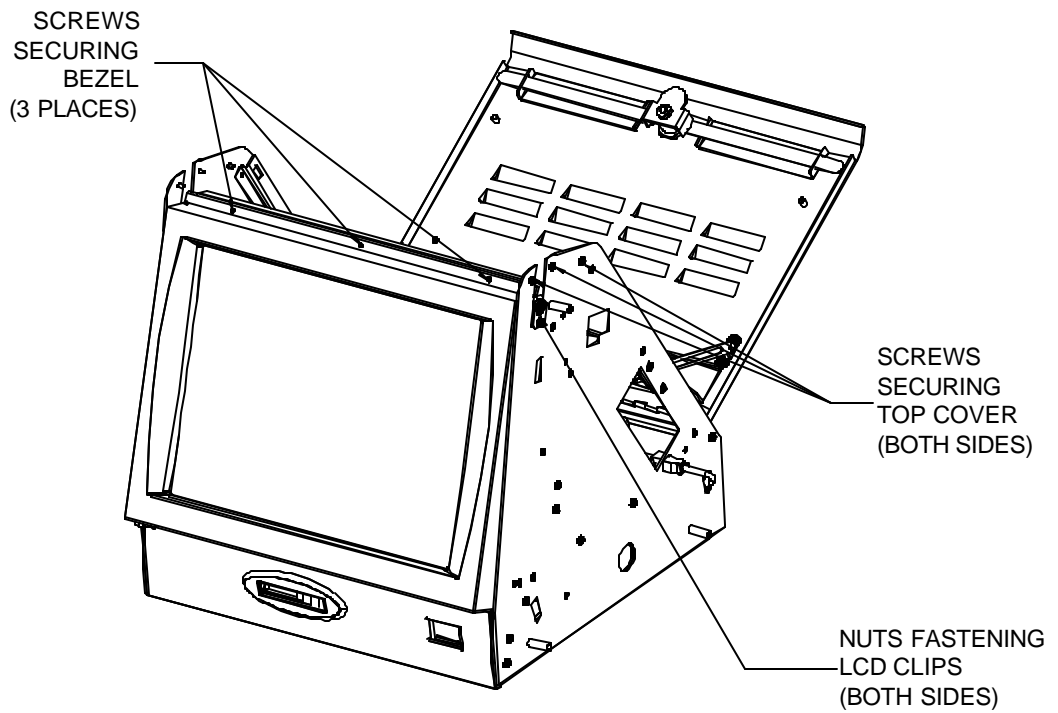


FIGURE 2 - EZ MAXX/MAXX ELITE - TOP COVER/LCD CLIP ACCESS