

EVO Wall Mounting with Swivel Bracket

CONTENTS:

QTY	PART #	DESCRIPTION
1	MW0803-01	WALL MOUNTING BRACKET, TOWER MODULE
1	MW0804-01	BOTTOM TOWER COVER
4	HW4559-03	1/4 - 20 x .50 L PAN HEAD PHILLIPS MACHINE SCREW
2	HW4486-02	10 - 32 x .75 L PAN HEAD SLOTTED MACHINE SCREW
2	HW4486-03	10 - 32 x .88 L PAN HEAD SLOTTED MACHINE SCREW

NOTE: THIS INSTALLATION SHOULD ONLY BE PERFORMED BY A QUALIFIED SERVICE TECHNICIAN.

To mount the EVO on a wall stud using the swivel bracket follow the instructions below.

EVO with Coin: Installing the game on the swivel bracket requires a quick adjustment to the coin mech for proper operation of the mech. Follow the instructions below to adjust the coin mech before continuing with the installation instructions. For EVOs with bill acceptors only, continue with the installation instructions on the reverse side of this sheet.

1. Unlock and open the cash tower.
2. Using Figure 1 as a guide, pull the bottom tabs on the coin mech out of the back notch on the coin mech bracket and place the bottom tabs on the coin mech in the front notch on the bracket. The top tabs should remain in the back notch.
3. Close and lock the cash tower and continue with Swivel Bracket Installation Instructions on the reverse side of this sheet.

NOTE: If you change the mounting of the EVO to table or bar top mounting, you must return the coin mech to its original position.

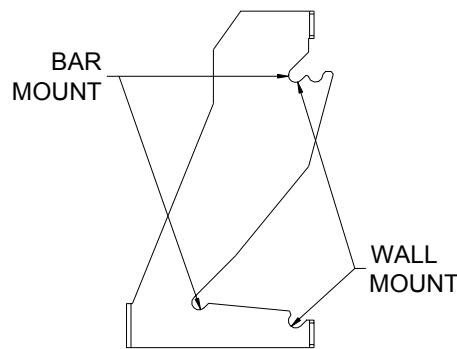
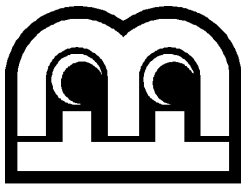


FIGURE 1 - PROFILE OF COIN MECH BRACKET



Swivel Wall Bracket Installation Instructions

1. Carefully lay the game on the monitor side. If the lazy Susan on the bottom of the game has a single screw in the middle, remove the screw and remove the lazy Susan. Then, remove the base from the EVO by removing the 4 screws securing the base to the game.
If your lazy Susan does not have the screw in the middle, pull off the adhesive pad. Rotate the lazy Susan and use the large access hole in the bottom of the lazy Susan to gain access to the four screws securing it to the game. Remove the screws and remove the lazy Susan. Then, remove the base from the EVO by removing the 4 screws securing the base to the game.
2. Attach the provided bottom tower cover to the cash tower using the four supplied screws (1/4 – 20 x .50 L) as shown in Figure 2.
3. Use the swivel bracket as a guide to locate and drill the three holes needed to secure the bracket on the wall stud. The bracket must be mounted on a stud using the three center mounting holes.
4. Attach the swivel bracket to a wall stud using sufficient hardware to support the weight of the game (75 pounds for EVOs with bill acceptors only and 85 pounds for EVOs with coin). The mounting holes on the bracket are designed for 1/4" bolts or screws. See Figure 2.
5. Unlock and open the cash tower. If you have a coin EVO, remove the coin box to gain access to the mounting holes in the back of the cash tower.
6. Remove the two nuts securing the U-bolt to the back of the cash tower and remove the U-bolt.
7. Attach the back of the cash tower to the swivel bracket using the four supplied pan head slotted machine screws as shown in Figure 2. Use the two shorter screws (10 - 32 x .75 L) to secure the top of the tower and two the longer screws (10 - 32 x .88 L) for the bottom of the tower.
8. If you have a coin EVO, replace the coin box.
9. Close and lock the cash tower.

NOTE: The tension of swivel bracket may loosen over time. If you want to increase the resistance of the bracket, remove the security set screw at the top of the bracket using a 5/23" Allen wrench. See Figure 2. With the same wrench, tighten the set screw found under the security set screw to the desired tension. Then, replace the security set screw.

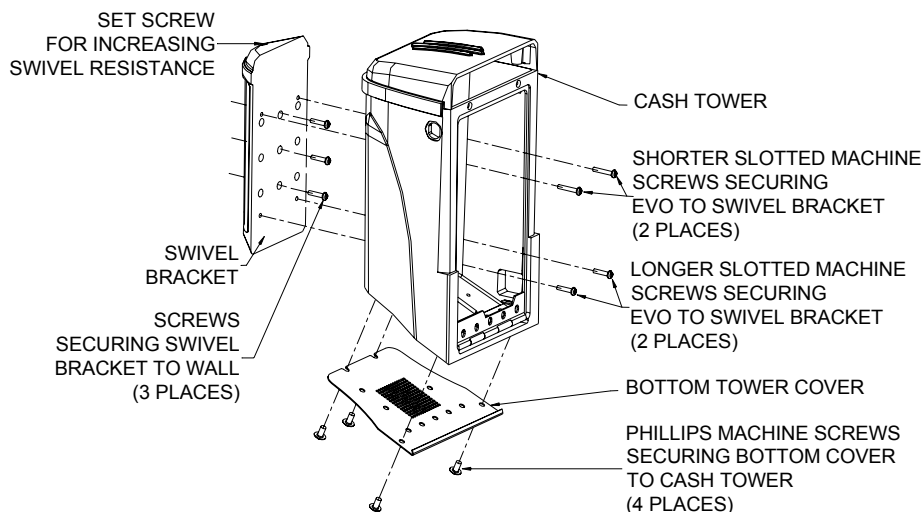


FIGURE 2 – EVO CASH TOWER - WALL MOUNTING WITH SWIVEL BRACKET