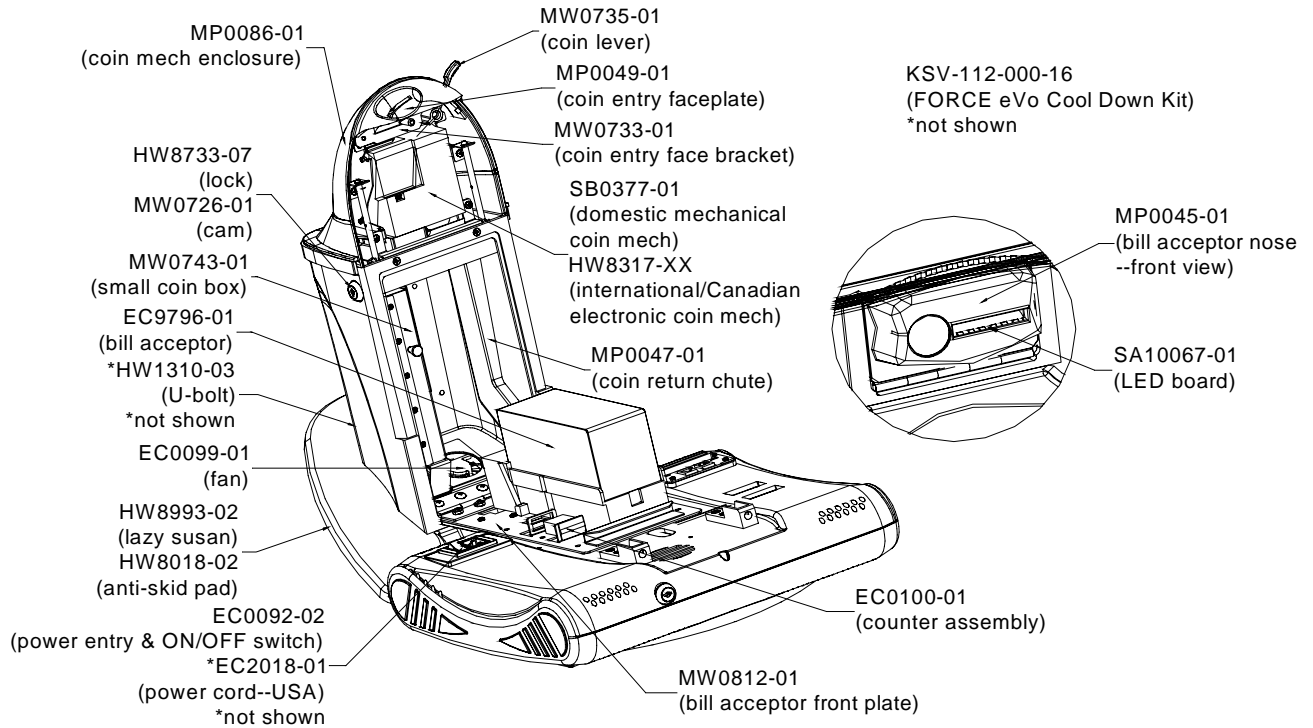
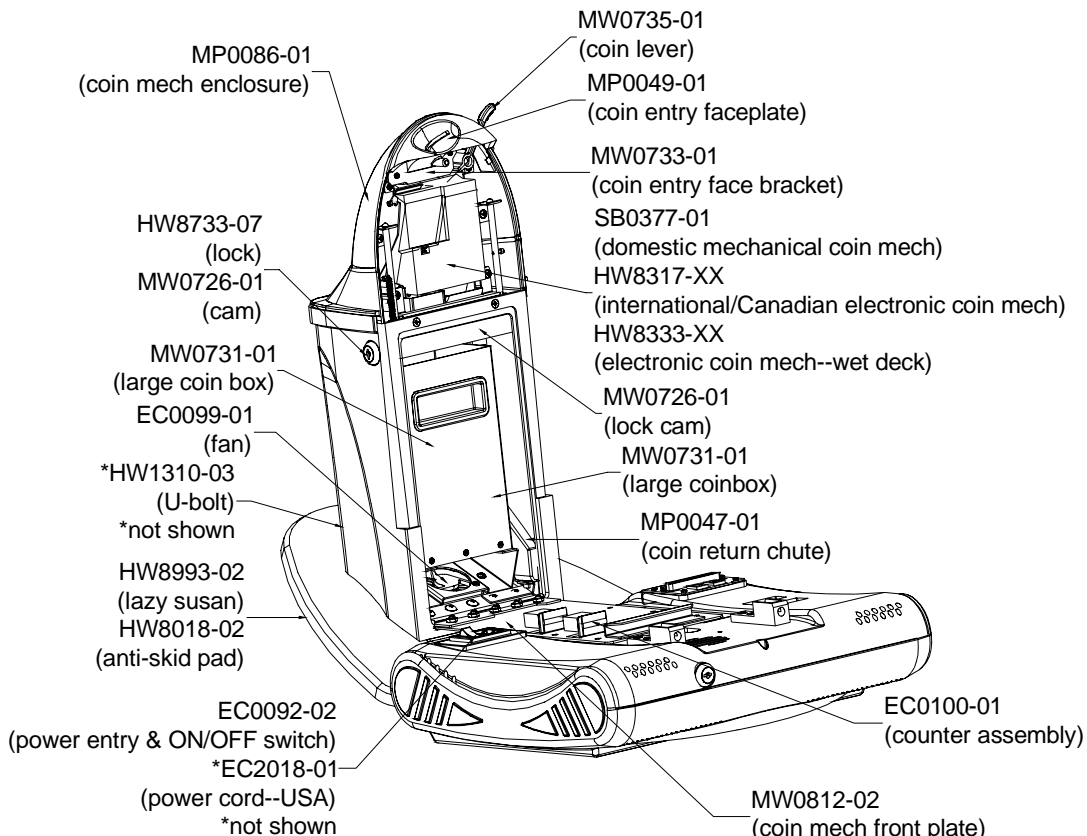


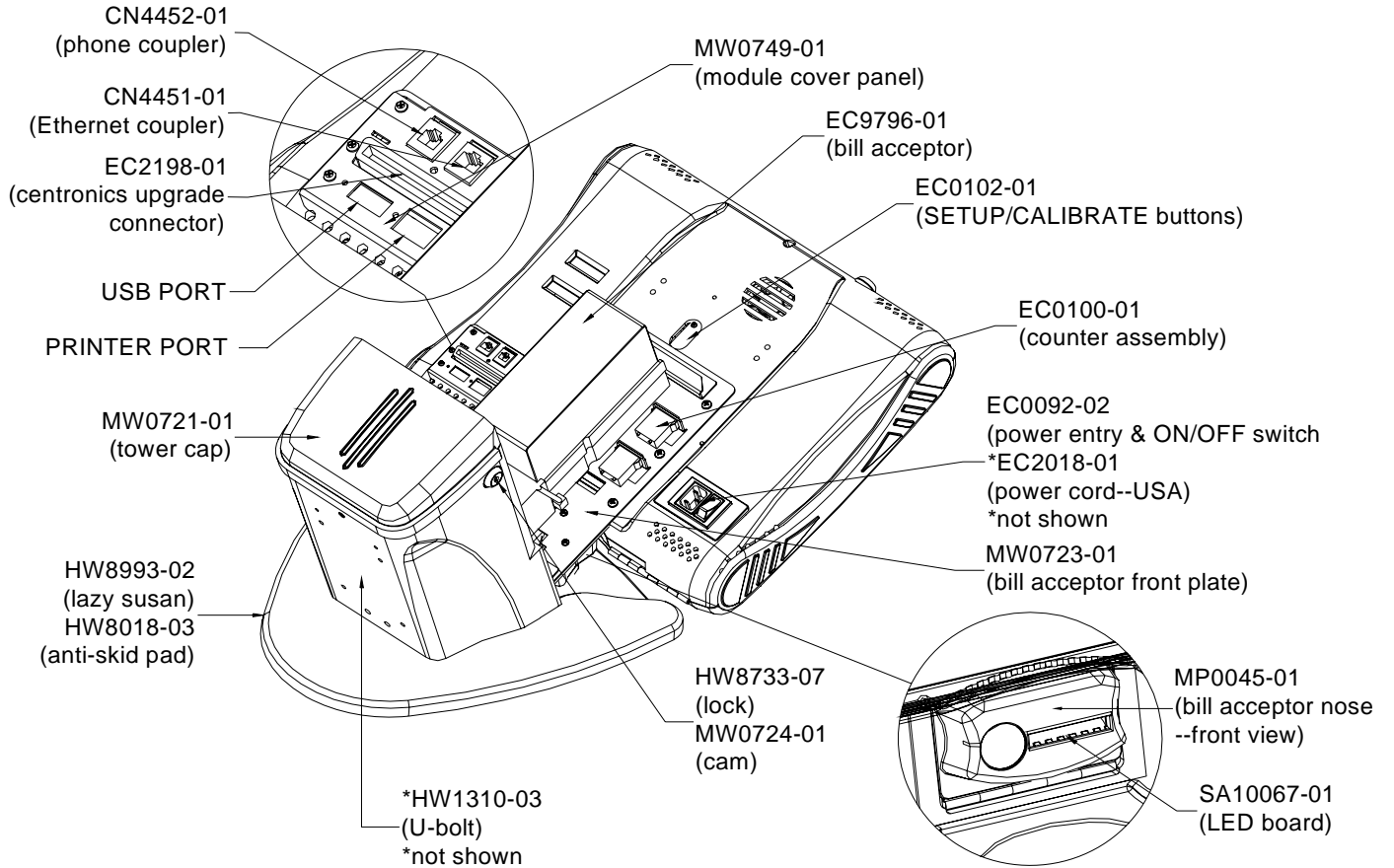
PARTS FOUND IN ALL EVO MODELS



EVO WITH BILL AND COIN



EVO WITH COIN ONLY



EVO WITH BILL ONLY

FORCE PARTS LIST

Item	Description
CN0029-01	RIGHT ANGLE MALE XLR CONNECTOR
CN0031-01	RCA PANEL MOUNTING JACK
CN0032-01	RCA PHONO PLUG
CN4451-01	ETHERNET COUPLER, RJ45, 8-POSITION, R/A
CN4452-01	PHONE COUPLER, RJ11, 6-POSITION, R/A
CN4452-02	RJ11, COUPLER, 4-CONDUCTOR
CN4452-03	RJ11 MALE/FEMALE SPLITTER, 4-CONDUCTOR
CN4453-01	RJ45 CROSS-OVER COUPLER
CN7507	METRIMATE RECEPTACLE, 12 PIN
CN7508	METRIMATE PLUG, 12 PIN
EC0050-01	566MHz, CPU
EC0051-01	14", I/O USB CABLE
EC0051-02	I/O USB CABLE, 3'
EC0053-02	18" RIBBON CABLE, ATA100, 40P/80 CONDUCTOR
EC0053-03	17 5/8" RIBBON CABLE, ATA100, 40P/80 CONDUCTOR
EC0056-01	UNICORN/ITOX 64 MEG DIMM SDRAM
EC0056-03	MEMORY 64MB
EC0057-01	STEREO CABLE, 3.5MM, R/A
EC0057-02	5.00L,3.5MM,R/A,STEREO CABLE
EC0059-01	17" SERIAL MODEM CABLE
EC0059-02	7" SERIAL MODEM CABLE
EC0063-01	5P,10&100MPBS ETHERNET HUB
EC0066-01	250W AMPLIFIER
EC0070-01	1.8 METER VIDEO EXTENSION CABLE
EC0072-02	CAT 5 LINE/PATCH CORD, 2', UTP
EC0072-04	LINE/PATCH CORD, 5', UTP, CAT 5
EC0072-05	84.00L,UTP,CAT 5 LINE/PATCH CORD
EC0072-06	50',UTP,CAT 5 LINE/PATCH CORD
EC0072-07	16.5",UTP,CAT 5 LINE/PATCH CORD
EC0072-09	6.00L,UTP,CAT5 LINE/PATCH CORD
EC0072-10	120.00L,UTP,CAT5 LINE/PATCH CORD
EC0074-03	50' RJ11 PHONE CABLE
EC0074-06	6' RJ11 PHONE CABLE
EC0080-01	ELECTRO-LUMINESCENT LAMP, VIBE
EC0081-01	2000MM STEREO PATCH CABLE
EC0082-01	10'L,VIDEO CABLE
EC0085-01	PRIMARY & SECONDARY TOUCHTUNES LIGHT SHOW
EC0086-01	TOUCHTUNES SINGLE BOARD COMPUTER (NO DISCOUNT)
EC0087-01	JUKEBOX REMOTE CONTROL TRANSMITTER, JUKEBOX
EC0088-02	JUKEBOX REMOTE CONTROL RECEIVER BOARD
EC0091-01	8.00L,MON CTLR EXT CAB
EC0092-01	POWER ENTRY W/ LINE FILTER, AC INPUT & ON/OFF SWITCH
EC0092-02	POWER ENTRY W/ LINE FILTER, AC INPUT & ON/OFF SWITCH
EC0093-01	3.00L, DC POWER HARNESS
EC0094-01	16.00L,USB I/O CABLE
EC0095-01	6.00L, MODEM AUDIO CABLE
EC0096-01	28.00L,VGA CABLE
EC0096-02	59.00L, VGA CABLE
EC0097-01	21.00L,OSD CABLE
EC0097-02	36.00L,OSD CABLE
EC0098-01	9.00L, MODEM CABLE
EC0098-02	62.00L, MODEM CABLE

FORCE PARTS LIST

Item	Description
EC0098-03	36.00L,MDM CAB
EC0099-01	7.00L,FAN ASSEMBLY
EC0100-01	SNAP-IN COUNTER ASSEMBLY
EC0101-01	SPEAKER ASSEMBLY,DUAL,EVO
EC0102-01	CABLE, SETUP/CALIBRATE/KEY,EVO
EC0102-02	66.00L,SETUP/CALIBRATE CABLE,FUSION
EC0103-01	6.00L,USER INTERFACE USB CABLE
EC0104-01	27.00L, ELECTRONIC COIN REJECTOR HARNESS, FUSION
EC0104-02	37.00L,ELECTRONIC COIN REJECTOR HARNESS
EC0105-01	WATCHDOG/POWER-ON HARNESS
EC0106-01	12VDC JUMPER HARNESS
EC0107-01	3.00L,+5VDC MATING HARNESS
EC0108-01	AC/STACKER HARNESS
EC0108-02	AC/STKR HARNESS
EC0109-01	4.00L, AC JUMPER WIRE
EC0110-01	59.00L, DUAL SPEAKER HARNESS, FUSION
EC0111-01	5.00L, COUNTER EXTENSION HARNESS, FUSION
EC0112-01	DC POWER CABLE, LCD, TOUCHSCREEN, FUSION
EC0113-01	3.00L,I/O POWER HARNESS
EC0114-01	SECONDARY AC CABLE, FUSION
EC0115-01	PRIMARY AC CABLE, FUSION
EC0117-01	7.00L,GROUND CABLE
EC0127-01	LED LIGHT BOARD (BLUE LED)
EC0128-01	ROPE LIGHT & CONTROLLER
EC0131-01	FLUORESCENT LAMP
EC2001	USA POWER CORD W/ DTCH IEC CONNECTOR
EC2004-02	2MTR, UK<IEC, POWER CORD, SJT, FUSION
EC2008-01	USA POWER CORD, W/ DTCH R/A IEC CONN
EC2011-02	42.00L,INTL,IEC,POWER CORD
EC2011-04	7.00L, INTERNATIONAL IEC POWER CORD, FUSION
EC2014-01	5-POS,OUT,IEC PANEL MOUNTING CONNECTOR
EC2015-02	INTERNATIONAL POWER CORD, 9" R/A
EC2015-03	INTERNATIONAL POWER CORD, 6", R/A
EC2015-05	INTERNATIONAL POWER CORD, 12", R/A
EC2018-01	SJT,USA,R/A IEC POWER CORD
EC2019-01	16AWG,US/IEC,SJT, POWER CORD
EC2020-01	90.00L,US<IEC,POWER CORD
EC2198-01	CENTRONIC RCPT-IDE-POWER CABLE, 12"
EC2198-05	CENTRONIC RCPT-IDE-POWER CABLE, 4.50"
EC2201-01	36.00L PWRCD,6 POSN,15A,POWER STRIP
EC2660	.25D HEAT SHRINK TUBING, BLACK
EC3040	2A CIRCUIT BREAKER
EC3040-02	6A,PANEL MOUNTING,CIRCUIT BREAKER
EC5145-01	40A,12V RELAY
EC6103	STARTER - 8W
EC6109	FLUORESCENT LAMP STARTER, 220-240V
EC6111	STARTER SOCKET W/ CLIPS
EC6112-01	LAMP SOCKET FOR F6T5
EC6914-03	SOLID FERRITE CORE FOR .735OD X .400ID BB CABLE
EC7016-01	BALLAST, 120V/60HZ, 6W
EC7016-02	BALLAST, 220V/50HZ, 6W
EC7076-02	STM, 500VAC, ISOLATION TRANSFORMER

FORCE PARTS LIST

Item	Description
EC7076-03	650VAC, ISOLATION TRANSFORMER
EC7077-01	130VAC, ISOLATION TRANSFORMER
EC7529-02	60W,+12VDC,OPEN FR,POWER SUPPLY
EC7531-03	POWER SUPPLY, 110W ±12, +5, +3.3, AC-ON
EC9100	AA ALKALINE BATTERY
EC9154	FROG EYE COUNTER, 12V
EC9154-03	FROG EYE COUNTER, 12V, HMI, STG@0
EC9236	RING LUG #6 STUD INSL. 10-12
EC9250	8 OHM SPEAKER, 4"
EC9257-01	50MMx90MM RECT,8-OHM SPEAKER
EC9258-01	12" SUBWOOFER
EC9259-01	200W SPEAKER, PR
EC9304-01	LINE FILTER, 6A, RFI, IEC & FASTON
EC9304-05	3A,RFI,IEC&FSTS,LINE FILTER
EC9377-08	13" VGA CRT MONITOR, R/A CONN MOUNTING
EC9381-02	LCD DISPLAY, 15", XGA, R/A CONN MOUNTING (NO DISCOUNT)
EC9381-04	15" LCD DISPLAY, XGA (NO DISCOUNT)
EC9382-01	19" VGA DIGITAL MONITOR
EC9382-01-01	19" VGA DIGITAL MONITOR CHASSIS
EC9383-01	FS,19"VGA MONITOR
EC9384-02	17" LCD DISPLAY, FUSION (NO DISCOUNT)
EC9387-01	15" VGA MONITOR
EC9387-01-01	15" VGA MONITOR CHASSIS
EC9402-03	3",42.5CFM,12V,FAN
EC9403-01	10 CFM FAN, 50MM, 12V
EC9404-01	60MM, 12V, 25 CU. FT./MINUTE FAN
EC9411-02	3",22<25CFM, 110V, FAN, TUBAXIAL
EC9790-01	\$1/2/5, 500 DOWN BILL STACKER, AE2000, MARS
EC9796-01	\$1/2/5, 500 BILL STACKER, AE2411, MARS BILL ACCEPTOR
EC9796-04	MARS BILL ACCEPTOR, \$1/2/5, 300 STACKER, AE2000
EC9796-06	U.S., MARS 700 STACKER,\$1/\$2/\$5B/A,AE2411
EC9840-09	MICROTOUCH SMT4 TOUCHSCREEN CONTROLLER, 96"
EC9840-10	MICROTOUCH SMT4 TOUCHSCREEN CONTROLLER, 144"
EC9840-13	R/A CONN,26.00L,TOUCHSCREN CONTROLLER
EC9844-01	19" TOUCHSCREEN OVERLAY
EC9850-05	FLAT SCREEN, 19" TOUCHSCREEN OVERLAY
GL0016-01	SPEAKER COVER
GL0018-01	DOMED NAMEPLATE
GL0023-01	FORCE STICKER, DOME
GL0035-01	SYSTEM MEGATOUGH FRONT DECAL
GL0036-01	LEFT SIDE PANEL DECAL
GL0036-02	RIGHT SIDE PANEL DECAL
GL0037-01	CLEAR MARQUEE, FUSION (FRONT)
GL0037-02	CLEAR MARQUEE, FUSION (BACK)
GL0038-01	CLEAR MARQUEE,VIDEO MODULE
GL0040-01	B/A COVER DECAL
GL0041-01	BASE DECAL, TOWER MODULE
GL0041-02	ELITE EDGE BASE DECAL
GL0044-01	LEFT SIDE PANEL DECAL
GL0044-02	RIGHT SIDE PANEL DECAL
GL2411-05	CLEAR PLEXI, 12.27x 8.28
GL2411-06	CLEAR PLEXI, 12.32 x 8.32 x .177

FORCE PARTS LIST

Item	Description
GL2414-01	CLEAR MARQUEE HOLDER
GL2431-28	FORCE MARQUEE
GL2435-01	RAINBOW S/PANEL, JUKEBOX
GL2436-01	OVL,CLR MARQUEE, JUKEBOX
GL2442-01	TOP CLR LT PANEL, JUKEBOX
HW0003-01	BILL ACCEPTOR & COINBOX BUTTON
HW0004-01-0A	BILL ACCEPTOR & COINBOX BEZEL
HW0022-03	MODIFIED BEZEL, MARS 2000 BILL ACCEPTOR
HW0031-01	BEZEL TRIM, REAR
HW0035-01	16L" DRAWER SLIDE
HW0037-01	MOUNTING BRACKET, 12GA STL, 3x3, .25D
HW0041-01	MAGNETIC TAPE, HD, W/PSA, 1"W x .06T
HW0056-01	HINGE, VIBE
HW0057-02	4-7/8x2-1/2,VHB PSA FAN GUARD, VIBE
HW0061-01	SPILL COVER, UPRIGHT W/ COIN DOOR
HW0081-05	18" COATED WIRE CABLE W/ RING LUGS
HW0081-06	14.5" COATED WRE CABLE W/ RING LUGS
HW0100-01	15P,D-SUB MALE CONNECTOR COVER
HW0100-02	PROTECTIVE COVER, MALE CONNECTOR, 9P, D-SUB
HW0103-01	FOAM PAD, SUBWOOFER BRACKET, SS, JUKEBOX
HW0104-01	FOAM PAD, SUBWOOFER, SS, JUKEBOX
HW0105-01	TRANSFORMER COVER, MEGATUNES
HW0106-01	FLUORESCENT LAMP COVER, JUKEBOX
HW0107-01	LCD ANALOG<DIGITAL PCB COVER
HW0108-01	10" X 15" FOAM PAD, JUKEBOX
HW0117-01	2.38x2.38, FAN GUARD FOR 60MM FAN, FUSION
HW0120-01	BUMPER
HW0900-01	FORCE MOTHERBOARD FISH PAPER
HW0901-01	7.00Lx1.25Wx.02T,PSA,FORMEX PL
HW1107	10-24 x1.00L CARRIAGE BOLT,BLK/OX
HW1107-03	10-24x1.63L BLACK OXIDE CARRIAGE BOLT
HW1107-04	10-24 x 75L BLACK OXIDE CARRIAGE BOLT
HW1110	10-24x1.25L BLACK OXIDE CARRIAGE BOLT
HW1114	10-24x2.00L BLACK OXIDE CARRIAGE BOLT
HW1310	U BOLT, 1/4-20x1-1/4
HW1310-03	1/4-20X1.75IBHx.75IS U BOLT
HW1330	HEX BOLT, 1/4-20 x 1-1/2
HW1501-01	COTTER PIN, M2 DIA x 14MM L
HW2045	.370<.430DIA, SJT, STRAIN RELIEF, FUSION
HW3070-03	4-40 HEXNUT
HW3151	NYLON THUMBNUIT, 6-32
HW3250	10-24 HEXNUT
HW3304-03	6-32x.75L CARRIAGE BOLT
HW4201	6-32x1/4L PAN/PHL SEMS SCREW
HW4201-07	6-32 x 5/16I PAN/PHL SEMS SCREW
HW4206	6-32x..25L PAN/PHL MACHINE SCREW
HW4207	PAN/PHL MACHINE SCREW, 6-32x1/4, BLACK
HW4343	6-32x..63L PAN/PHL SEMS SCREW
HW4429	8-32X.636 RND/PHL MACHINE SCREW
HW4497-02	10-24X 1.25L PAN/PHL MACHINE SCREW
HW5554-02	3/64Tx5/32IDx9/16OD FLAT FENDER WASHER
HW5658-01	.31SDx.06Lx.25IDx.44OD SHOULDER WASHER,FBR

FORCE PARTS LIST

Item	Description
HW6051-01	SPACER, .168ID x .25OD x .08L
HW8018-02	ANTI-SKID PAD, 11.5D, W/6.0 C/O
HW8018-03	2.00IDx10.00OD,ANTI-SKID PAD
HW8031-01	COIN ENTRY GASKET
HW8039-01	1.75Lx .80 Wx.50T,PORON FOAM TAPE
HW8052-01	REJ CHUTE BMPR
HW8059-01	FRONT & REAR BEZEL GASKET, FM, W/PSA, RADION
HW8062-01	REAR DOOR GASKET, FM, W/PSA
HW8066-01	.38Wx.06T, POLYETHYLENE FOAM TAPE,BLK,BS
HW8067	.50Wx.03T, POLYETHYLENE FOAM TAPE,BLK,BS
HW8067-02	FOAM TAPE, 1/2W x 1/8T, BLK, PSA BS
HW8120-02	BUTTON HEAD RIVET, .19-.25GR x.12DIA, ALU
HW8159-01	\$.25 MECHANICAL COIN REJECTOR, IMONEX 950
HW8159-02	BACK CHAN, MECHANICAL COIN REJECTOR, IMONEX C4
HW8171-01	PCB GUIDE, SNPN, DP CHAN, 8"L
HW8227-04	SMALL COINBOX W/ PLASTIC O/U COIN DOOR
HW8249	25¢ MECH COIN REJECTOR W/ MTG FRONT PLATE
HW8312-02	SPRING, COMPRESSION, SST, .48OD x 1.50L
HW8312-03	SPRING, .42OD x 1.25L, COMPRESSION
HW8313-01	1/4ODx1-3/4L STAINLESS STEEL EXTENSION SPRING
HW8314-01	EXTENSION SPRING, EXT, SST, .24OD X3.50L
HW8314-02	EXTENSION SPRING, .19OD x .63L
HW8317-00	UNPROGRAMMED & PROGRAMMABLE MARS COIN REJ.
HW8317-XX	ELECTRONIC COIN MECH TD330
HW8319-04	UK ELECTRONIC COIN REJECTOR, 10/20/50P & 1/2£, G13, 330
HW8327-01	EXT SPRING, 3/16OD X 1" L
HW8333-XX	ELECTRONIC COIN MECH, WET DECK
HW8334-01	.19ODx4.13L,OPEN-END EXTENSION SPRING
HW8340-01	COIN BAG
HW8341-01	COIN BAG, VIBE w/ COIN
HW8401-01	FLAT HANDLE POCKET PULL, 5.0, .06T MOUNTING
HW8401-02	POCKET PULL, 3-1/4", .06T MOUNTING, FLAT HANDLE
HW8402-01	HANDLE, 5.50L/10-32 MOUNTING x.31D x 1.50H
HW8403-01	2-3/4 CHEST HANDLE
HW8423-01	SAFETY CLIP FOR 10MM GAS SPRING BSKT END FTG
HW8425-05	75LB, GAS SPRING W/ BALL STD & SKT FTGS
HW8440-01	.63ODx2.66L, SS CLOSED-END CMPRSN SPR
HW8441-01	.48ODx.88L, SS PRCSN CLOSED-END CMPRSN SPR
HW8442-01	GAS SPR MTG BRKT FOR 10MM BALL SKT END FTG
HW8711	AHR PL,CAM LOCK
HW8712-01	KEYED-SAME SLIDING DOOR LOCK
HW8716	564 LOCK, 1 3/8L, STRAIGHT CAM
HW8721	564 LOCK, 7/8L, W/ JAM NUT
HW8722-01	VIPS LOCKS - REAR DOOR
HW8722-02	VIPS LOCKS - DISPLAY CASE
HW8727	KEYED LOCK, 1-1/8L, CAPTIVE KEY, STRAIGHT CAM
HW8727-02	KEYED LOCK, 1.38L, CAPTIVE KEY, W/O CAM
HW8727-03	CCW,KD LK,1.13L,CPTVKY
HW8731	KEYED LOCK, 7/8L, W/ JAM NUT, 90°
HW8733-03	KEYED LOCK, 5/8L, CAPTIVE KEY, HI SECURITY, W/O CAM
HW8733-04	KEYED LOCK, 1.38, CAPTIVE KEY, HI SECURITY, W/O CAM
HW8733-05	KEYED LOCK, 7/8L, CAPTIVE KEY, HI SECURITY, W/O CAM

FORCE PARTS LIST

Item	Description
HW8733-07	KEYED LOCK, .88L, CAPTIVE KEY, CCW,H/S,-CAM
HW8734-01	564 LOCK, 5/8L, W/O CAM
HW8741	CASH DOOR LOCK, 1/2L, CIRC, BENT CAM
HW8757	BNT,90°,LOCK CAM
HW8848-01	B/A FISH PAPER,TOWER MODULE, EVO
HW8854	5/8DIA,13/64 MTGHOLE HARN CLIP
HW8880-02	STANDOFF, TWIST LOCK, .75/.85BDL, .187DIA
HW8911-02	SPRING PIN, .188OD x .50L
HW8953-03	MODIFIED 13" MONITOR BEZEL
HW8960-02	3/8-16 X 3L LEG LEVELER W/ 3/8-16 NUT
HW8989	FAN GUARD, 2.8"
HW8993-02	LAZY SUSAN, 12" DIAMETER, 15° STOPS
HW9030-01	SHOCK MOUNT GROMMET, .245ID x .755OD
HW9101-01	.303GDx.039GW E RING
HW9252-02	2 x 2 VELCRO, HOOK & LOOP
HW9252-03	1 x 3 VELCRO, HOOK & LOOP
HW9420	9x11 VINYL SHEET HOLDER
HW9461-03	SIGN HOLDER, 4X12
HW9996-01	10-32M, 5/8" DIAMETER PHENOLIC KNURLED RIM KNOB
HW9998-01	10-32x.50L,KNOB,CLAMPING MACHINE SCREW
KOV-105-102-01	FORCE VIDEO MODULE OEM KIT (NO DISCOUNT)
KOV-105-104-01	VIBE PROCESSOR MODULE (NO DISCOUNT)
KOV-105-104-02	FORCE PROCESSOR MOD OEM KIT, VIBE w/ COIN (NO DISCOUNT)
KOV-105-105-01	COIN REJ.-READY VID MOD OEM KT, VIBE w/ COIN (NO DISCOUNT)
KSV-110-004-01	USB I/O BOARD, W/O PRINTER
KSV-110-005-01	3-IN-1 I/O BOARD
KSV-112-000-16	EVO FORCE COOL DOWN KIT
KUV-107-001	BILL ACCEPTOR COINBOX, .25/\$1/\$2/\$5 (NO DISCOUNT)
LB1030-01	9", 6 WATT FLUORESCENT CLOCKWISE BULB
MP0001-09	LEFT SIDE COVER
MP0001-10	RIGHT SIDE COVER
MP0002-07	TOP COVER, 15", COIN ENTRY
MP0005-08	FRONT COVER
MP0009-05	BEZEL, 15" LCD
MP0010-01	BEARING, DISPLAY PIVOT
MP0011-01	BEARING SEAT, DISPLAY PIVOT
MP0013-03	FRONT COVER
MP0014-01	FRONT BEZEL
MP0015-01	REAR BEZEL
MP0016-01	RADION BASE
MP0017-01	REAR DOOR
MP0018-01	LEFT SIDE COVER
MP0018-02	RIGHT SIDE COVER
MP0019-01	COIN ENTRY PLATE
MP0020-01	COIN RETURN LEVER
MP0021-02	MARS BILL ACCEPTOR COMBO PLATE
MP0024-01	MONITOR BEZEL
MP0025-01	MONITOR BEZEL
MP0026-01	CLEAR INSERT, VIBE
MP0027-01	MONITOR BEZEL, VIBE
MP0028-01	REAR ENCLOSURE, VIBE
MP0029-01	CENTRONICS COVER

FORCE PARTS LIST

Item	Description
MP0030-01	PLASTIC CREDIT CARD BLANKING PLATE, VIBE
MP0034-01	COIN GUARD, RADION
MP0035-01	MONITOR BEZEL, JUKEBOX
MP0036-01	LOWER BEZEL, JUKEBOX
MP0037-01	REAR ENCLOSURE, VIBE w/ COIN
MP0038-01	COIN CUP INSERT, VIBE w/ COIN
MP0039-01	COIN REJECTOR BRACKET, VIBE w/ COIN
MP0040-02	COIN BAG COLLAR, VIBE w/ COIN
MP0041-01	COIN RETURN BUTTON, VIBE w/ COIN
MP0044-01	MONITOR BEZEL,FUSION
MP0045-01	NOSE,B/A,TOWER MODULE,EVO
MP0047-01	COIN RETURN CHUTE,TOWER MODULE,EVO
MP0049-01	FACE,CN ENT,TWR MDL,EVO
MP0050-01	FR,ENCL,VID MDL,EVO
MP0051-01	REAR,ENCL,VID MDL,EVO
MP0053-01	COIN RETURN KNOB,FUSION
MP0054-02	MON BEZEL, FUSION
MP0075-01	LOWER COVER
MP0076-01	UPPER COVER
MP0077-01	SLIDE BLK
MP0079-01	WIRE GUIDE
MP0086-01	FORCE EVO COIN MECH ENCLOSURE
MP0108-01	GLIDERS (2 PER GAME) FORCE WALLETTTE
MW0009-02-0D	COUNTERTOP CHASSIS
MW0010-02-0J	DISPLAY FRAME
MW0013-01-0C	TOP, CLASSIC
MW0014-01-0B	LATCH PLATE, (RIGHT)
MW0014-02-0B	LATCH PLATE, (LEFT)
MW0015-01	LOCK BRACKET
MW0016-01-0C	DOOR, CLASSIC
MW0020-01-0B	COIN CHUTE, ENTRY, LEFT
MW0021-01	COIN CHUTE, ENTRY, RIGHT
MW0023-01	LOCK BOLT, 13.64"L
MW0023-04	BOLT, LOCK, 7.99" L
MW0024-01	CAM LOCK
MW0038-01	CORD CLAMP
MW0043-01	COINBOX STOP
MW0051-01	LINKAGE, COIN RETURN
MW0052-01-0A	BILL ACCEPTOR & COINBOX DOOR
MW0053-01	EXTENSION, BILL ACCEPTOR & COINBOX BUTTON
MW0055-01	COINBOX & BILL ACCEPTOR CHASSIS
MW0061-02	FAN PROTECTOR COVER,
MW0092-01-0A	MARQUEE FRAME
MW0093-01-0B	MARQUEE CLAMP
MW0095-01	STAY ARM
MW0095-03	.19T,STAY ARM,FUSION
MW0097-01-0A	TAMPER PROOF BEZEL BRACKET
MW0098-01	STAY ARM HAT BRACKET
MW0098-01-0A	STAY ARM HAT BRACKET
MW0118-01-0B	SMILEY BRACKET
MW0119-03	MECHANICAL COIN REJECTOR BRACKET, RD
MW0124-01-0B	HINGE, UPRIGHT

FORCE PARTS LIST

Item	Description
MW0126-01-0D	FRONT LOCK/SPEAKER PANEL GRILL
MW0129-01	COVER PLATE, B/A OPENING
MW0133-01-0A	FLUORESCENT LAMP BRACKET
MW0138-01-0B	2 POINT LOCK BRACE
MW0221-01	ANGLE,SCTY REINF,UR
MW0224-01	ELECTRONIC COIN REJECTOR BRACKET, L
MW0241-01	BRACKET, TOP, MAIN
MW0242-01	BRACKET, SIDE PANEL, L
MW0242-02	BRACKET, SIDE PANEL, R
MW0243-01	COINBOX DRAWER
MW0244-04	DRAWER FACE
MW0245-01	DRAWER COVER
MW0246-01	UPPER LATCH CLIP
MW0246-02	LOWER LATCH CLIP
MW0248-01	LOWER BEZEL BRACKET
MW0253-01	LOCK BAR, COINBOX DOOR
MW0254-01	CAM LOCK, COINBOX DOOR
MW0260-01	LATCH, UPPER-LEFT SIDE PANEL
MW0260-02	LATCH, LOWER-LEFT SIDE PANEL
MW0260-03	LATCH, UPPER-RIGHT SIDE PANEL
MW0260-04	LATCH, LOWER-RIGHT SIDE PANEL
MW0281-06	POWER ENTRY BRACKET
MW0298-01	BRACE/MARQUEE BRACKET
MW0299-01	CRT SHELF BRACKET
MW0305-01	COIN CHUTE, SIDE MOUNT
MW0321-01	PLATE, SIDE LATCH
MW0322-01	REAR DOOR CAM, 3 PT
MW0323-01	REAR DOOR LOCK BAR
MW0324-02	COIN ENTRY PLATE, TILT
MW0325-01	COIN MECH BRACKET
MW0326-01	COIN REJECTOR SHAFT
MW0327-01	COIN RETURN CHUTE
MW0333-01	COIN MECH CLIP, LEFT
MW0333-02	COIN MECH CLIP, RIGHT
MW0339-01	COIN RETURN CUP, TILT
MW0343-01	COIN RETURN CUP FLAP
MW0345-01	METER BRACKET
MW0346-01	CHASSIS, MAIN, ATX
MW0350-01	DISPLAY CLIP
MW0351-04	REAR DOOR
MW0358-01	ENET/MDM CLPR RTNG BRKT
MW0361-01	FAN BRACKET
MW0362-02	ELECTRONIC SHELF
MW0366-01	COINBOX/CRT BRACKET
MW0367-01	POWER ENTRY/COUPLER PLATE
MW0374-01	COINBOX, UPRIGHT
MW0378-01	MARS BILL ACCEPTOR BRACKET
MW0379-01	BILL ACCEPTOR CAM, 5/8OFS
MW0382-01	LEG LEVELER ADAPTER, UPRIGHT
MW0394-01	LEFT LCD BRACKET
MW0394-02	RIGHT LCD BRACKET
MW0407-01	LABEL BRACKET

FORCE PARTS LIST

Item	Description
MW0425-01	MAIN CHASSIS
MW0426-02	HINGE BRACKET
MW0427-01	COINBOX DRAWER
MW0428-01	DRAWER, COVER
MW0429-01	LOWER BEZEL BRACKET
MW0431-01	BILL ACCEPTOR BRACKET
MW0432-01	BEZEL CLAMP BRACKET
MW0435-01	BILL ACCEPTOR CLAMP, TOP
MW0436-01	BILL ACCEPTOR CLAMP, BOTTOM
MW0443-01	COIN CHUTE FUNNEL, UPRIGHT
MW0447-01	ATX POWER SUPPLY BRACKET
MW0467-01	MICROTOUCH CONTROLLER BRACKET
MW0469-01	POWER SUPPLY MOUNTING BRACKET
MW0470-01	COIN CHUTE
MW0471-01	COIN RETURN CHUTE
MW0472-01	CAM, L, DOOR
MW0475-01	DOMESTIC COINBOX
MW0476-01	I/O BRACKET
MW0479-01	COIN RETURN ARM
MW0482-01	LEFT LOCKING CAM
MW0483-01	REAR DOOR HINGE
MW0486-01	SHORT LOCKING BAR
MW0486-02	LONG LOCKING BAR
MW0487-01	MOTHERBOARD TRAY
MW0488-01	COIN OPTION BRACKET
MW0489-01	FAN BRACKET, 60MM
MW0491-01	COIN RETURN LEVER
MW0493-01	MOTHERBOARD TRAY, W/B/A
MW0494-01	HARD DRIVE BRACKET
MW0495-01	HARD DRIVE FAN BRACKET, W/B/A
MW0496-01	MOTHERBOARD TRAY
MW0497-01	I/O & HARD DRIVE BRACKET
MW0498-01	REAR DOOR CAM
MW0499-01	BRACKET, DUAL 50MM FANS
MW0500-01	SPILL PLATE, REAR DOOR
MW0502-01	CURVED STRAP HINGE
MW0503-01	STRAIGHT STRAP HINGE
MW0509-01	LONG LOCKING BAR RETAINING PLATE
MW0510-01	COINBOX LOCK CAM
MW0516-01	SLIDE PLATE
MW0520-01	I/O BRACKET
MW0521-01	BILL ACCEPTOR ALIGN BRACKET
MW0542-01	HARD DRIVE BRACKET, RADION
MW0543-01	FAN GUARD W/ SWITCH OPENING
MW0544-01	SPEAKER GRILL, UPRIGHT W/ COIN DOOR
MW0545-01	SIGN HOLDER, UPRIGHT W/ COIN DOOR
MW0546-01	MOTHERBOARD CHASSIS, UPRIGHT W/ COIN DOOR
MW0559-01	ESCUTCHEON, UPRIGHT
MW0560-01	B/A COVER, UPRIGHT W/ COIN DOOR
MW0561-01	B/A COVER BRACKET
MW0566-01	OVERSIZED COINBOX, RADION
MW0567-01	LEFT SPEAKER BRACKET, VIBE

FORCE PARTS LIST

Item	Description
MW0567-02	RIGHT SPEAKER BRACKET, VIBE
MW0568-01	SWITCH CONNECTOR BRACKET, VIBE
MW0572-01	CHASSIS, VIBE
MW0573-01	HARD DRIVE BRACKET
MW0575-02	PROCESSOR ENCLOSURE LID, VIBE
MW0575-03	PROCESSOR ENCLOSURE BASE, VIBE
MW0577-01	LCD BRACKET, VIBE
MW0578-01	METAL CREDIT CARD BACKING PLATE, VIBE
MW0584-01	.39 OFFSET LOCK CAM, VIBE
MW0597-01	CAM, BILL ACCEPTOR LOCK BRACKET, VIBE
MW0610-01	CAM, CATCH, LOCK BRACKET, VIBE
MW0611-01	LOCK PLUNGER, VIBE
MW0612-01	WIRE ENTRY PLATE, VIBE
MW0613-01	BILL ACCEPTOR LOCK BRACKET, VIBE
MW0615-01	SPEAKER BRACKET, JUKEBOX
MW0616-01	COMM INTFC PANEL, JUKEBOX
MW0617-01	SW BRACKET, JUKEBOX
MW0618-01	TOUCHTUNES MODULE MOUNTING PLATE, JUKEBOX
MW0619-01	RISER MOUNTING BRACKET, JUKEBOX
MW0621-01	IEC OUTLET MODULE MOUNTING BRACKET
MW0625-01	LEFT JUKEBOX MONITOR MOUNTING BRACKET
MW0625-02	RIGHT JUKEBOX MONITOR MOUNTING BRACKET
MW0626-01	JUKEBOX DOOR FRAME ASSEMBLY
MW0629-01	JUKEBOX CARD READER BLANKING PLATE
MW0631-01	JUKEBOX LIGHT SHOW MOUNTING BRACKET
MW0633-01	SUBWOOFER BRACKET, JUKEBOX
MW0634-01	FAN MOUNTING BRACKET, JUKEBOX
MW0635-01	DL FAN MOUNTING BRACKET, JUKEBOX
MW0637-01	REAR PANEL, SS, JUKEBOX
MW0638-01	LOCK CAM,SS, JUKEBOX
MW0639-01	INTERNAL AUDIO BRACKET,SS, JUKEBOX
MW0640-01	SUBWOOFER BRACKET
MW0641-01	TRANSFORMER BRACKET
MW0642-01	AMPLIFIER BRACKET,SS, JUKEBOX
MW0643-01	18Lx5.25Wx.05T PERF PANEL
MW0645-01	ENET BRACKET, MEGATUNES, JUKEBOX
MW0646-01	TRANSFORMER BRACKET, MEGATUNES, JUKEBOX
MW0647-01	TRANSFORMER BRACKET, MEGATUNES, JUKEBOX
MW0649-01	ACCESS PANEL, VIBE
MW0650-01	LOCK CATCH BRACKET, JUKEBOX
MW0651-01	RCPT, LOCK CATCH BRACKET, JUKEBOX
MW0652-01	LOCK BRACKET, VIBE
MW0653-01	COIN BAG BRACKET, JUKEBOX
MW0655-01	CATCH, LOCK BRACKET, VIBE
MW0657-01	CHASSIS, MEGATUNES
MW0663-01	COIN RETURN CHUTE, VIBE w/ COIN
MW0664-01	TILT BRACKET, VIBE w/ COIN
MW0665-01	RIGHT COIN REJECTOR HANDLE, VIBE w/ COIN
MW0665-02	LEFT COIN REJECTOR HANDLE, VIBE w/ COIN
MW0666-01	LOCK BRACKET CATCH, VIBE w/ COIN
MW0667-01	LOCK BRACKET BASE, VIBE w/ COIN
MW0668-01	ELECTRONIC COIN REJECTOR BRACKET, VIBE w/ COIN

FORCE PARTS LIST

Item	Description
MW0669-01	SWITCH/CONNECTOR BRACKET, VIBE w/ COIN
MW0670-01	FACEPLATE, VIBE w/ COIN
MW0671-01	LOCK PLUNGER, VIBE w/ COIN
MW0672-01	WIRE ENT PLATE, VIBE w/ COIN
MW0679-01	.98" OFFSET LOCK CAM, VIBE w/ COIN
MW0680-01	RIBBON CABLE ADAPTER PLATE, VIBE w/ COIN
MW0690-01	CREDIT CARD COVER,FUSION
MW0691-01	COIN ENTRY PLATE,FUSION
MW0695-01	MAIN<RETURN COIN CHUTE CUP
MW0696-01	MAIN ASSEMBLY,COIN CHUTE
MW0697-01	ENTRY<RTN,COIN CHUTE,FUSION
MW0699-01	COIN RETURN CUP ASSEMBLY
MW0700-01	COIN BOX,FUSION
MW0701-01	STAY ARM UPR BRACKET
MW0702-01	POWER SUPPLY HOLDER
MW0704-01	GAME COUNTER BRACKET
MW0708-01	INNER CURRENCY HATCH
MW0709-01	B/A MOUTING PLATE
MW0710-01	MARS B/A SHROUD
MW0712-01	FRONT ADAPTER PLATE
MW0714-01	UPPER,FOAM HOLDER
MW0715-01	LOWER,FOAM HOLDER
MW0718-01	POWER ENTRY MODULE PANEL
MW0718-02	MUSIC & POWER ENTRY MODULE PNL
MW0720-01	B/A-RDY,TWR MDL,EVO
MW0720-02	COIN REJECTOR-READY TOWER MODULE
MW0721-01	TOWER MODULE CAP
MW0722-01	TOWER MODULE BASE
MW0724-01	REAR MTG BRACKET, POD/CAP TOWER MODULE
MW0725-01	FRONT MTG BRACKET, CAP, TOWER MODULE
MW0726-01	LOCK CAM
MW0730-01	CNBX/FAN BRACKET,TOWER MODULE
MW0731-01	LARGE COINBOX,TOWER MODULE
MW0732-01	COIN EXIT BRKT,TOWER MODULE
MW0733-01	FACE BRKT,CN ENT,TOWER MODULE
MW0734-01	COIN REJECTOR BRKT,TOWER MODULE
MW0735-01	COIN REJECTOR LEVER,TOWER MODULE
MW0737-01	CAST IRON WEIGHT
MW0740-01	LCD MTG BRKT,VID MDL
MW0742-01	FRONT POD BRKT,TWR MDL
MW0743-01	SMALL CNBX,TWR MDL
MW0744-01	BRKT,SMALL CNBX,TWR MDL
MW0746-01	BRKT,COIN RETURN,TWR MDL
MW0747-01	BRKT,TOUCHSCREEN CONTROLLER,VID MDL
MW0749-01	COMMUNICATIONS MODULE COVER PANEL,VID MDL
MW0750-01	MOTHERBOARD CHASIS,FUSION
MW0751-01	COIN RETURN EXTENSION BRKT,CN RTN/FP,TWR MDL
MW0752-01	LWR BRKT,COIN RETURN,TWR MDL
MW0753-01	LOCK RESTRICTOR/SPACER,VID MDL
MW0753-02	LOCK SPACER
MW0754-01	ADJUSTABLE COIN LEVER EXT
MW0755-01	B/A COVER PLATE

FORCE PARTS LIST

Item	Description
MW0756-01	B/A COVER PLATE BACKING
MW0758-01	B/A COVER,INNER CURRENCY HATCH
MW0759-01	LCD HOLDER/SIDE EXPANDER,FUSION (LCD EXT)
MW0760-01	MECH. COIN REJECTOR HOLDER CLAMP
MW0760-02	ELEC. COIN REJECTOR HOLDER CLAMP
MW0761-01	COIN SWITCH REPLACEMENT CHUTE
MW0762-01	COIN REJECTOR CHUTE
MW0780-01	POWER SUPPLY BRACKET
MW0781-01	HINGE,VIDEO MODULE
MW0782-01	BRACKET,COMMUNICATIONS MODULE,VID MDL
MW0783-01	LOCK SLIDE,VID MDL
MW0789-01	OSD BOARD HINGE ARM
MW0791-01	CASH AREA BASE GUARD
MW0792-01	BEZEL LOCK MECH
MW0794-01	LOCK RECEPTACLE FRAME
MW0795-01	LOCK RECEPTACLE INSERT
MW0797-01	BEZEL CLOSURE BASE
MW0798-01	LCD MOUNTING BRACKET
MW0801-01	CURRENCY DOOR LOCK CAM
MW0802-02	MARS B/A SHROUD REAR BLANKING PLATE
MW0805-01	BEZEL<CABINET HINGE
MW0806-01	LOCK CATCH
MW0807-01	COIN ACCEPTANCE CHUTE COLLAR
MW0808-01	COIN ACCEPTANCE CHUTE MOUNTING BRACKET
MW0809-01	COIN ACCEPTANCE CHUTE, FUSION
MW0810-01	BEZEL CLOSURE BASE REINFORCEMENT,FUSION
MW0812-01	BILL ACCEPTOR FRONT PLATE, TOWER MODULE, EVO
MW0812-02	COIN MECH FRONT PLATE, TOWER MODULE, EVO
MW0856-01	FLUORESCENT LAMP BRACKET, FUSION
MW0886-01	MONITOR BEZEL LOCK MOUNTING PLATE, FUSION
MW0887-01	CASH PANEL LOCK CATCH BRACKET, FUSION
MW0888-01	B/A<BEZEL ADAPTER BRACKET, FUSION
MW0889-01	CASH PANEL, FUSION
MW0890-01	SPEAKER PANEL, FUSION
MW0890-02	SPEAKER PANEL TRIM, FUSION
MW0891-01	BEZEL HINGE, FUSION
MW0892-01	EMI/RFI ELECTRONICS ENCLOSURE, FUSION
MW0892-02	EMI/RFI ELECTRONICS BOX COVER
MW0893-01	BEZEL MOUNTING BRACKET, FUSION
MW0894-01	UPPER COIN ENTRY BRACKET, FUSION
MW0894-02	LOWER COIN ENTRY BRACKET, FUSION
MW0895-01	BEZEL LOCK CAM, FUSION
MW0896-01	CASH PANEL & REAR DOOR, LOCK CAM, FUSION
MW0897-01	3-POINT LOCK BRACKET, FUSION
MW0898-01	CREDIT CARD BLANKING PLATE MOUNTING BRACKET
MW0898-02	CREDIT CARD READER MOUNTING BRACKET
MW0899-01	3-POINT LOCK ARM, MONITOR BEZEL
MW0902-01	FOOT COVER
MW0904-01	DOOR NUT
MW0905-01	BACK PLATE
MW0906-01	UPPER SUPPORT PLATE
MW0908-01	RISER, HINGE SUPPORT

FORCE PARTS LIST

Item	Description
MW0909-01	RISER,SUPPORT
MW0910-01	COIN ENTRY BRACKET
MW0911-01	B/A RTNG PLATE
MW0912-02	B/A FACE PLATE
MW0913-01	CREJ CHUTE
MW0914-01	COINBOX
MW0915-01	HINGE
MW0916-01	HOUSING
MW0917-01	VIDEO MODULE MOUNTING BRACKET
MW0918-01	LINEFILTER RETAINER
MW0919-01	COUNTER BRACKET
MW0929-01	LK CATCH
MW0935-01	CREJ BUTTON
MW0936-01	LOWER SUPPORT PLATE
MW0937-01	RISER, SUPPORT
MW0956-01	COIN STOP
MW1720-01-0B	SPEAKER SCREEN
MW2012-01	SECURITY LOOP, R
MW2012-02	SECURITY LOOP, L
MW2013-01	DUCK BILL CAM
MW4147-01	SMALL FLUORESCENT LAMP FIXTURE ENCLOSURE
MW5000-03	DUAL METER & SWITCH BRACKET
MW5003-01	LEFT CRT ADJ BRACKET W/ CUTOUT
MW5003-03	LEFT CRT ADJ BRACKET W/O CUTOUT
MW5004-01-0A	POWER ENTRY BRACKET,U/R 19",T/S
MW5164-01	REAR DOOR HINGE, COUNTERTOP
MW5171-01	COINBOX CONN BRACKET, W/B
MW5171-02	COINBOX CONN BRACKET
PA0060-01	FORCE,U.S. MODEM
PM0212-02	COIN/COUNTRY JUMPER CHART
PM0347-01	RADION SIGN INSTALLATION INSTRUCTIONS
PM0353-03	RECESSED WALL MOUNTING TEMPLATE, VIBE w/ COIN
PM0354-01	PROCESSOR MOUNTING TEMPLATE, VIBE
PM0398-01	MOUNTING TEMPLATE, MEGATUNES
PM0409-01	VIDEO MODULE WALL MOUNTING TEMPLATE, VIBE w/ COIN
PM2417-01	BASE/WALL MTG COIN REJ. ADJUSTING LABEL, VIBE w/ COIN
PM5131-01	WARNING LABEL
PM5937-02	PATENT LABEL VIDEO GAMES
PM6063-01	\$1/\$2/\$5 STICKER
PM6064-01	\$1/\$2 & \$5 STICKER
PM8928-39	FORCE SIGN
PM8949-01	TOURNAMAXX READY PROMO SIGN
SA0014-03	ELECTRONIC/MANUAL COIN REJECTOR HARNESS
SA0040-08	CASH BOX ASSY, COIN & B/A READY, XL/CLASSIC
SA0047-02-0A	COIN-BILL ACCEPTOR HARNESS
SA0064-04	120V POWER ENTRY MODULE
SA0078-07	GROUND, #10 RING LUG, 17"
SA0078-10	GROUND, #6 RING LUG & #10 RING LUG, 20"
SA0078-15	GROUND, #6 RING LUG & #10 RING LUG, 7"
SA0078-23	GROUND, #10 RING LUG, 44"
SA0078-26	GROUND, #10 RING LUG, 14"
SA0078-27	GROUND, #10 RING LUG, 4"

FORCE PARTS LIST

Item	Description
SA0082-01	AC JUMPER HARNESS
SA0082-02	AC JUMPER HARNESS, 32"L
SA0096-04	POWER ENTRY W/ COUPLERS
SA0097-01	MODIFIED MARS 2000 BILL ACCEPTOR (500 STACKER)
SA0097-04	MOD MARS 2000 B/A (500 STACKER)
SA0102-03	INTERFACE, CASH SYSTEM
SA0103-07	13" VGA TOUCHSCREEN ASSEMBLY
SA0105-06	SILVER & BLACK COVER
SA0106-12	DOMESTIC POWER ENTRY ASSEMBLY
SA0108-04	MAIN HARNESS
SA0118-03	HARD DRIVE/CD-ROM POWER EXTENSION CABLE
SA0118-03	POWER EXTENSION CABLE, PCA/HARD DRIVE
SA0118-04	HARD DRIVE/CD-ROM POWER EXTENSION CABLE
SA0152-01	SMILEY HARNESS, JUMPER1
SA0152-02	SMILEY HARNESS, JUMPER2
SA0152-03	SMILEY HARNESS, JUMPER3
SA0152-04	SMILEY HARNESS, JUMPER4
SA0165-01	SWITCH COUNTER ASSEMBLY
SA0177-03-0A	FLUORESCENT LAMP FIXTURE, 6W, 220V/50HZ
SA0177-04-0A	FLUORESCENT LAMP FIXTURE, 117V/60HZ, 6W
SA0177-05	6W,117V/60HZ, FLUORESCENT LAMP ASSEMBLY
SA0177-06	6W,117V/60HZ, FLUORESCENT LAMP ASSEMBLY W/O BRKT
SA0178-02	MAIN HARNESS
SA0181-02	POWER SWITCH HARNESS
SA0183-03	COIN MECH HARNESS
SA0183-04	INTERNATIONAL COIN MECH HARNESS
SA0184-01	MARS BILL ACCEPTOR HARNESS
SA0185-03	SMILEY BILL ACCEPTOR HARNESS
SA0197-01	12V FAN ASSEMBLY, CVR/3"
SA0225-06	AC HARNESS, ATX
SA0226-04	DC POWER HARNESS, ATX
SA0226-05	DC POWER HARNESS, ATX
SA0237-04	TOP COVER, GND
SA0238-05	BOTTOM FRONT COVER
SA0238-06	BOTTOM FRONT COVER
SA0240-05	COIN DRAWER
SA0240-06	COIN DRAWER
SA0241-05	LEFT SIDE COVER
SA0241-06	RIGHT SIDE COVER
SA0242-06	DOMESTIC POWER ENTRY
SA0242-07	INTERNATIONAL POWER ENTRY ASSEMBLY
SA0250-06	POWER SHELF
SA0250-07	POWER SHELF ASSEMBLY
SA0252-04	HARNESS, AC, CIRCUIT BREAKER, ATX
SA0255-03	MECHANICAL COIN REJECTOR BRACKET ASSEMBLY
SA0260-04	ATX POWER/PCB HARNESS
SA0266-01	POWERCORD, 6" R/A, F, IEC W/F CONNECTOR, R
SA0266-02	9" R/A,F,IEC W/ F CONNECTOR, POWER CORD, R
SA0267-03	POWER SUPPLY
SA0268-01	METER/BRACKET
SA0279-01	COUNTERTOP FAN
SA0298-02	BILL ACCEPTOR ASSEMBLY

FORCE PARTS LIST

Item	Description
SA0304-01	POWER ENTRY
SA0306-01	DC DIST HARN,XL7
SA0307-01	60MM SINGLE FAN ASSEMBLY, RADION
SA0307-02	60MM SINGLE FAN ASSEMBLY, FUSION
SA0308-01	POWER SUPPLY ASSEMBLY, RADION
SA0309-01	DUAL CENTER ASSEMBLY
SA0309-02	COUNTER ASSEMBLY, RADION
SA0309-03	COUNTER ASSEMBLY, VIBE
SA0309-04	COUNTER ASSEMBLY, FUSION
SA0310-01	COUNTER HARNESS
SA0312-01	I/O, AUDIO, COUNTER ASSEMBLY
SA0313-01	SPEAKER, ASSEMBLY
SA0313-02	SPEAKER, W/22 AWG, ASSEMBLY
SA0314-01	STACKER HARNESS W/ LOCKOUT
SA0316-01	ELECTRONIC COIN REJECTOR HARNESS
SA0318-01	DC POWER HARNESS, MAIN, RADION
SA0319-01	AC CR STACKER HARNESS
SA0320-01	DUAL FAN ASSEMBLY, 50MM
SA0324-01	RIGHT SIDE PANEL, RADION
SA0325-01	LEFT SIDE PANEL, RADION
SA0326-01	REAR DOOR & BEZEL, RADION
SA0327-01	FRONT BEZEL, RADION
SA0328-01	UPPER COIN CHUTE, RADION
SA0329-02	MONITOR & TOUCHSCREEN, RADION
SA0329-03	MONITOR & TOUCHSCREEN,U3a
SA0336-01	DC Y CONN HARN
SA0338-01	DOMESTIC COINBOX & BILL ACCEPTOR
SA0338-07	OVERSIZED DOMESTIC COINBOX & BILL ACCEPTOR, RADION
SA0338-09	OVERSIZED NJ COINBOX & BILL ACCEPTOR, RADION
SA0338-10	OVERSIZED SMILEY-READY COINBOX, RADION
SA0338-11	OVERSIZED COINBOX, RADION
SA0339-01	COIN OPTION BRACKET
SA0341-01	COIN ENTRY
SA0345-01	I/O & AUDIO HARNESS, DC
SA0346-01	INTERNATIONAL AC HARNESS
SA0347-01	DOMESTIC AC HARNESS, FORCE
SA0348-01	DC/AUDIO HARNESS, FORCE
SA0349-02	MAIN AC HARNESS, FORCE
SA0350-01	DC HARNESS, I/O & VIDEO, FORCE
SA0351-01	MAIN SIGNAL HARNESS, FORCE
SA0352-01	MAIN DC HARNESS, FORCE
SA0354-01	I/O HARNESS
SA0355-01	COUNTER HARNESS
SA0356-01	POWER ON HARNESS
SA0361-01	ELECTRONIC COIN REJECTOR
SA0372-01	POWER ON/OFF MODULE
SA0373-01	DC MOTHERBOARD HARNESS, UPRIGHT W/ COIN DOOR
SA0375-01	AC BILL ACCEPTOR EXTENSION HARNESS
SA0376-01	I/O HARNESS, UPRIGHT W/ COIN DOOR
SA0377-01	MANUAL COIN REJECTOR HARNESS
SA0377-02	JUKEBOX, MECHANICAL COIN REJECTOR CABLE
SA0378-01	MAIN HARNESS

FORCE PARTS LIST

Item	Description
SA0379-01	ELECTRONIC COIN REJECTOR HARNESS
SA0386-02	9' LINKING HARNESS, VIBE
SA0387-01	AC PROCESSOR HARNESS, VIBE
SA0387-02	AC HARNESS, PROCESSOR, VIBE w/ COIN
SA0388-01	PROCESSOR HARNESS, VIBE
SA0389-01	LEFT SPEAKER, VIBE
SA0389-02	RIGHT SPEAKER, VIBE
SA0390-01	SWITCH CONNECTOR MODULE, VIBE
SA0390-02	SWITCH/CONNECTOR MODULE, VIBE w/ COIN
SA0391-01	LINKING MECHANISM, VIBE
SA0392-01	15" TOUCHSCREEN AND DISPLAY, VIBE
SA0393-01	ELECTRO-LUMINESCENT DISPLAY, VIBE
SA0393-02	ELECTRO-LUMINESCENT DISPLAY, VIBE w/ COIN
SA0396-05	2K5 HD MDL
SA0399-01	VIDEO CHASSIS MODULE, VIBE
SA0400-01	DUAL 50MM FAN ASSEMBLY, VIBE
SA0402-01	PROCESSOR COVER ASSEMBLY, VIBE
SA0403-01	3-POSITION CONNECTOR & DUAL PUSH BUTTON SWITCH
SA0404-01	3" SPEAKER BRACKET, RADION
SA0405-01	DISPLAY HARNESS, VIBE
SA0406-02	9' AC HARNESS STACKER, VIBE
SA0407-02	JUKEBOX CONTROL CABLE
SA0408-02	JUKEBOX HUB POWER HARNESS
SA0410-01	LOW LEVEL AUDIO CABLE, JUKEBOX
SA0418-01	HARNESS, DC TAP, VIBE
SA0422-01	MONITOR/LIGHT AC CABLE, JUKEBOX
SA0423-02	SECONDARY AC HARNESS, FCC, JUKEBOX
SA0425-01	AC PRIMARY INLET HARNESS, JUKEBOX
SA0426-01	LIGHT SHOW EXTENSION HARNESS, JUKEBOX
SA0427-02	DC DISTRIBUTION CABLE, MEGATUNES
SA0427-03	LIGHT SHOW DC DISTRIBUTION CABLE, FCC, JUKEBOX
SA0428-02	TOUCHTUNES CONTROL BOARD HARNESS, MEGATUNES
SA0428-03	TOUCHTUNES CONTROL BOARD HARNESS, FCC, JUKEBOX
SA0429-01	ELECTRO-LUMINESCENT ASSEMBLY, VIBE
SA0429-02	ELECTRO-LUMINESCENT ASSEMBLY, VIBE w/ COIN
SA0431-01	COMMUNICATIONS INTERFACE MODULE, JUKEBOX
SA0438-01	AUDIO GAME HARNESS, JUKEBOX
SA0439-02	DC DISTRIBUTION HARNESS, FCC, JUKEBOX
SA0440-04	VER3,SIG&RLY HARN,SP2
SA0442-01	PRIMARY AC HARNESS, MEGATUNES
SA0442-02	SECONDARY AC HARNESS, MEGATUNES
SA0443-01	AC FAN ASSEMBLY, JUKEBOX
SA0444-01	COUNTER HARNESS, JUKEBOX
SA0445-01	HUB PWR CABLE, MEGATUNES
SA0446-01	ANTENNA CABLE
SA0447-01	30" RED & BLACK PAIRED CABLE
SA0449-01	LOCK MECHANISM, VIBE w/ COIN
SA0451-01	COIN REJECTOR, VIBE w/ COIN
SA0452-01	COIN REJECTOR-READY ASSEMBLY, VIBE w/ COIN
SA0455-02	6 CH. ELEC. COIN REJ. CAB., VIDEO MDL, VIBE w/ COIN
SA0456-01	ELECTRONIC COIN REJ. HARNESS, PROC. MDL, VIBE w/ COIN
SA0458-01	AC CAB,SP2

FORCE PARTS LIST

Item	Description
SA0459-02	CAB,60"L,AUD EXT,SP2
SA0467-02	B/A-RDY,TWR MDL,EVO
SA0469-03	V2,17" TOUCHSCREEN & MONITOR,FUSION (NO DISCOUNT)
SA0469-04	V2,17 MONITOR,FUSION (NO DISCOUNT)
SA0469-05	15" DISPLAY, KORTEK VIDEO MODULE,EVO (NO DISCOUNT)
SA0469-09	17" DISPLAY & TOUCHSCREEN, FUSION (NO DISCOUNT)
SA0470-01	4.00L,52MM FAN ASSY,EVO
SA0470-02	50MM FAN ASSY, EVO (WITH FOAM & ADHESIVE TAPE)
SA0473-01	MECH. COIN REJECTOR HARNESS,FUSION
SA0474-01	HARN,JMPR,M-CREJ,EVO
SA0477-01	15.00TS&DSPL,VID MDL,EVO (NO DISCOUNT)
SA0480-01	SMALL PRIZE ASSEMBLY
SA0481-01	MEDIUM PRIZE ASSEMBLY
SA0482-01	LARGE PRIZE ASSEMBLY
SA0483-01	PRIZE DISPLAY ASSEMBLY
SA0484-01	PRIZE SHIELD (TOWER) ASSEMBLY
SA0485-01	MEDIUM PRIZE HOPPER
SA0486-01	BENT PLASTIC PARTS
SA0487-01	VACUMED FORMED PARTS
SA0492-01	15.00 DSPL, SAM VID MDL,EVO (NO DISCOUNT)
SA0503-02	FLATSCREEN PRIMARY AC CABLE ASSEMBLY
SA0505-01	TOUCHSCREEN POWER CABLE
SA0506-01	LCD POWER CABLE
SA0507-01	MECHANICAL COIN REJECTOR CABLE
SA0511-01	AC JUMPER CABLE
SA0512-01	COUNTER EXTENSION CABLE
SA0513-01	M/CREJ HARNESS
SA0514-01	STKR PIGTAIL HARNESS
SA0515-01	AC/STKR HARNESS
SA0519-01	65"L LED HARNESS, VIPS
SA10058-01	AUDIO AMP BOARD
SA10062-01	ELECTRO-LUMINESCENT DRIVER BOARD, VIBE
SA10064-02	CTRL BOARD, JUKEBOX
SA10066-01	OSD SMART PANEL
SA10067-02	CC, LED BD,EVO
SA3220-12-0A	.25 / .25 COIN DOOR ASSEMBLY
SA3235-12	.25/\$1&\$5B/A, 500 STACKER
SA3243-03	BEZEL, UPRIGHT (W/O COIN DOOR)
SA3244-03	19" CRT MONITOR ASSEMBLY
SA3248-01	COINBOX ASSEMBLY
SA3273-01	BEZEL ASSEMBLY
SA3276-01	FRONT BEZEL, JUKEBOX
SA3277-01	MONITOR MODULE, JUKEBOX
SA3278-01	LOWER FRONT PANEL ASSEMBLY, JUKEBOX
SA4084	4" SPEAKER ASSEMBLY W/ 2-PIN CONNECTOR
SA5117-04-0A	FAN ASSEMBLY, 3", 12V, 2 PIN CONNECTOR, W/O GUARD
SA5117-05-0A	FAN ASSEMBLY, 3", 12VDC, 3 PIN, W/ GUARD
SA5117-08	FAN ASSEMBLY, 3", 12V, M&F CONNECTOR, W/ GUARD
SA5117-09	3" 12V FAN ASSEMBLY W/ 2-PIN CONNECTOR & GUARD
SA5129-01	GASKET/BEZEL ASSEMBLY, 13"
SA7297-13	MAG SIGN HOLDER
SA9824-01	13" TOUCHSCREEN OVERLAY

FORCE PARTS LIST

Item	Description
SB0016-01	13"/19" TOUCHSCREEN TAPE KIT
SB0350-01	ELECTRONIC COIN REJECTOR-READY
SB0353-01	RADION SIGN MOUNTING KIT
SB0368-01	COIN BAG ASSEMBLY, VIBE W/ COIN
SB0377-01	US,25¢/\$1,V92 COIN REJECTOR (HW8337-01)
SB0492-01	LCD BRACKETS & CABLING FORCE EVO, WALLETTE,
SB0530-01	CPU FAN
SB0532-01	KIT - 17" TOUCHSCREEN & TAPE
SB0534-01	15" RADION TOUCHSCREEN
SB0535-01	KIT - 15" TOUCHSCREEN & TAPE
SB0540-01	300W POWER SUPPLY
SB0543-01	FAN ASSEMBLY WITH FERRITE & ADHESIVE
SB1771-05	GROUND, W/#4 & #6 RING LUGS 5"
SC7000	VARISTOR V130LA2OB
SC7005	VARISTOR 230VAC
SW3005	PANEL MOUNTING SWITCH, PB MOMENTARY
SW4024	ROCKER SWITCH, DPST, 250V, PANEL MOUNTING
SW4025-01	IEC, 250V, DPST, PANEL MOUNTING ROCKER SWITCH
SW5021-01	COIN SWITCH ASSEMBLY
WD0001-05	RIGHT SIDE PANEL
WD0001-06	LEFT SIDE PANEL
WD0013-01	CRT SHELF
WD0022-01	WOOD SHIM
WD0024-02	BLACK CABINET (discontinued under run out)
WD0024-03	DARK GRAY CABINET
WD0025-01	DARK GRAY CABINET
WD0030-01	SIDE PANEL
WD0030-02	SIDE PANEL
WD0038-01	MON SLF, JUKEBOX
WD0040-01	ENCLOSURE, JUKEBOX
WD0041-01	SOUND SYSTEM ENCLOSURE, SS
WD0047-01	FUSION CABINET
WD0054-01	FUSION CABINET
ZSA10057-14	FORCE MOTHERBOARD ASSEMBLY