

ATTENTION:

OBSERVE PRECAUTIONS FOR HANDLING ELECTROSTATIC DEVICES

Removal/Installation of Motherboard - Megatouch Combo Jukebox

Motherboard Removal

1. Turn off the main power switch on the outside of the game.
2. Unlock and remove the rear door, then turn off the internal power switch (located above the cooling fan on the left side). Then unplug the game.
3. Disconnect all connections to the I/O board. This will allow for I/O board and hard drive removal.
4. Disconnect the power connector from the hard drive and the hard drive ribbon cable from the motherboard.
5. Remove the screw securing the hard drive and I/O board assemblies to the electronics tray and remove them from the unit (see Figure 1).
6. Disconnect all connections to the motherboard.
7. Remove the 2 screws securing the centronics ribbon cable and move it aside (see Figure 1).
8. Remove the 4 screws mounting the motherboard to the CPU shelf (see Figure 1) and carefully remove the board. Insert the board into an anti-static bag for storage. NOTE: Be sure to read the Motherboard Handling Precautions before handling the board.

Motherboard Installation

1. Fasten the new motherboard to the CPU shelf (see Figure 1) with the 4 screws.
2. Resecure the centronics cable with the 2 screws.
3. Reconnect all connections to the motherboard.
4. Fasten the hard drive and I/O board assemblies to the electronics tray with the mounting screw (see Figure 1).
5. Reconnect the power connector to the hard drive and the hard drive ribbon cable to the motherboard.
6. Reconnect all connections to the I/O board.
7. Plug in the game, then turn on the internal power switch and replace and lock the rear door.
8. Turn on the main power switch on the outside of the game.

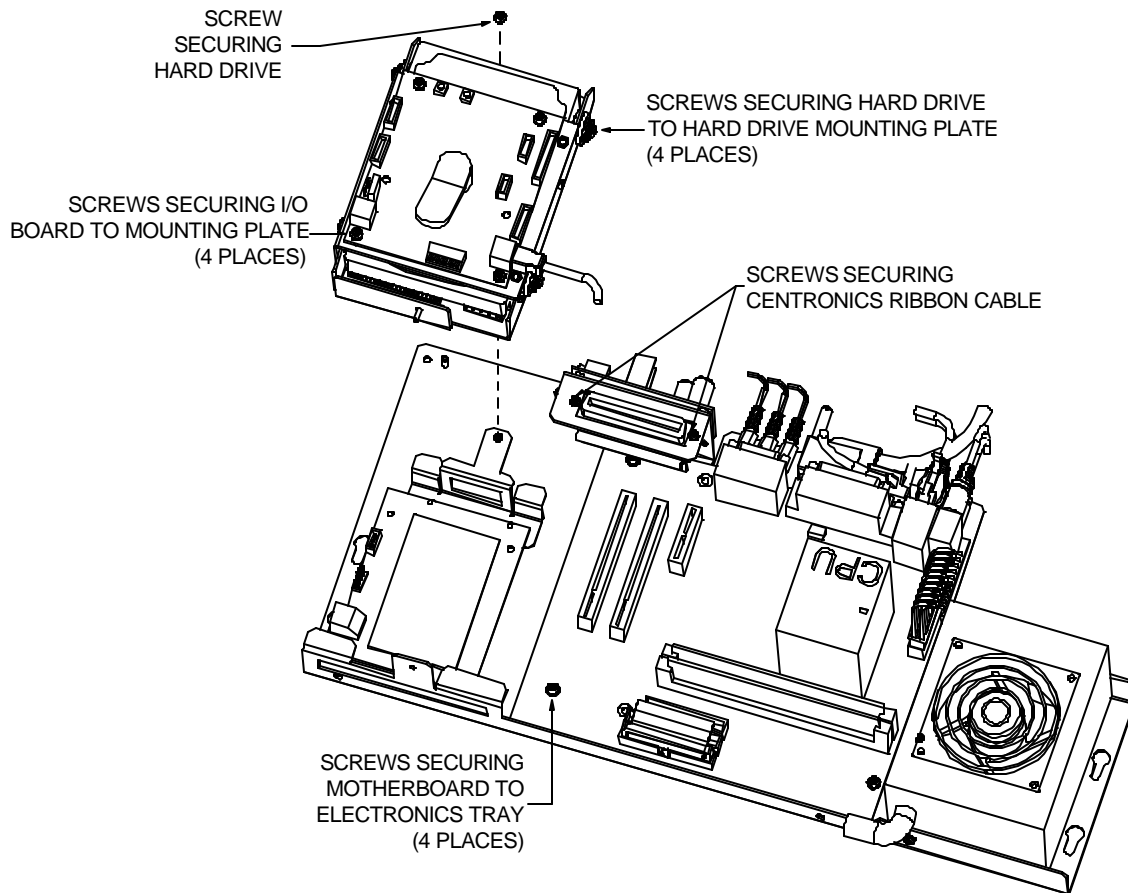


FIGURE 1 - REMOVING MOTHERBOARD