

## **ATTENTION:**

OBSERVE PRECAUTIONS FOR HANDLING ELECTROSTATIC DEVICES

### **Removal/Installation of Monitor - Megatouch Combo Jukebox**

#### **Monitor Removal**

1. Turn off the main power switch on the outside of the game.
2. Unlock and remove the rear door, then turn off the internal power switch (located above the cooling fan on the left side). Then unplug the game.
3. Disconnect all harnesses from the monitor.
4. Using Figure 1, locate the touchscreen controller mounted inside the cabinet on the right side (if you are facing the rear of the game) and remove the two screws fastening the controller to the cabinet. Then disconnect the Molex connector (orange and gray wires) running from the touchscreen controller cable to the main power harness.
5. Remove the screws securing the 2 clamps fastening the power cable to the fluorescent light assembly (after removing the upper screw, immediately replace it in order to keep the fan assembly fastened). Then move the cable aside in order to make room for monitor removal. You may need to disconnect one of the fan power harnesses as well.
6. Remove the 3 hex bolts on either side of the mounting plate (see Figure 2) fastening the plate to the 2 monitor mounting brackets inside the unit.
7. Remove the 2 lower nuts and bolts (one on each side) fastening the monitor mounting brackets to the unit (see Figure 2). This will allow room to slide out the monitor assembly.
8. Carefully remove the monitor assembly from the game. Disconnect other wires and harnesses if necessary.

#### **Monitor Installation**

1. Place the new monitor assembly in the game.
2. Replace the 2 lower nuts and bolts through the monitor mounting brackets to fasten the monitor to the game.
3. Fasten the mounting plate to the monitor mounting brackets with the 3 hex bolts (see Figure 2).
4. Connect the new touchscreen controller cable in the back of the controller and secure the controller with the existing hardware. Also connect the Molex connector (orange and gray wires) to the main power harness.
5. Reconnect the all harnesses to the monitor, as well as any other harnesses that were disconnected when removing the monitor. Also replace the power cable to the fluorescent light assembly in the clamps.
6. Plug in the game, then turn on the internal power switch and replace and lock the rear door.
7. Turn on the main power switch on the outside of the game.
8. Calibrate the touchscreen.



FIGURE 1 - MEGATOUCH COMBO JUKEBOX - INSIDE REAR OF CABINET

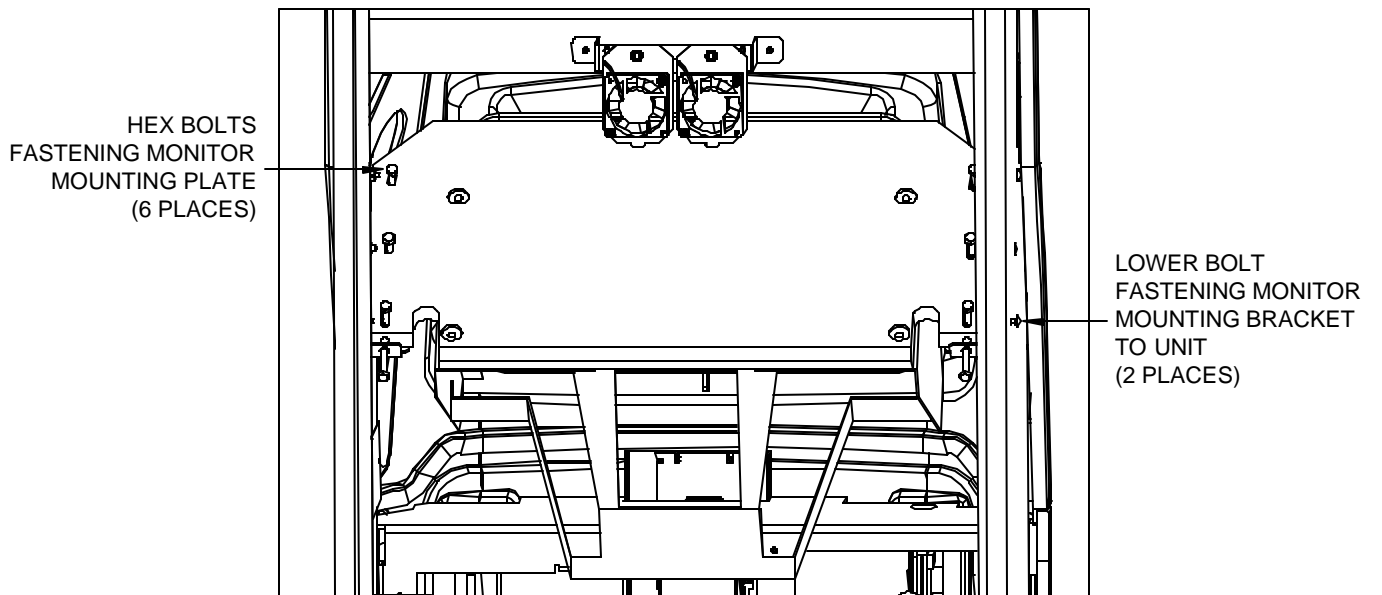


FIGURE 2 - REMOVING MONITOR ASSEMBLY