

ATTENTION:

OBSERVE PRECAUTIONS FOR HANDLING ELECTROSTATIC DEVICES

Removal/Installation of Hard Drive - Megatouch Combo Jukebox

Hard Drive Removal

1. Turn off the main power switch on the outside of the game.
2. Unlock and remove the rear door, then turn off the internal power switch (located above the cooling fan on the left side). Then unplug the game.
3. Disconnect all connections to the I/O board on the electronics shelf. This will allow for I/O board and hard drive removal.
4. Disconnect the power connector and the ribbon cable from the hard drive.
5. Remove the screw securing the hard drive and I/O board assemblies to the electronics tray and remove them from the unit (see Figure 1).
6. Remove the 4 screws securing the I/O board to the mounting plate above the hard drive and remove the I/O board (see Figure 1). Then remove the 2 screws fastening the I/O board mounting plate to the hard drive and remove the hard drive assembly.
7. Remove the 4 screws and shoulder washers fastening the hard drive to the hard drive mounting plate.

Hard Drive Installation

1. Fasten the new hard drive to the mounting plate with the 4 screws and shoulder washers.
2. Fasten the I/O board mounting plate to the hard drive assembly with the 2 screws, then fasten the I/O board to the mounting plate with the 4 screws (see Figure 1).
3. Fasten the hard drive and I/O board assemblies to the electronics tray with the mounting screw (see Figure 1).
4. Connect the power connector and ribbon cable to the hard drive.
5. Reconnect all connections to the I/O board.
6. Plug in the game, then turn on the internal power switch and replace and lock the rear door.
7. Turn on the main power switch on the outside of the game.

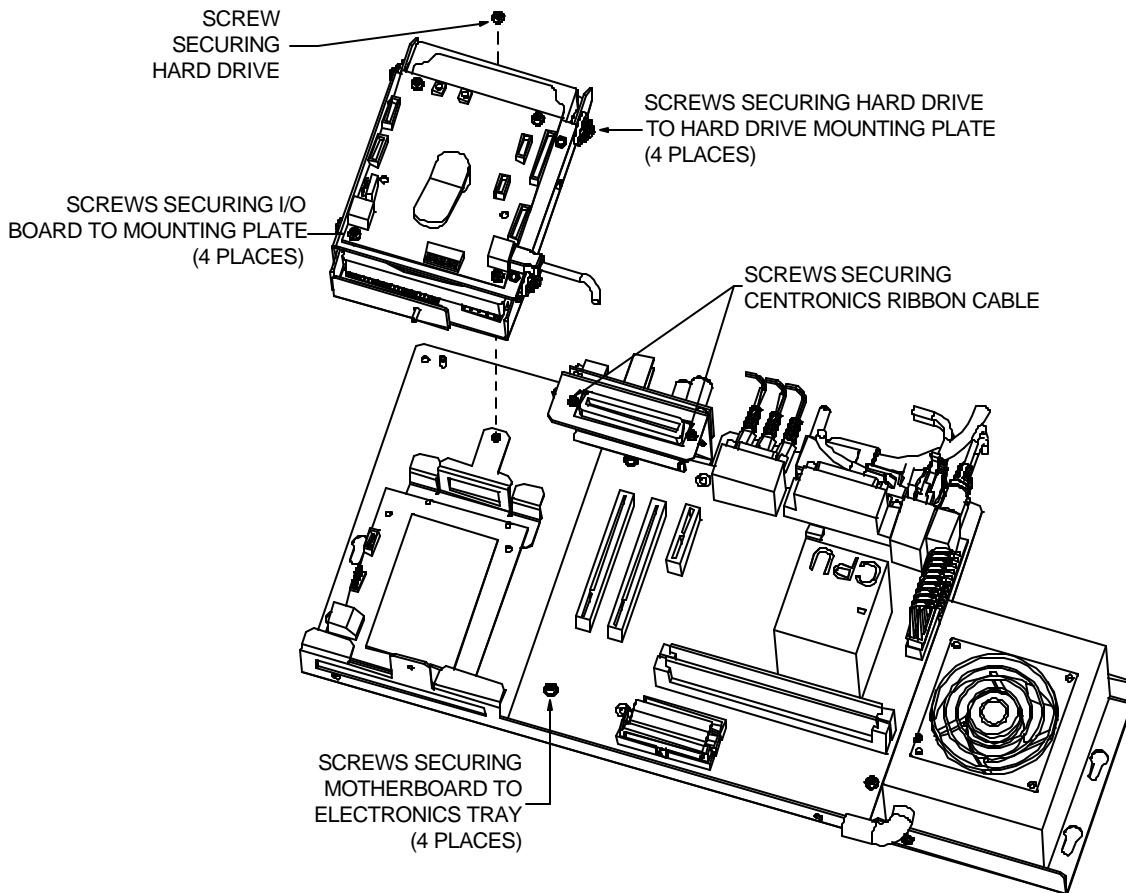


FIGURE 1 - REMOVING HARD DRIVE