



Merit Industries, Inc.

TECH NOTES

Date: 3-15-99

Re: Megatouch™ Maxx upright games missing spacer for hard drive shock mount.

Follow instructions below for spacer installation.

1. Turn off the game and unplug it from its power source.
2. Open the monitor door to gain access to the CPU shelf.
3. Pull the CPU shelf up and into its service position.
4. Locate the A/C power cord, plugged into the power supply, and disconnect it from the power supply. See Figure 1.
5. Remove the hardware securing the power supply and position the power supply on its side, so you can easily access all of the screws securing the hard drive in place.
6. Remove the four (4) screws securing the shock mount brackets to the PC shelf.
7. Remove the screws securing the hard drive to the shock mount brackets. NOTE: BE CAREFUL NOT TO DROP, BANG OR OTHERWISE MISHANDLE THE HARD DRIVE. DO NOT DAMAGE THE PC BOARD ON THE BOTTOM SIDE OF THE UNIT.
8. Using Figure 2 below, insert the (HW6000-02) aluminum spacers into the shock mount grommet (on the hard drive side of each bracket) and re-secure the hard drive to the shock mount brackets. Tighten the screws until they are snug (do not finger-tighten the screws).
9. Place the hard drive assembly back into position on the PC shelf and re-secure the assembly to the shelf. If you disconnected the hard drive ribbon cable, make sure to re-connect it (make sure the red stripe on the ribbon cable corresponds to Pin 1 on the hard drive).
10. Replace the power supply and secure it to the shelf.
11. Plug the A/C power cord back into the power supply.
12. Take the PC shelf out of its service position and slide it back into the game.
13. Close the monitor door and lock it.
14. Plug in the game and turn it on.

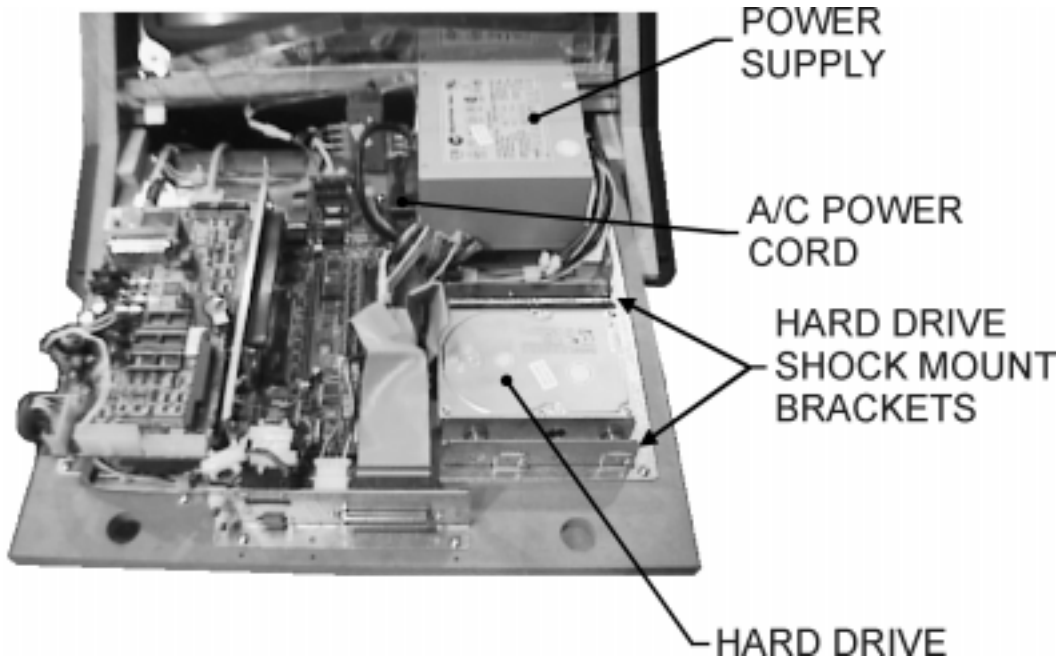


FIGURE 1 – PC SHELF PART LOCATIONS

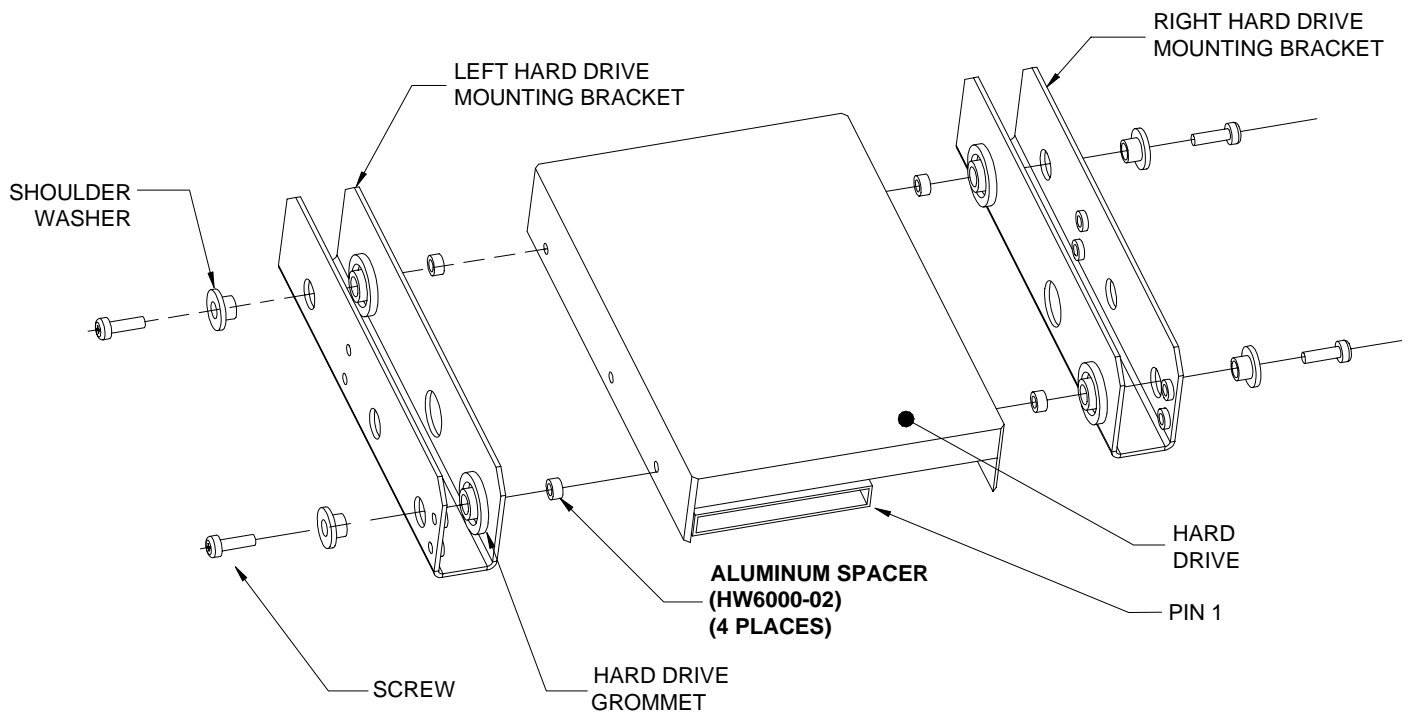


FIGURE 2 – HARD DRIVE ASSEMBLY PARTS/SPACER LOCATIONS