



TECHNICAL SERVICE BULLETIN

Date: 8/23/95

merit industries, inc.

- Problem:** Components on the monitor board burning out.
- Games affected:** All countertop games.
- Symptoms:** Frequent burn out of components on the monitor chassis.
- Cause:** Power surges from the AC line can burn out components on the monitor chassis.
- Solution:** Add a varistor (SA3207-01 for 120V models; SA3207-02 for 220V models) across the AC lines. Also, it is important that you **DO NOT REMOVE** the ground from the power cord and **MAKE SURE** the game is plugged into a grounded outlet. Narrow body countertop games (model G20-100-001) with Eygo monitors must have 1w resistors at R103 and R104. If you have a widebody countertop (model G20-100-003) you **DO NOT** need the resistor change; for the parts and service bulletin explaining how to do this, call Merit Customer Service at 1-800-445-9353.

Install the varistor between the AC lines on the power supply. See Figure 1. One lead from the varistor connects to AC1 and the other to AC2.

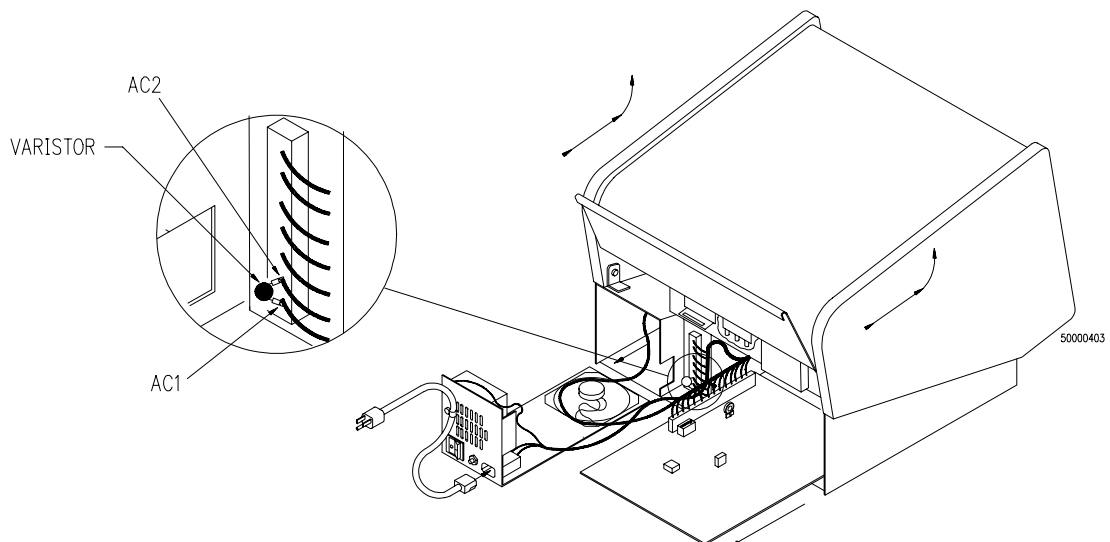


Figure 1 - Location of AC Lines for Installing