



TECHNICAL SERVICE BULLETIN

Date: 8/22/95

merit industries, inc.

- Problem:** Loose cashbox.
- Games affected:** All widebody countertops with loose cashboxes.
- Symptoms:** The cashbox can be moved while locked in place.
- Cause:** The bracket securing the cashbox in position cannot be properly adjusted.
- Solution:** Call Merit Customer Service at 1-800-445-9353 to order kit SA0004 for a new bracket and cashbox door.

Contents:

- | | |
|------------------------|---------------------------------|
| (2) screws (HW3780-02) | (1) cashbox door (MW5153-01-0A) |
| (2) washers (HW5250) | (1) bracket (MW5156-01) |

Instructions for Replacing the Cashbox Lock Bracket and Rear Door:

1. Unlock and remove the coin mech/cashbox.
2. Remove the cashbox door.
3. Remove the lock from the existing cashbox door and install it on the new door.
4. Remove the bracket from the inside wall of the coin mech/cashbox section. You may have to remove the lid (top cover) from the chassis to access the bracket; see your owner's manual for instructions.
5. Install the new bracket inside the coin mech/cashbox section. You may have to adjust the bracket to get the best possible fit.
6. Put the coin mech/cashbox back into the cabinet and lock it.

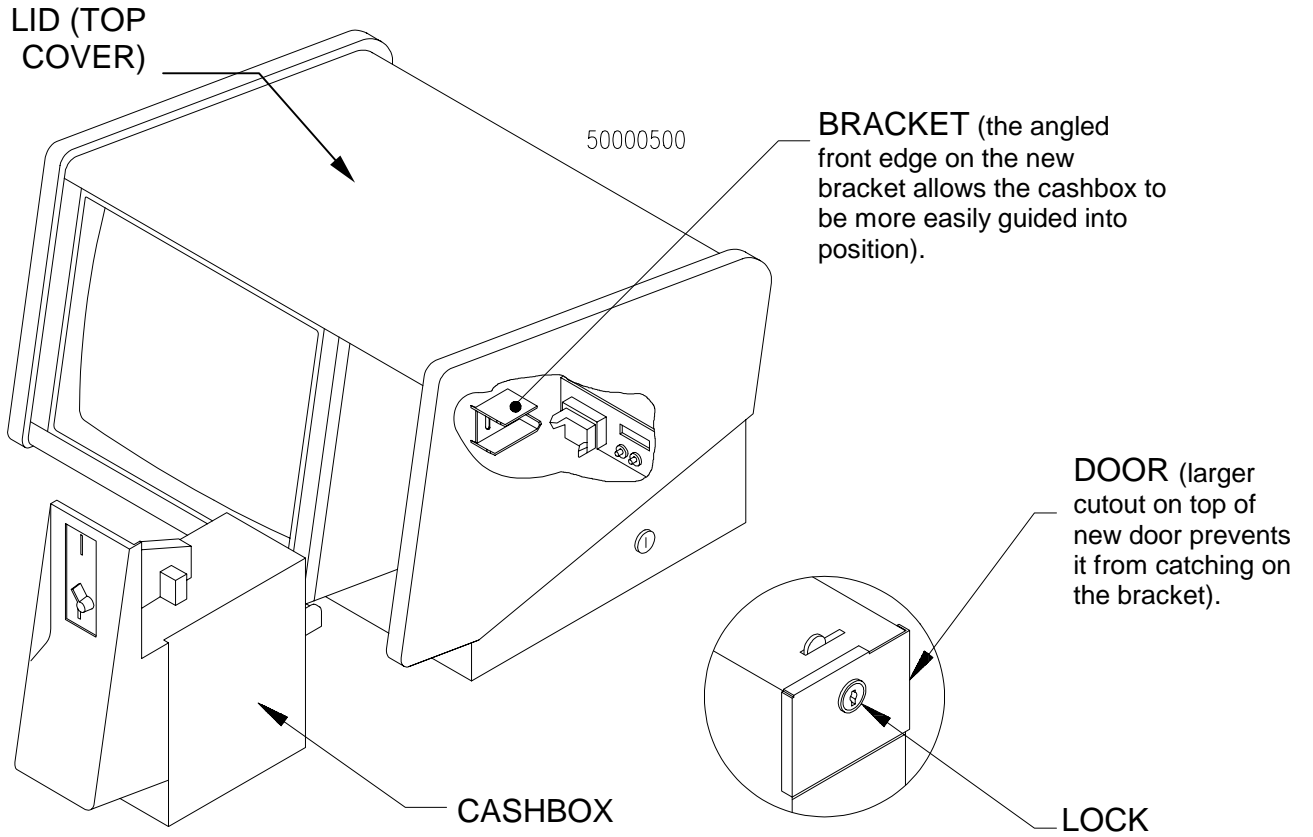


Figure 1 - Location of Cashbox Bracket and Door