



merit industries, inc.

FIELD BULLETIN

Date: 5-16-96

Re: Supplier has changed touchscreen controllers.

Microtouch has introduced a new touchscreen controller: the SMT-3. Starting the first week of June 1996, all Merit touchscreen games will be manufactured using the SMT-3 controller.

No retrofit is required for games in the field. For service reasons, however, the new part is backwards-compatible, making for easy installation if a replacement controller is required for an older touchscreen game.

To replace an existing TTL/CRT-266 touchscreen controller assembly with the new SMT-3 controller, you will need the SMT-3 control module (P/N EC9840) and a MAX232 chip (P/N SC3873). Follow the instructions below to install the SMT-3.

1. Turn off and unplug the game.
2. Open the CPU section door and slide the CRT-260 into its service position.
3. Disconnect the touchscreen cable from the CRT-266 daughter board.
4. Disconnect the ribbon cable from the J6 header on the CRT-260 board. See Figure 1.
5. Disconnect all ground straps attached to the TTL/CRT-266 daughter board assembly.
6. Remove the TTL/CRT-266 assembly from its standoffs.
7. Install the MAX232 chip at U39 (located next to the J5, RS232 connector on the edge of the board). See Figure 1. Make sure to align the notch in the chip with the notch in the socket.
8. Remove the polarizing key from Pin 7 of the touchscreen cable connector (this step may require the use of tweezers).
9. Connect the touchscreen cable to the SMT-3 controller.
10. Install the SMT-3 controller.

13" Countertop:

- Remove the lid assembly. (To remove the top of the machine, unlock and open the rear door. Locate the thumb screws on each side of the monitor

shelf. Remove the screws from each side; then, push forward on the top. Pull upwards on the top to remove it from the chassis).

- Install the new controller on the inside of the metal chassis as shown in Figure 2 and Detail A. Mount the SMT-3 using the included screws and washers. (The screws should come through the hole in the chassis (so that the head of the screw is between the metal chassis and the side of the lid), and then through the holes in the controller.) See Detail A for installation diagram.
- Connect the green wire from the touchscreen cable to one of the mounting screws, shown in Detail A.
- Connect the gray wire, from the touchscreen cable, to the power supply ground. Connect the orange wire to +12 volts on the power supply.

13" Cabaret/19" Upright:

- Install the new controller on the inside wall of the cabinet, as shown in Figures 3 and 4, approximately 20-22" above the power entry.
 - Connect the green wire from the touchscreen cable to one of the mounting screws.
 - Attach one end the ground braid to the same mounting screw and attach the other end to a mounting screw for the power entry. (19" Upright: run the ground braid down the side of the cabinet (as shown in Figure 4), so that it does not interfere with the movement of the PC shelf.)
 - In all cases, make sure that the gray, green and orange wires attached to the touchscreen cable connector are not trapped behind the SMT-3.
 - Connect the 3-pin male, Molex connector (from the SMT-3 controller) to the 3-pin female Molex connector attached to the main harness.
11. Connect the cable from the SMT-3 to J5 (RS232 connector) on the CRT-260 board. See Figure 1.
 12. Slide the CRT-260 back into the cabinet and close the CPU section door.
 13. Plug in the game and power up.

For more information, contact Merit Customer Service at 1-800-445-9353.

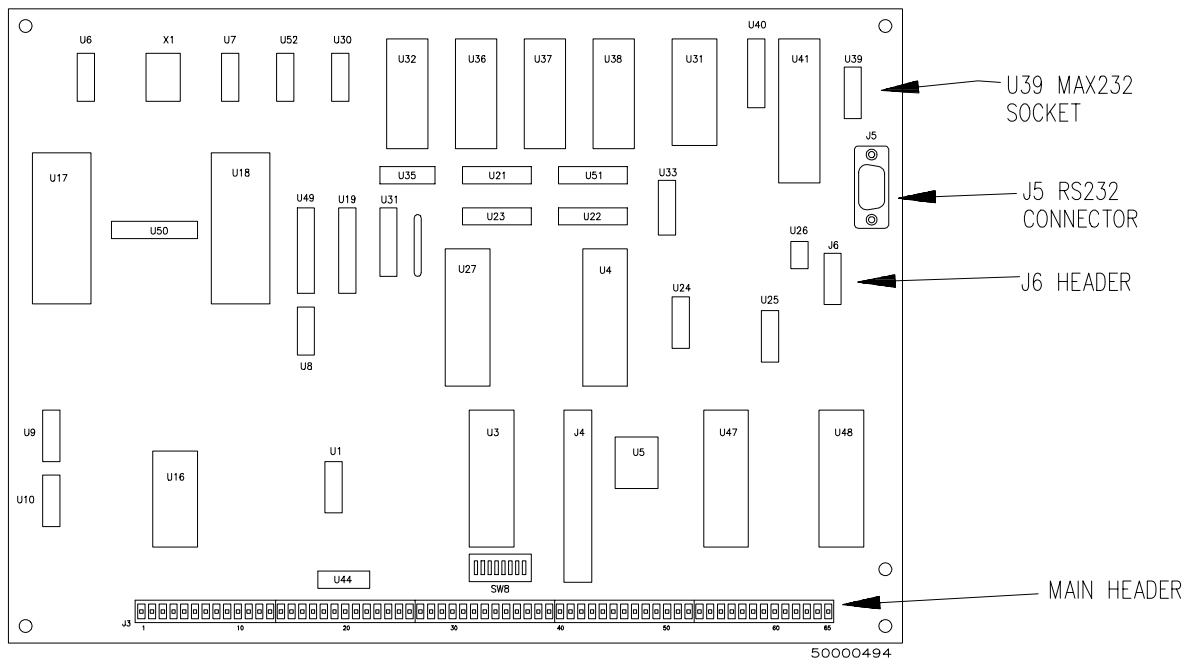


Figure 1 - CRT-260 Reference Diagram

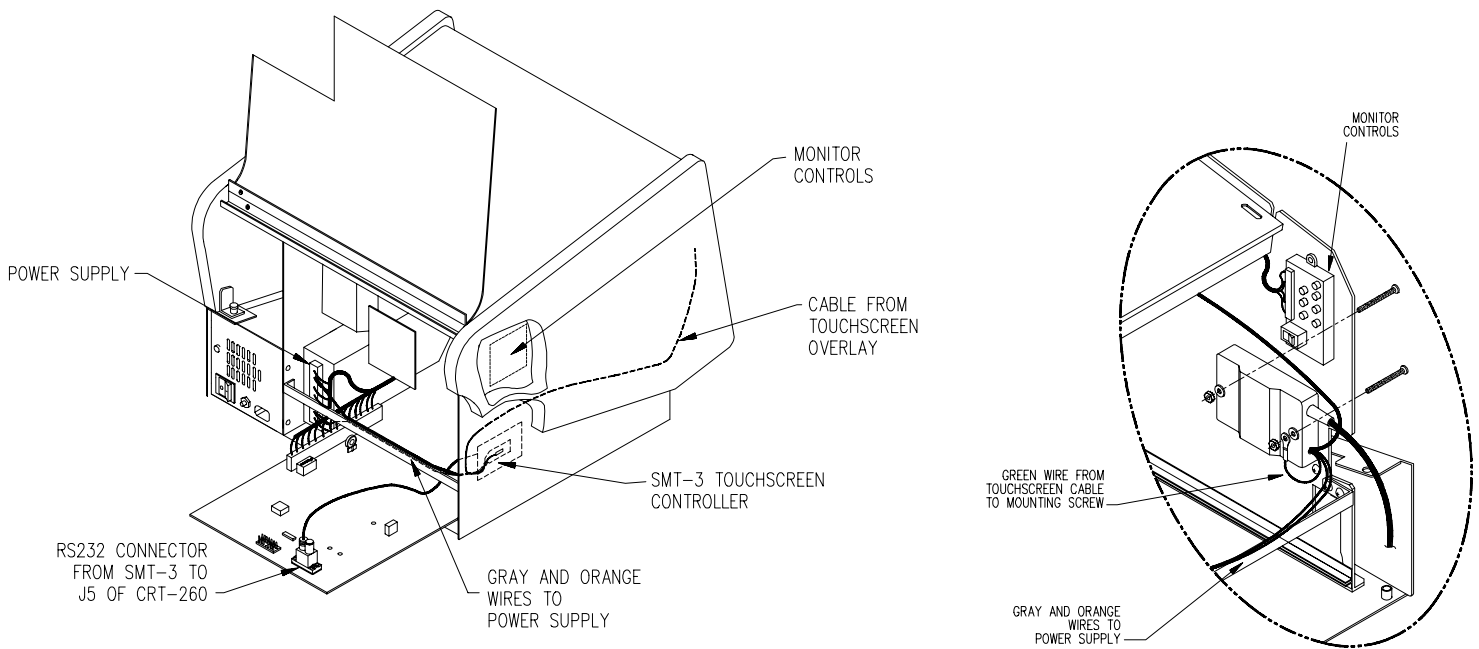


Figure 2 - Location of SMT-3 13" Countertop

Detail A - Installation diagram

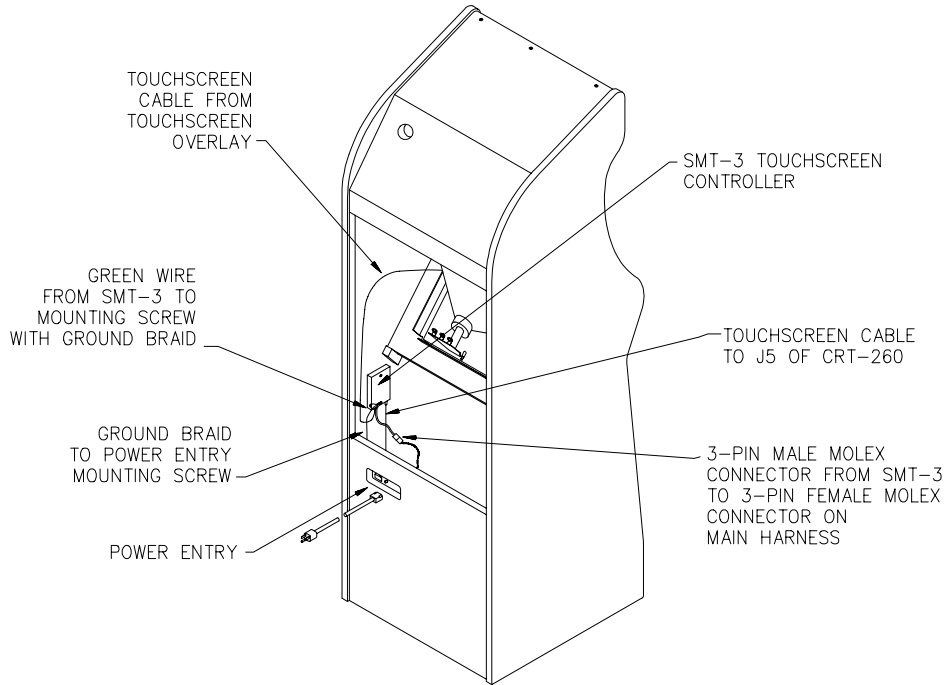


Figure 3 - Location of SMT-3 13" Cabaret

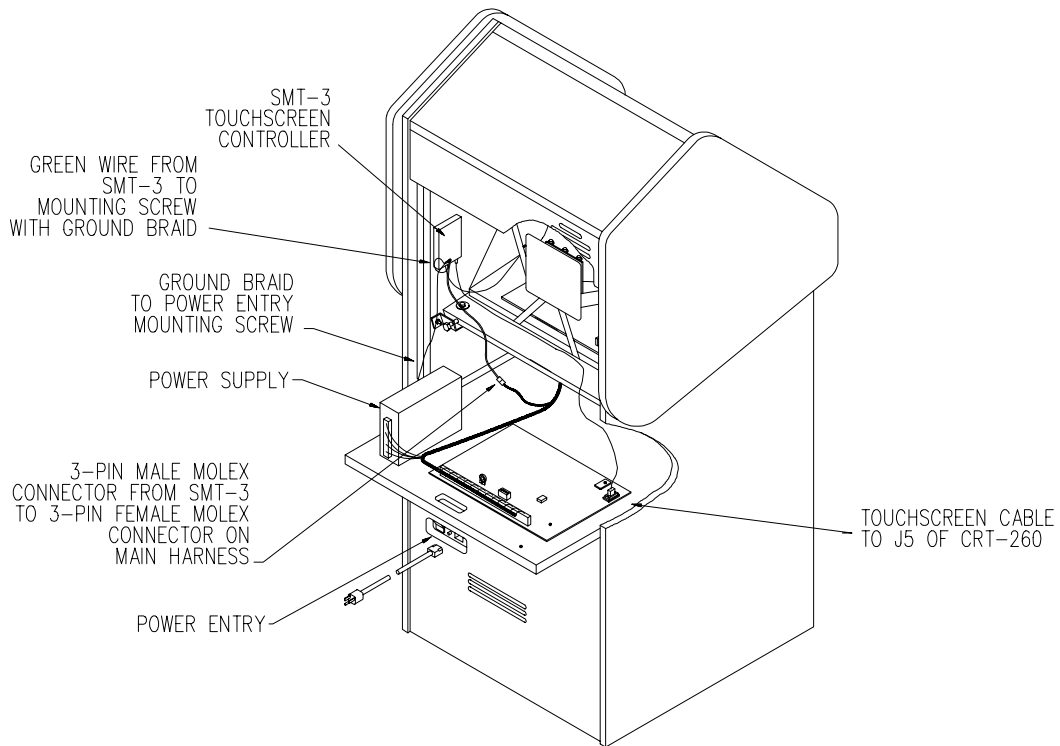


Figure 4 - Location of SMT-3 19" Upright